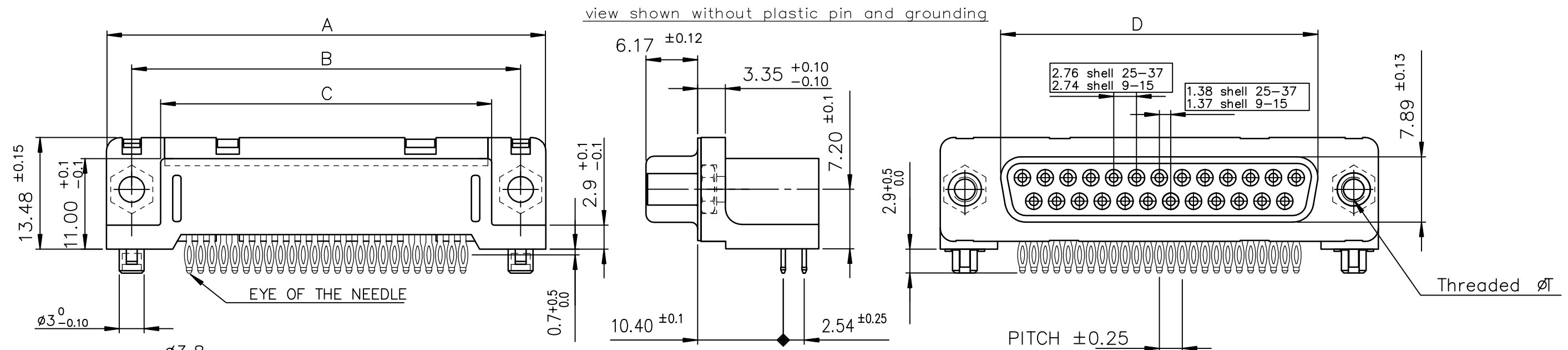
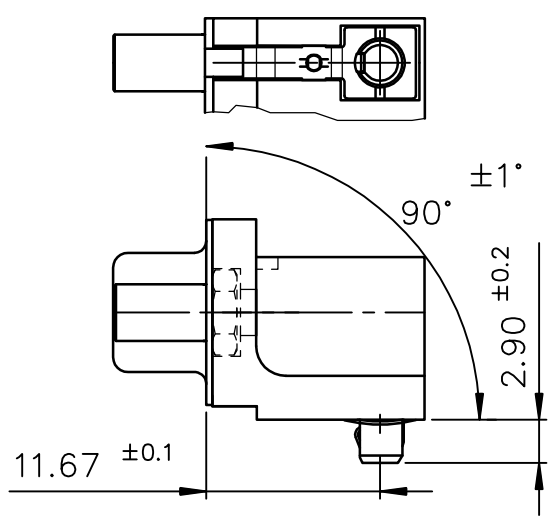


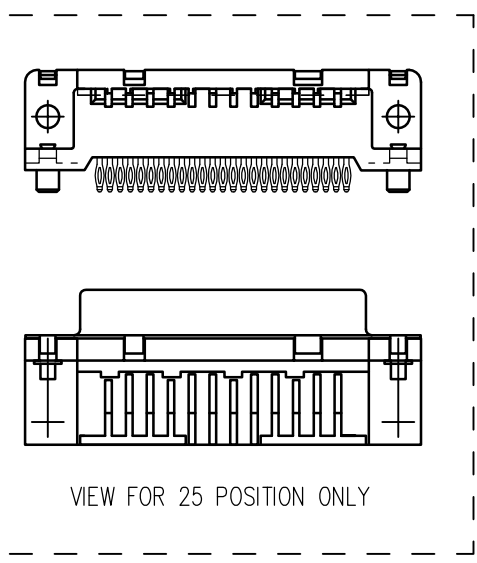
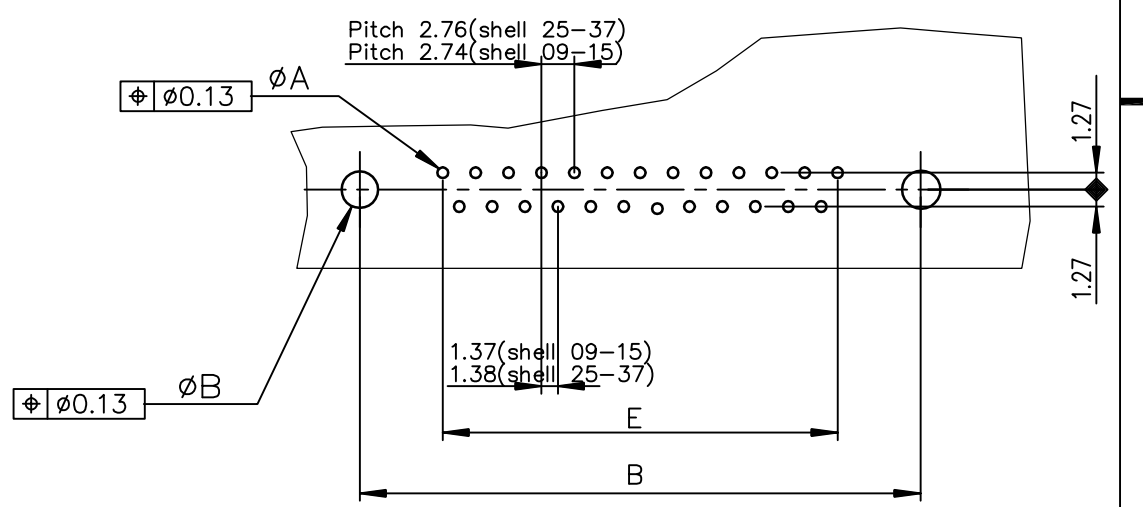
view shown without plastic pin and grounding



Detail of grounding strip



PC card drilling dimensions(after plating)
(thickness 1.60 ±0.20)



GENERAL CHARACTERISTICS AND ROHS INFORMATIONS:
SEE DRAWING C01-8646-0001

LEAD FREE PART NUMBER

SHELL	A±0.38	B±0.12	C±0.10	D±0.25	E±0.07	PART NUMBER	PART NUMBER
09	30.81	24.99	18.00	16.21	10.96	D09S81C4G*00LF	D09S81C6G*00LF
15	39.14	33.32	26.32	24.54	19.18	D15S81C4G*00LF	D15S81C6G*00LF
25	53.03	47.04	40.04	38.25	33.12	D25S81C4G*00LF	D25S81C6G*00LF
37	69.32	63.50	56.50	54.71	49.68	D37S81C4G*00LF	D37S81C6G*00LF

Gold flash 0.76 µ gold/GxT

Threaded ØT M3 = I
Threaded ØT 4.40 = V

mat'l. code				surface ISO 1302 ✓		tolerance ISO 406 ISO 1101		projection		product family D-SUB	
-				tolerances unless otherwise specified		.0±0.3		MM		title	
J ELX-I-18050 MP 2014/06/23				angles linear		.00±0.1		scale 2:1		FEMALE CONNECTOR DELTA-D EUROPE RIGHT ANGLED PRESS FIT	
K ELX-I-33101 GM 2019-04-01				0°±2'		.000±0.05				dwg no sheet 1 of 1 size	
L ELX-I-34612 GM 2019-20-08				dr PESSON 1997/10/15		enrg GREGAR M 2019-04-01		Amphenol FCI		C01-8646-0544 A3	
				chr MITHUN PAUL 2019-20-08		appd SANJOJ P K 2019-20-08				type Product Customer Drawing	
sheet index		revision sheet		L 1							