

D-SUB ~ RIGHT ANGLE

DNRL SERIES

13.84/14.99mm Footprint

MATERIAL

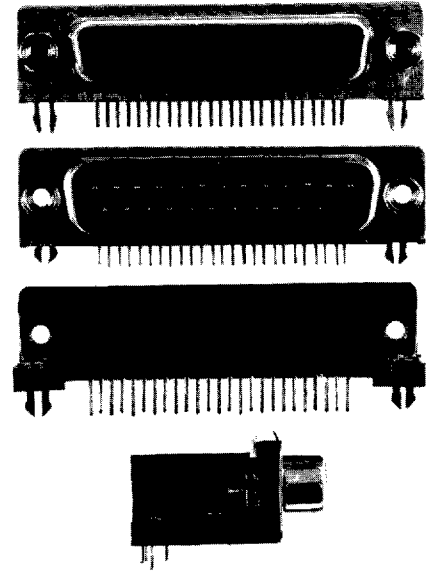
Insulator: Black PBT (UL 94V-0)
 Contact: Copper Alloy
 Contact Plating: Gold Over Nickel (see "Plating Option" below)
 Shell: Steel, with Tin Plating
 Hardware Plating: Jackscrew and Clinch Nut ~ Nickel Over Brass
 L Bracket and Board Locks ~ Tin Over Brass

SPECIFICATIONS

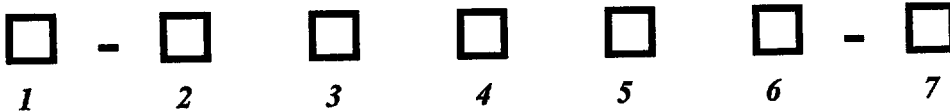
Current Rating: 5A
 Insulator Resistance: 1000 MΩ Min at 500V DC
 Voltage Rating: 1000V for one minute
 Operating Temperature: -55°C - +105°C

FEATURES

- ♦ Industry standard "Long" 590" footprint
- ♦ Will mate to industrial standard "D" subminiature connectors
- ♦ Can be directly installed over the PCB trace pattern with no shorting
- ♦ Shielding system helps to reduce EMI/RFI emissions from other electronic equipments
- ♦ Special hardware options available (see "Mounting/Board Lock Option" below)
- ♦ **Mating Series:** DN, DNS, DNP, DNC, DNR, DNRI, DNRL, DNDP, DNF



HOW TO ORDER:



1. SERIES

DNRL = D-Sub, Right Angle
 (13.84/14.99mm Footprint)

5. BOARD LOCK OPTION*

1 = Board Locks Exiting Second Hole Set - Standard
 (Long Body Only)
 2 = Board Locks Exiting First Hole Set

2. POSITION

09 = 9 Position
 15 = 15 Position
 25 = 25 Position
 37 = 37 Position

6. BODY LENGTH*

A = Long Body (Standard)
 B = Short Body

3. GENDER

P = Plug (Male)
 S = Socket (Female)

**NOTE: For illustrations of 4, see page 30.
 For 5 and 6, see page 31.*

4. MOUNTING OPTION*

JL = Jack Screw with L Bracket
 JB = Jack Screw with Board Lock
 CL = Clinch Nut (4-40) with L Bracket
 CB = Clinch Nut (4-40) with Board Lock
 CJL = Clinch Nut (4-40) and Jack Screw with L Bracket
 CJB = Clinch Nut (4-40) and Jack Screw with Board Lock

7. PLATING OPTION

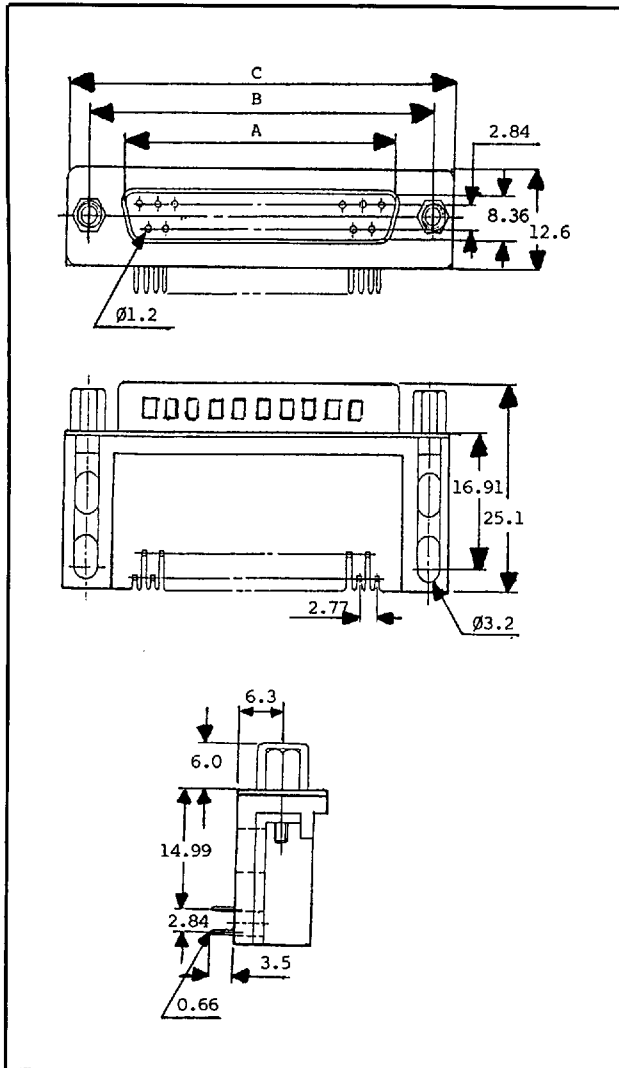
SG = Selective Gold Flash
 SG15 = Selective Gold, 15μ"
 SG30 = Selective Gold, 30μ"
 SG50 = Selective Gold, 50μ"
 G = Full Gold Flash
 G15 = Full Gold, 15μ"
 G30 = Full Gold, 30μ"

D-SUB ~ RIGHT ANGLE
13.84/14.99mm Footprint

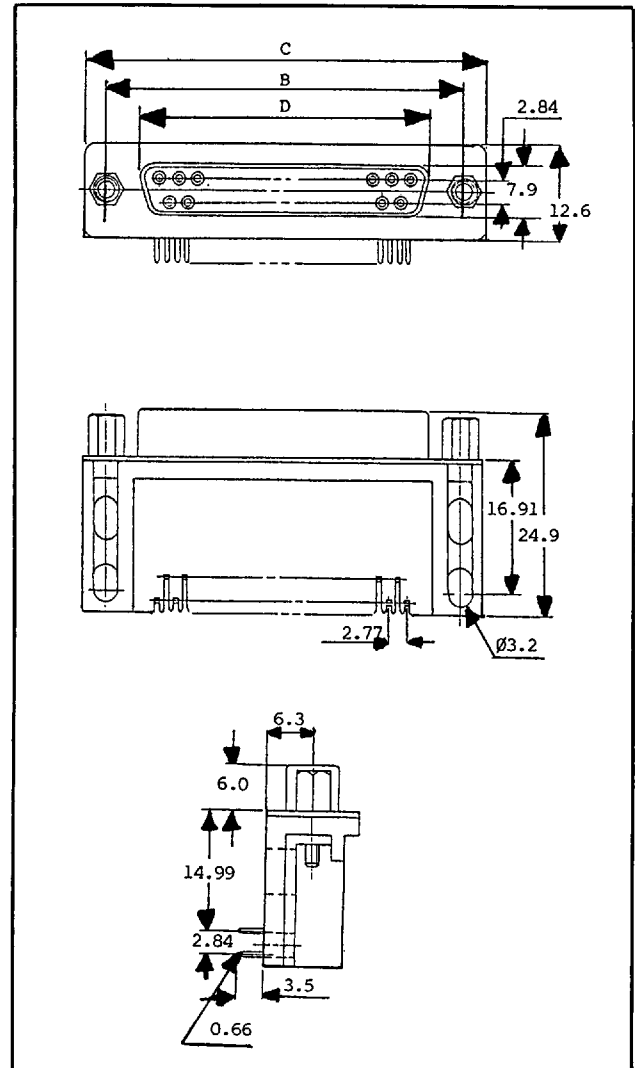
DNRL SERIES

SPECIFICATIONS:

MALE



FEMALE



DIMENSIONS:

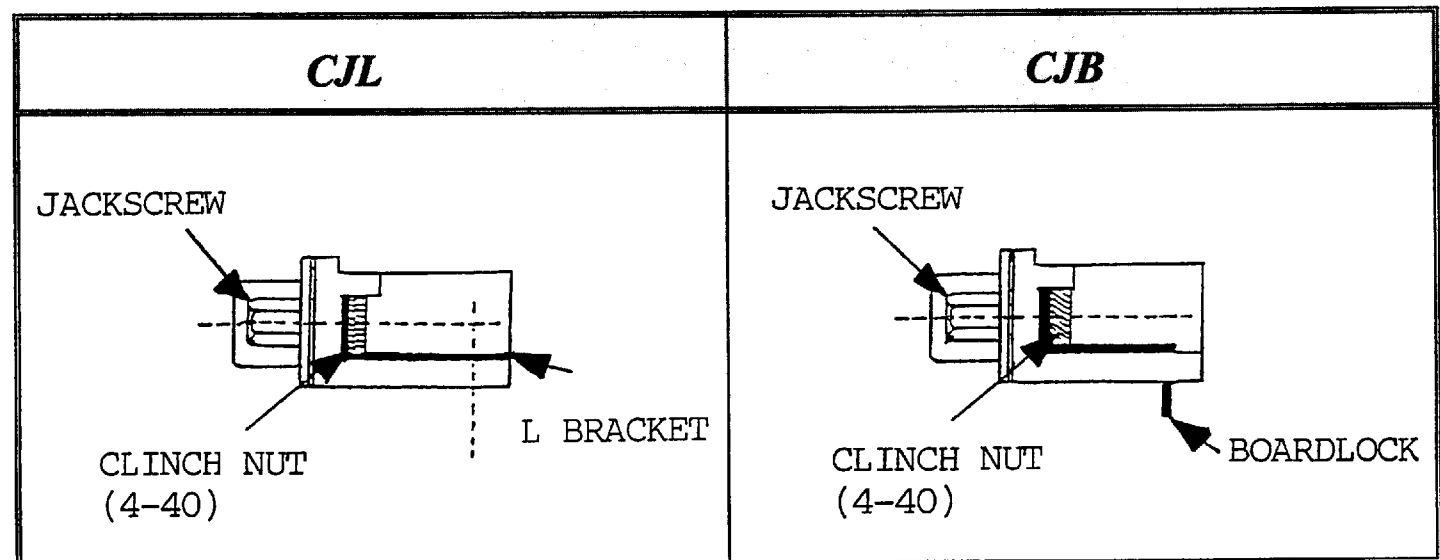
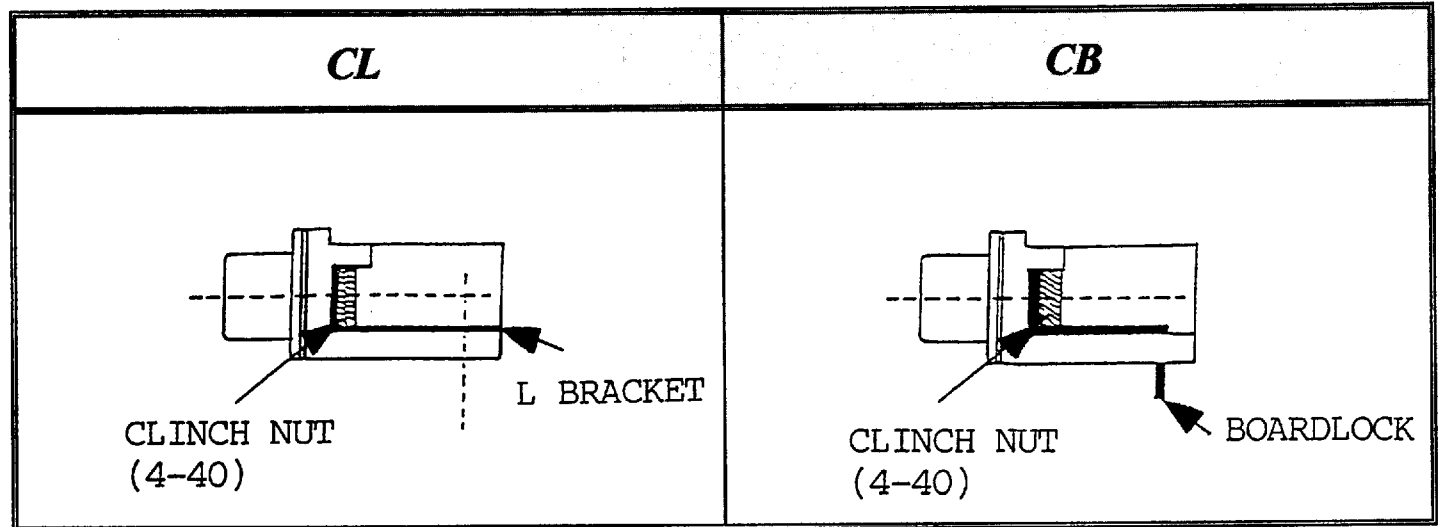
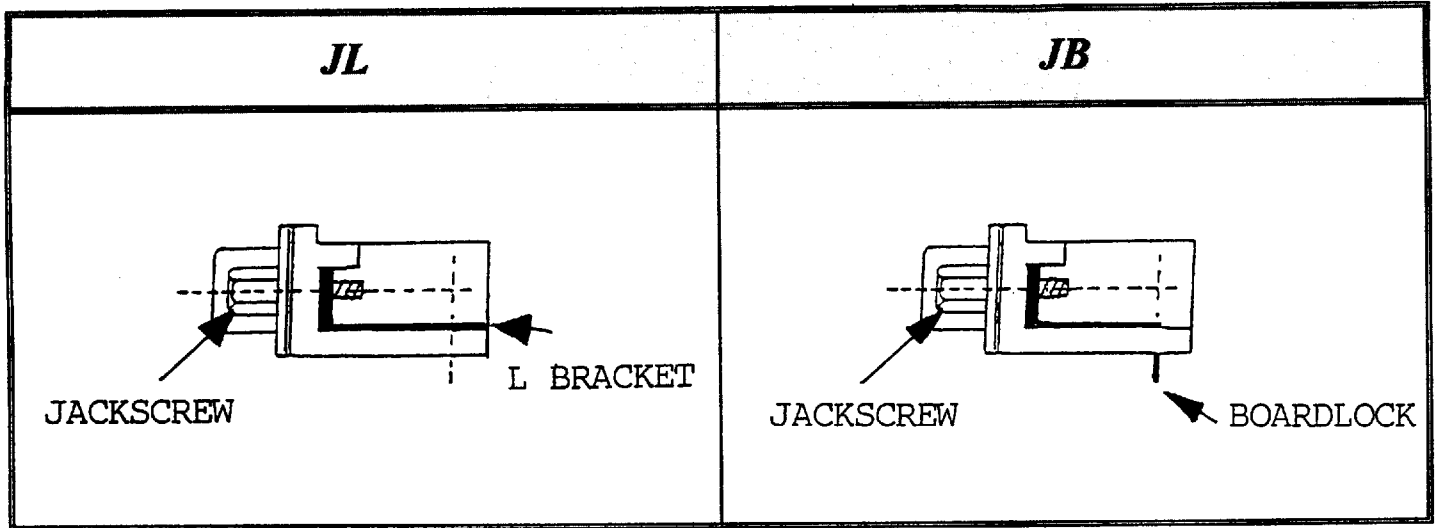
| POSITION | A | B | C | D |
|----------|-------|-------|-------|-------|
| 9 | 16.96 | 30.80 | 24.99 | 16.26 |
| 15 | 25.24 | 39.10 | 33.32 | 24.59 |
| 25 | 39.01 | 53.00 | 47.04 | 38.30 |
| 37 | 55.47 | 69.30 | 63.50 | 54.76 |

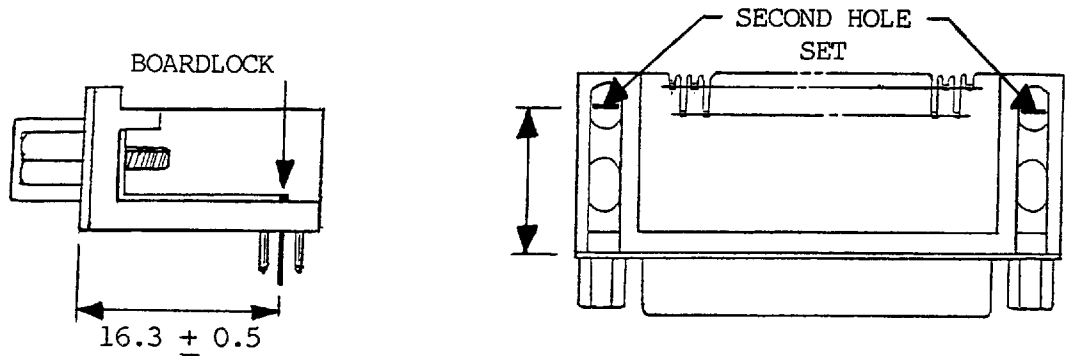
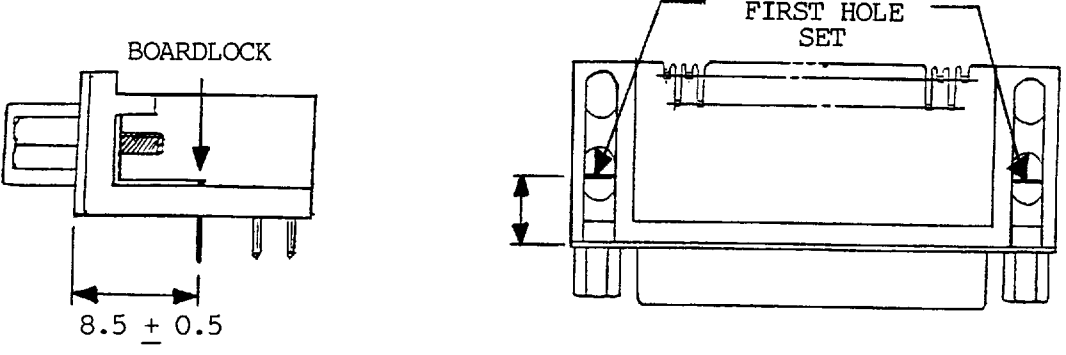
ENGINEERS: For detailed Data Sheets, including *tolerances*, see pages 157 & 159 or call us!

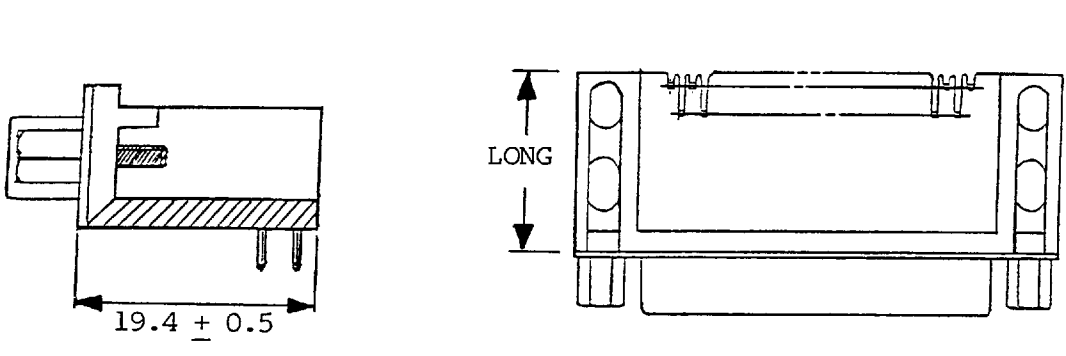
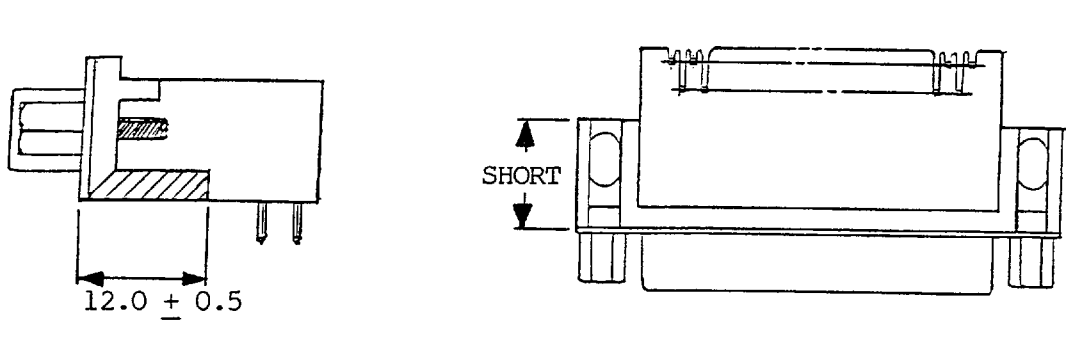
MOUNTING OPTIONS

RIGHT ANGLE D-SUBS

***SERIES: DNR, DNRI, DNRL, DNHR, DNDP**



| OPTION | BOARD LOCK OPTION |
|--------|--|
| 1 |  <p>BOARDLOCK</p> <p>16.3 ± 0.5</p> <p>SECOND HOLE SET</p> |
| 2 |  <p>BOARDLOCK</p> <p>8.5 ± 0.5</p> <p>FIRST HOLE SET</p> |

| OPTION | BODY LENGTH |
|--------|---|
| A |  <p>19.4 ± 0.5</p> <p>LONG</p> |
| B |  <p>12.0 ± 0.5</p> <p>SHORT</p> |

ENGINEERS: For detailed Data Sheets, including *tolerances*, see pages 157 & 159 or call us!