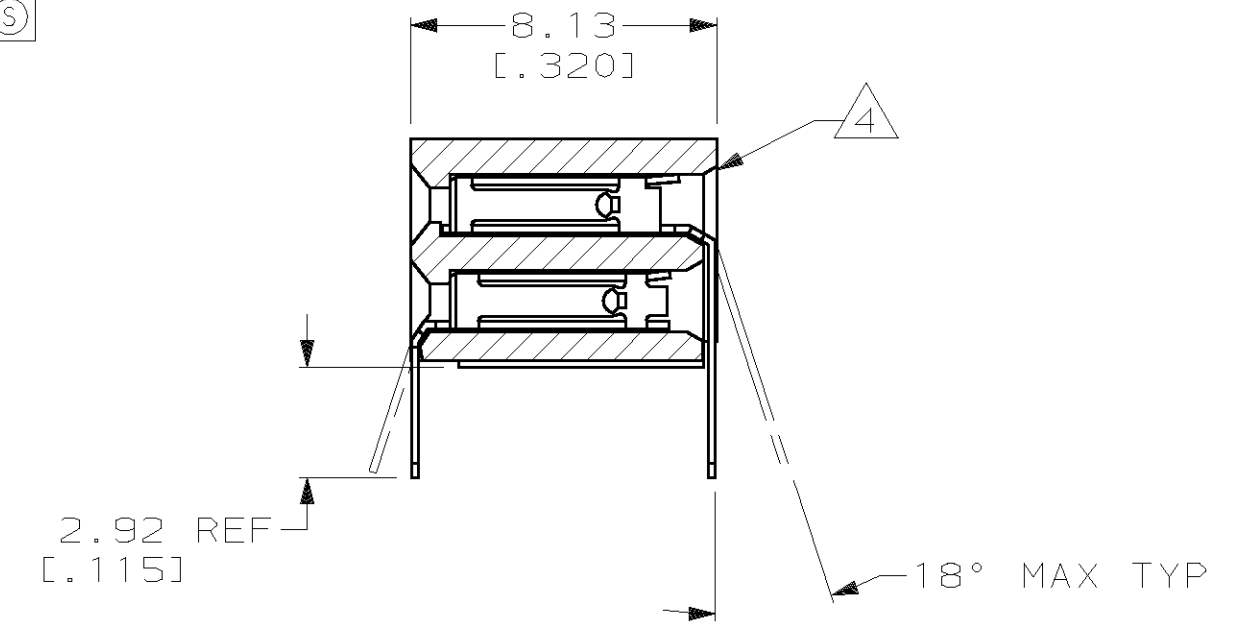
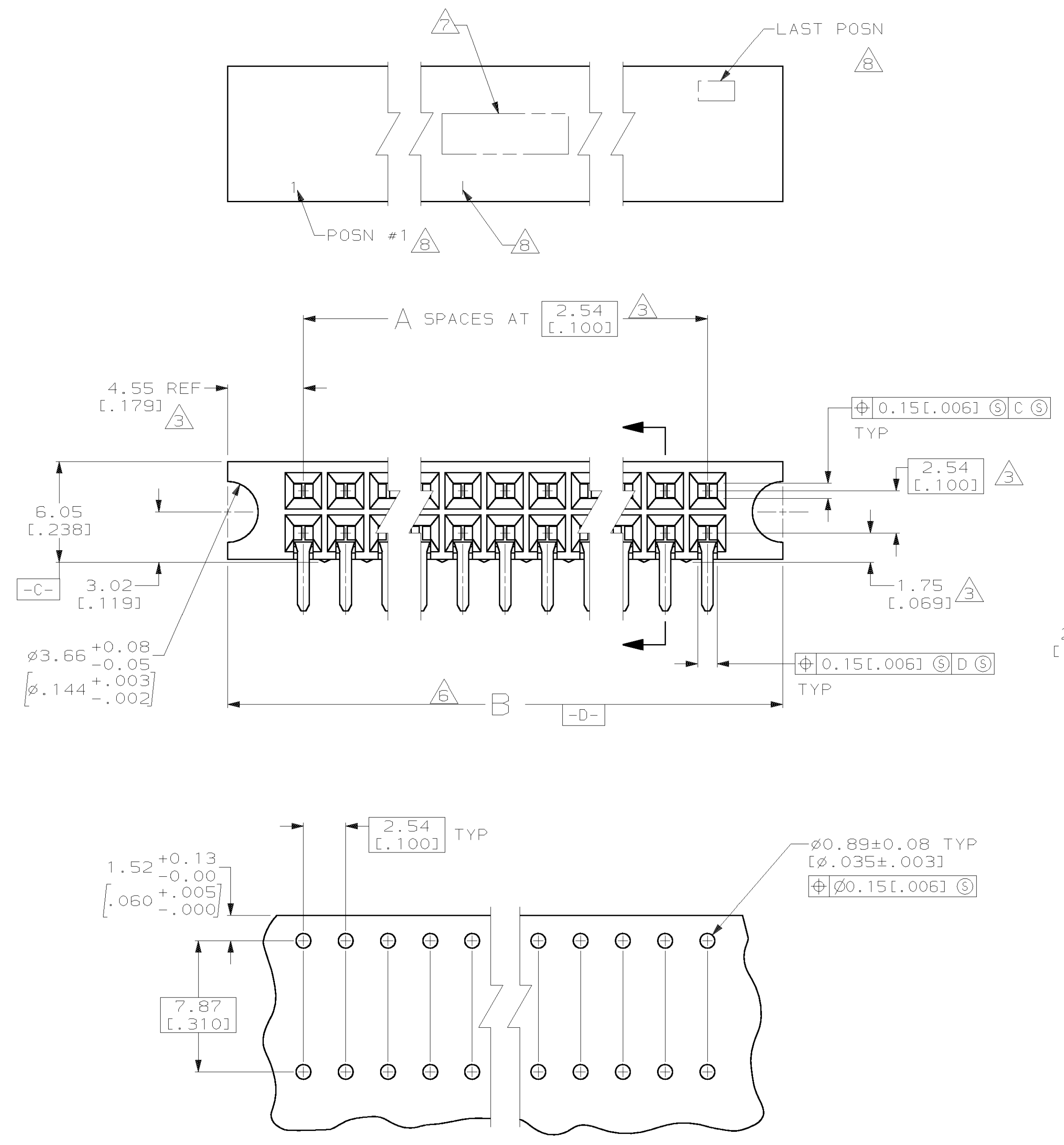


REVISIONS								
LOC	DIST	P	F	ZONE	LTR	DESCRIPTION	DATE	APPD
				C		REDRAWN AND REV PER AD5392	5-1-91	DD
				D		REVISE PER ECN AD5303	6-13-91	-
				E		REV PER 0600-5131-96 TA	11-11-96	GA
				F		REV PER 0600-8506-99 JEB	2-16-00	DM

1. QUALITY CONFORMANCE INSPECTION PER MIL-C-55302 (GROUP A, B & C).
2. PACKAGED PER MIL-C-55302
3. THESE DIMENSIONS PERTAIN TO CAVITY CENTERLINES ONLY, NOT TO CONTACT LOCATIONS.
4. SLOT OPTIONAL AT INDICATED AREA OF HOUSING.
5. CONTACTS: 0.00127[.000050] GOLD OVER 0.000762 TO .00381 [0.000030 TO .000150] NICKEL ENTIRE CONTACT.
6. TOLERANCE TO CENTER OR RADIUS IS ± 0.15 [.006], TO END OF BLOCK ± 0.51 [.020].
7. MARK IN APPROXIMATE AREA SHOWN
 EXAMPLE: AMP PART NO
 DATE CODE MILITARY PART NUMBER
8. CHARACTERS MARKED IN AREA SHOWN, EVERY FIFTH POSITION MARKED WITH A BAR
9. "CSA" LOGO MARKED ON HOUSING.



M55302/128-DL2B	158.95 [6.258]	59	120	1-102193-1
M55302/128-DA2B	133.55 [5.258]	49	100	1-102193-0
M55302/128-CG2B	108.15 [4.258]	39	80	102193-9
M55302/128-BH2B	70.05 [2.758]	24	50	102193-8
M55302/128-DB2B	136.09 [5.358]	50	102	102193-7
M55302/128-AM2B	39.57 [1.558]	12	26	102193-6
M55302/128-AK2B	34.49 [1.358]	10	22	102193-5
M55302/128-BN2B	82.75 [3.258]	29	60	102193-4
M55302/128-BK2B	75.13 [2.958]	26	54	102193-3
M55302/128-BM2B	80.21 [3.158]	28	58	102193-2
M55302/128-CJ2B	113.23 [4.458]	41	84	102193-1
MILITARY PART NUMBER	B	A	NO OF POSN	PART NUMBER

RECOMMENDED PC BOARD HOLE LAYOUT

DO NOT SCALE PRINT. UNLESS SPECIFIED DIMENSIONS IN mm [INCHES] TOLERANCES ON: 2 PLC DEC ± 0 3 PLC DEC ± 0.25 [.010] ANGLES $\pm -$	DR 5-1-91 J GALLUCCI BG CHK 6-10-91 KATE HELM APPD 6-10-91 DIRK DIXON	AMP Incorporated Harrisburg, PA 17105-3508 NAME ASSEMBLY, HOUSING, MOD II, 2.54[.100] DOUBLE ROW, WITH GUIDE PIN EARS, SHORT POINT CONTACTS		
MATERIAL HOUSING: POLYPHENYLENE SULFIDE, NATURAL CONTACTS: PH BRZ FINISH	APPD 6-10-91 DIRK DIXON PRODUCT SPEC APPLICATION SPEC			
	WEIGHT	SCALE 5:1	SHEET 1 OF 1	