

DM54LS298/DM74LS298 Quad 2-Port Register Multiplexer with Storage

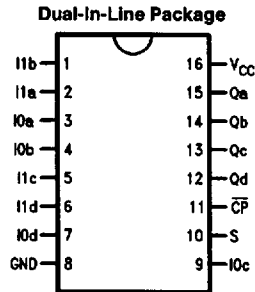
General Description

The 'LS298 is a quad 2-port register. It is the logical equivalent of a quad 2-input multiplexer followed by a quad 4-bit edge-triggered register. A Common Select input selects between two 4-bit input ports (data sources). The selected data is transferred to the output register synchronous with the HIGH-to-LOW transition of the Clock input.

Features

- Select from two data sources
- Fully edge-triggered operation
- Typical power dissipation of 65 mW

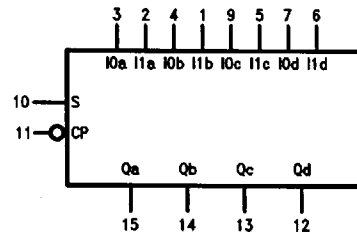
Connection Diagram



TL/F/9826-1

Order Number DM54LS298J, DM54LS298W,
DM74LS298M or DM74LS298N
See NS Package Number J16A, N16E or W16A

Logic Symbol



TL/F/9826-2

VCC = Pin 16
GND = Pin 8

Pin Names	Description
S	Common Select Inputs
CP	Clock Pulse Input (Active Falling Edge)
I0a, I0d	Source 0 Data Inputs
I1a, I1d	Source 1 Data Inputs
Qa, Qd	Flip-Flop Outputs

DM54LS298/DM74LS298 Quad 2-Port Register Multiplexer with Storage

Absolute Maximum Ratings (Note)

If Military/Aerospace specified devices are required, please contact the National Semiconductor Sales Office/Distributors for availability and specifications.


Supply Voltage	7V
Input Voltage	7V
Operating Free Air Temperature Range	
DM54LS	-55°C to +125°C
DM74LS	0°C to +70°C
Storage Temperature Range	-65°C to +150°C

Note: The "Absolute Maximum Ratings" are those values beyond which the safety of the device cannot be guaranteed. The device should not be operated at these limits. The parametric values defined in the "Electrical Characteristics" table are not guaranteed at the absolute maximum ratings. The "Recommended Operating Conditions" table will define the conditions for actual device operation.

Recommended Operating Conditions

Symbol	Parameter	DM54LS298			DM74LS298			Units
		Min	Nom	Max	Min	Nom	Max	
V _{CC}	Supply Voltage	4.5	5	5.5	4.75	5	5.25	V
V _{IH}	High Level Input Voltage	2			2			V
V _{IL}	Low Level Input Voltage			0.7			0.8	V
I _{OH}	High Level Output Current			-0.4			-0.4	mA
I _{OL}	Low Level Output Current			4			8	mA
T _A	Free Air Operating Temperature	-55		125	0		70	°C
t _s (H)	Setup Time HIGH or LOW	25			25			ns
t _s (L)	S to \overline{CP}	25			25			ns
t _h (H)	Hold Time HIGH or LOW	0			0			ns
t _h (L)	S to \overline{CP}	0			0			ns
t _s (H)	Setup Time HIGH or LOW	15			15			ns
t _s (L)	I _{0x} or I _{1x} to \overline{CP}	15			15			ns
t _h (H)	Hold Time HIGH or LOW	5.0			5.0			ns
t _h (L)	I _{0x} or I _{1x} to \overline{CP}	5.0			5.0			ns
t _w (H)	\overline{CP} Pulse Width HIGH or LOW	20			20			ns
t _w (L)		20			20			ns

Electrical Characteristics over recommended operating free air temperature range (unless otherwise noted)

Symbol	Parameter	Conditions	Min	Typ (Note 1)	Max	Units
V _I	Input Clamp Voltage	V _{CC} = Min, I _I = -18 mA			-1.5	V
V _{OH}	High Level Output Voltage	V _{CC} = Min, I _{OH} = Max, V _{IL} = Max	DM54 2.5			V
			DM74 2.7	3.4		
V _{OL}	Low Level Output Voltage	V _{CC} = Min, I _{OL} = Max, V _{IH} = Min	DM54		0.4	V
			DM74	0.35	0.5	
		I _{OL} = 4 mA, V _{CC} = Min	DM74	0.25	0.4	
I _I	Input Current @ Max Input Voltage	V _{CC} = Max, V _I = 7V V _I = 10V	DM74		0.1	mA
I _{IH}	High Level Input Current	V _{CC} = Max, V _I = 2.7V			20	μA
I _{IL}	Low Level Input Current	V _{CC} = Max, V _I = 0.4V			-0.4	mA
I _{OS}	Short Circuit Output Current	V _{CC} = Max (Note 2)	DM54 -20		-100	mA
			DM74 -20		-100	
I _{CC}	Supply Current	V _{CC} = Max, I _{0n} , I _{1n} , S = GND, \overline{CP} = 			21	mA

Note 1: All typicals are at V_{CC} = 5V, T_A = 25°C.

Note 2: Not more than one output should be shorted at a time, and the duration should not exceed one second.

Switching Characteristics

at $V_{CC} = +5V$ and $T_A = +25^\circ C$

Symbol	Parameter	$R_L = 2\ k\Omega, C_L = 15\ pF$		Units
		Min	Max	
t_{PLH}	Propagation Delay Time Low to High Level Output \overline{CP} to Q_n		25	ns
t_{PHL}	Propagation Delay Time High to Low Level Output \overline{CP} to Q_n		25	ns

Functional Description

This device is a high speed quad 2-port register. It selects four bits of data from two sources (ports) under the control of a Common Select input (S). The selected data is transferred to the 4-bit output register synchronous with the HIGH-to-LOW transition of the Clock input (\overline{CP}). The 4-bit output register is fully edge-triggered. The Data inputs (I_{nx}) and Select input (S) need be stable only one setup time prior to the HIGH-to-LOW transition of the clock for predictable operation.

Truth Table

S	Inputs		Output
	$I0_x$	$I1_x$	Q_x
l	l	X	L
l	h	X	H
h	X	l	L
h	X	h	H

l = LOW Voltage Level one setup time prior to the HIGH-to-LOW clock transition.

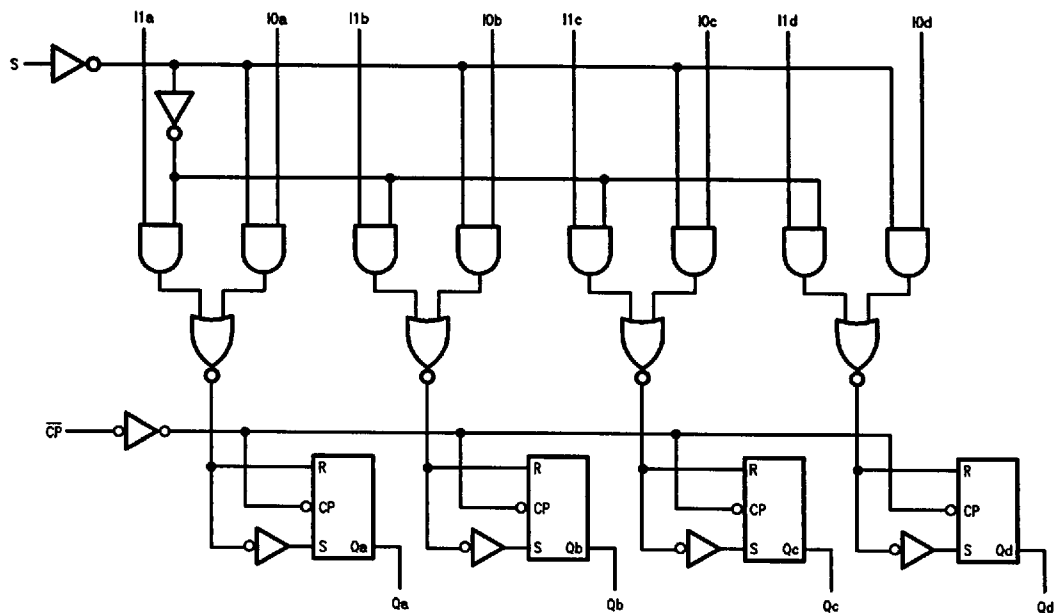
h = HIGH Voltage Level one setup time prior to the HIGH-to-LOW clock transition.

H = HIGH Voltage Level

L = LOW Voltage Level

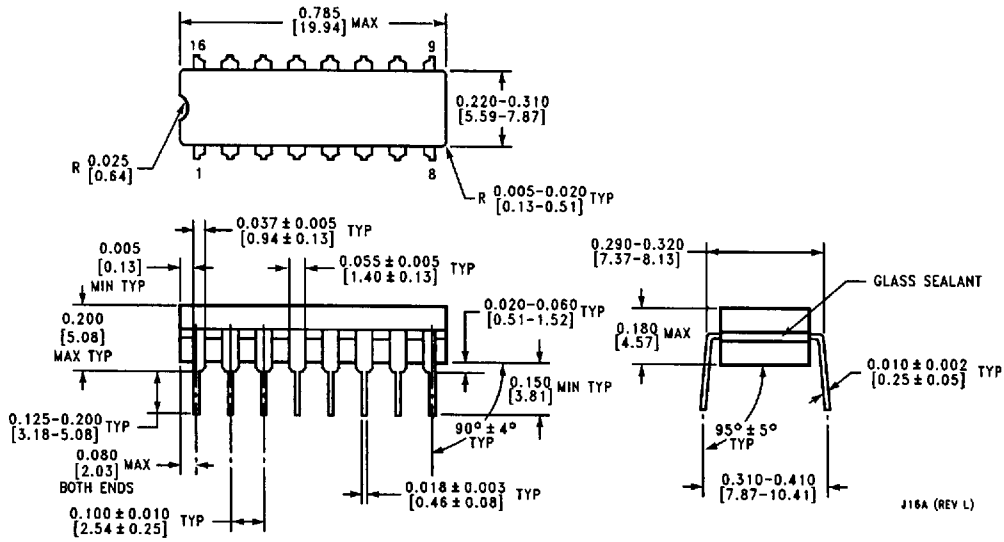
X = Immaterial

Logic Diagram



TL/F/9826-3

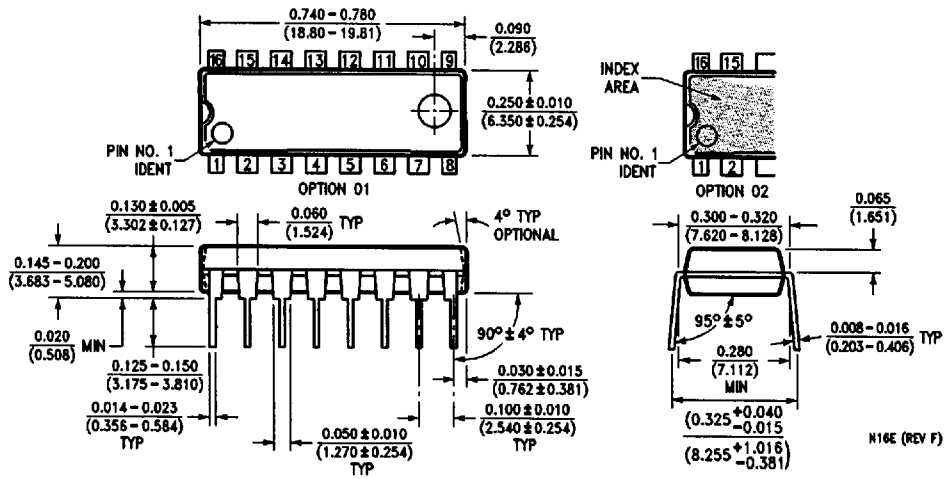
Physical Dimensions inches (millimeters)



16-Lead Ceramic Dual-In-Line Package (J)
Order Number DM54LS298J
NS Package Number J16A

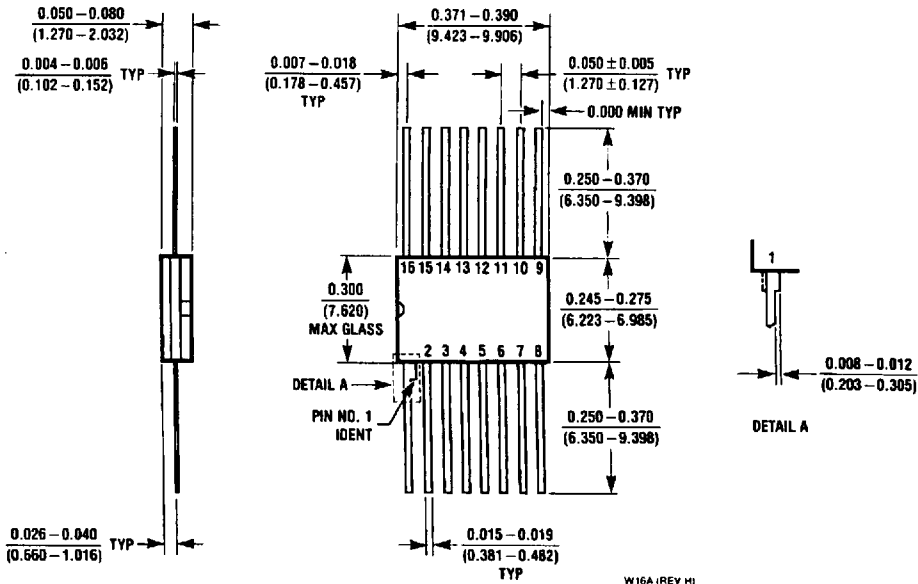
J16A (REV L)

Physical Dimensions inches (millimeters) (Continued)



16-Lead Molded Dual-in-Line Package (N)
Order Number DM74LS298N
NS Package Number N16E

Physical Dimensions inches (millimeters) (Continued)



16-Lead Ceramic Flat Package (W)
Order Number DM54LS298W
NS Package Number W16A

LIFE SUPPORT POLICY

NATIONAL'S PRODUCTS ARE NOT AUTHORIZED FOR USE AS CRITICAL COMPONENTS IN LIFE SUPPORT DEVICES OR SYSTEMS WITHOUT THE EXPRESS WRITTEN APPROVAL OF THE PRESIDENT OF NATIONAL SEMICONDUCTOR CORPORATION. As used herein:

1. Life support devices or systems are devices or systems which, (a) are intended for surgical implant into the body, or (b) support or sustain life, and whose failure to perform, when properly used in accordance with instructions for use provided in the labeling, can be reasonably expected to result in a significant injury to the user.
2. A critical component is any component of a life support device or system whose failure to perform can be reasonably expected to cause the failure of the life support device or system, or to affect its safety or effectiveness.



National Semiconductor Corporation
 1111 West Bardin Road
 Arlington, TX 76017
 Tel: 1(800) 272-9959
 Fax: 1(800) 737-7018

National Semiconductor Europe
 Fax: (+49) 0-180-530 85 86
 Email: cnjwge@tevm2.nsc.com
 Deutsch Tel: (+49) 0-180-530 85 85
 English Tel: (+49) 0-180-532 78 32
 Français Tel: (+49) 0-180-532 93 58
 Italiano Tel: (+49) 0-180-534 16 80

National Semiconductor Hong Kong Ltd.
 13th Floor, Straight Block,
 Ocean Centre, 5 Canton Rd.
 Tsimshatsui, Kowloon
 Hong Kong
 Tel: (852) 2737-1600
 Fax: (852) 2736-9960

National Semiconductor Japan Ltd.
 Tel: 81-043-299-2309
 Fax: 81-043-299-2408

National does not assume any responsibility for use of any circuitry described, no circuit patent licenses are implied and National reserves the right at any time without notice to change said circuitry and specifications.