

**2.5V 16-Bit Transparent D-Type Latch with 3-State Outputs**

**Product Features**

- PI74AVC+16373 is designed for low voltage operation,  $V_{CC} = 1.65V$  to  $3.6V$
- True  $\pm 24mA$  Balanced Drive @  $3.3V$
- Compatible with Philips and T.I. AVC Logic family
- $I_{OFF}$  supports partial power-down operation
- $3.6V$  I/O Tolerant inputs and outputs
- All outputs contain a patented DDC (Dynamic DriveControl) circuit that reduces noise without degrading propagation delay.
- Industrial operation at  $-40^{\circ}C$  to  $+85^{\circ}C$
- Available Packages:
  - 48-pin 240-mil wide plastic TSSOP
  - 48-pin 173-mil wide plastic TVSOP

**Product Description**

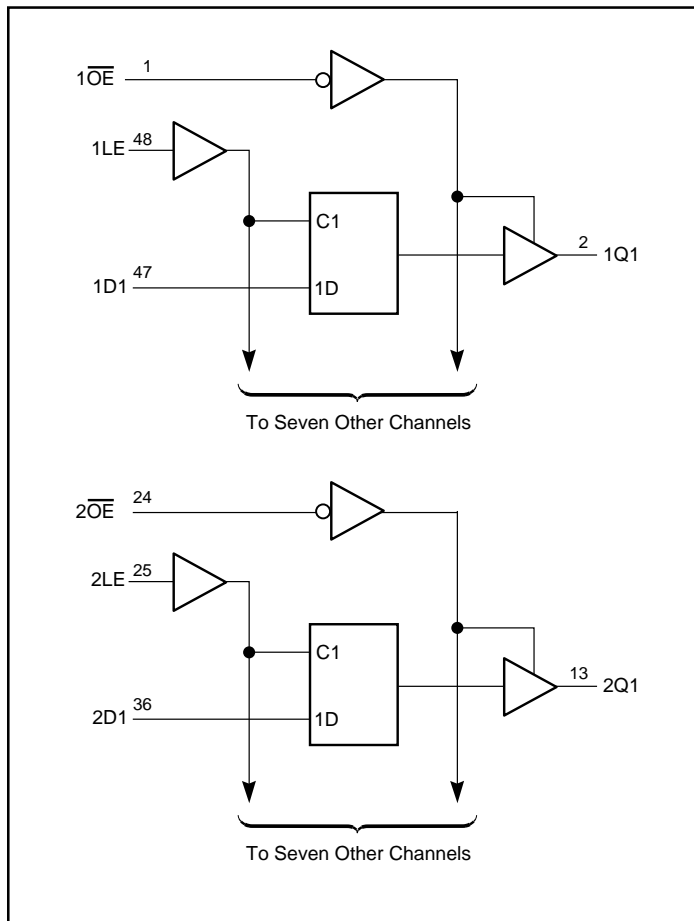
Pericom Semiconductor's PI74AVC+ series of logic circuits are produced using the Company's advanced submicron CMOS technology, achieving industry leading speed.

The PI74AVC+16373 is particularly suited for implementing buffer registers, I/O ports, bidirectional bus drivers, and working registers. This device can be used as two 8-bit latches or one 16-bit latch. When the Latch Enable (LE) input is HIGH, the Q outputs follow the (D) inputs. When LE is taken LOW, the Q outputs are latched at the levels set up at the D inputs.

A buffered Output Enable ( $\overline{OE}$ ) input can be used to place the eight outputs in either a normal logic state (high or low logic levels) or a high-impedance state in which the outputs neither load nor drive the bus lines significantly. The high-impedance state and the increased drive provide the capability to drive bus lines without need for interface or pullup components.  $\overline{OE}$  does not affect internal operations of the latch. Old data can be retained or new data can be entered while the outputs are in the high impedance state.

To ensure the high impedance state during power up or power down,  $\overline{OE}$  should be tied to  $V_{CC}$  through a pullup resistor; the minimum value of the resistor is determined by the current-sinking capability of the driver.

**Logic Block Diagram**



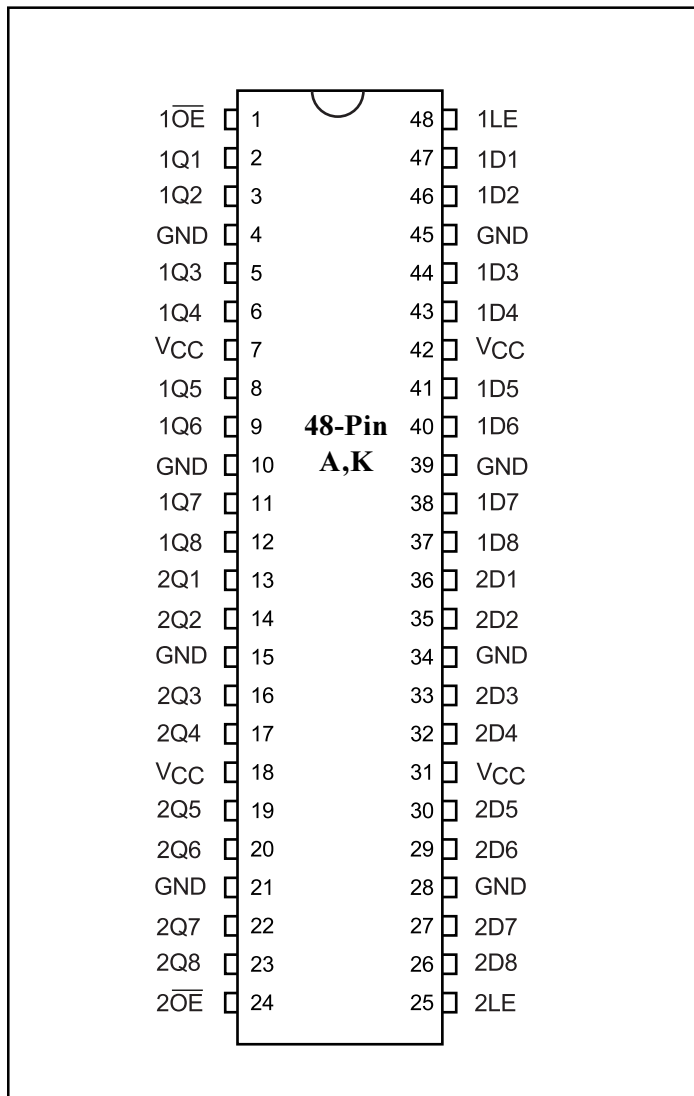
**Maximum Ratings** (Above which the useful life may be impaired. For user guidelines, not tested.)

Supply voltage range, $V_{CC}$ .....	-0.5V to +4.6V
Input voltage range, $V_I$ .....	-0.5V to +4.6V
Voltage range applied to any output in the high-impedance or power-off state, $V_O^{(1)}$ .....	-0.5V to +4.6V
Voltage range applied to any output in the high or low state, $V_O^{(1,2)}$ .....	-0.5V to $V_{CC}+0.5V$
Input clamp current, $I_{IK}$ ( $V_I < 0$ ) .....	-50mA
Output clamp current, $I_{OK}$ ( $V_O < 0$ ) .....	-50mA
Continuous output current, $I_O$ .....	$\pm 50mA$
Continuous current through each $V_{CC}$ or GND .....	$\pm 100mA$
Package thermal impedance, $\theta_{JA}^{(3)}$ : package A .....	64°C/W
package K .....	48°C/W
Storage Temperature range, $T_{stg}$ .....	-65°C to 150°C

**Notes:**  
 Stresses greater than those listed under MAXIMUM RATINGS may cause permanent damage to the device. This is a stress rating only and functional operation of the device at these or any other conditions above those indicated in the operational sections of this specification is not implied. Exposure to absolute maximum rating conditions for extended periods may affect reliability.

1. Input & output negative-voltage ratings may be exceeded if the input and output current rating are observed.
2. Output positive-voltage rating may be exceeded up to 4.6V maximum if the output current rating is observed.
3. The package thermal impedance is calculated in accordance with JESD 51.

**Product Pin Configuration**



**Product Pin Description**

Pin Name	Description
$\overline{OE}$	3-State Output Enable Inputs (Active LOW)
LE	Latch Enable (Active HIGH)
Dx	Data Inputs
Qx	3-State Outputs
GND	Ground
VCC	Power

**Truth Table<sup>(1)</sup>**

Inputs			Outputs
$\overline{OE}$	LE	D	Q
L	H	H	H
L	H	L	L
L	L	X	Q <sub>0</sub>
H	X	X	Z

**Notes:**

1. H = High Signal Level  
 L = Low Signal Level  
 X = Don't Care or Irrelevant  
 Z = High Impedance

**Recommended Operating Conditions<sup>(1)</sup>**

		Min.	Max.	Units
V <sub>CC</sub> Supply Voltage	Operating	1.4	3.6	V
	Data retention only	1.2		
V <sub>IH</sub> High-level Input Voltage	V <sub>CC</sub> = 1.2V	V <sub>CC</sub>		
	V <sub>CC</sub> = 1.4V to 1.6V	0.65 x V <sub>CC</sub>		
	V <sub>CC</sub> = 1.65V to 1.95V	0.65 x V <sub>CC</sub>		
	V <sub>CC</sub> = 2.3V to 2.7V	1.7		
	V <sub>CC</sub> = 3V to 3.6V	2		
V <sub>IL</sub> Low-level Input Voltage	V <sub>CC</sub> = 1.2V		GND	
	V <sub>CC</sub> = 1.4V to 1.6V		0.35 x V <sub>CC</sub>	
	V <sub>CC</sub> = 1.65V to 1.95V		0.35 x V <sub>CC</sub>	
	V <sub>CC</sub> = 2.3V to 2.7V		0.7	
	V <sub>CC</sub> = 3V to 3.6V		0.8	
V <sub>I</sub> Input Voltage		0	3.6	
V <sub>O</sub> Output Voltage	Active State	0	V <sub>CC</sub>	
	3-State	0	3.6	
I <sub>OHS</sub> High-level output current	V <sub>CC</sub> = 1.4V to 1.6V		- 4	mA
	V <sub>CC</sub> = 1.65V to 1.95V		- 6	
	V <sub>CC</sub> = 2.3V to 2.7V		- 12	
	V <sub>CC</sub> = 3V to 3.6V		- 24	
I <sub>OLS</sub> Low-level output current	V <sub>CC</sub> = 1.4V to 1.6V		4	
	V <sub>CC</sub> = 1.65V to 1.95V		6	
	V <sub>CC</sub> = 2.3V to 2.7V		12	
	V <sub>CC</sub> = 3V to 3.6V		24	
ΔtΔv Input transition rise or fall rate	V <sub>CC</sub> = 1.4V to 3.6V		5	ns/V
T <sub>A</sub> Operating free-air temperature		-40	85	°C

**Notes:**

1. All unused inputs must be held at V<sub>CC</sub> or GND to ensure proper device operation.

**DC Electrical Characteristics** (Over the Operating Range,  $T_A = -40^{\circ}\text{C} + 85^{\circ}\text{C}$ )

Parameters		Test Conditions <sup>(1)</sup>	V <sub>CC</sub>	Min.	Typ.	Max.	Units
V <sub>OH</sub>		I <sub>OH</sub> = -100μA	1.4V to 3.6V	V <sub>CC</sub> - 0.2V			V
		I <sub>OHS</sub> = -4mA    V <sub>IH</sub> = 0.91V	1.4V	1.05			
		I <sub>OHS</sub> = -6mA    V <sub>IH</sub> = 1.07V	1.65V	1.2			
		I <sub>OHS</sub> = -12mA    V <sub>IH</sub> = 1.7V	2.3V	1.75			
		I <sub>OHS</sub> = -24mA    V <sub>IH</sub> = 2V	3V	2.0			
V <sub>OL</sub>		I <sub>OLS</sub> = 100μA	1.4V to 3.6V			0.2	V
		I <sub>OLS</sub> = 4mA    V <sub>IL</sub> = 0.49V	1.4V			0.4	
		I <sub>OLS</sub> = 6mA    V <sub>IL</sub> = 0.57V	1.65V			0.45	
		I <sub>OLS</sub> = 12mA    V <sub>IL</sub> = 0.7V	2.3V			0.55	
		I <sub>OLS</sub> = 24mA    V <sub>IL</sub> = 0.8V	3V			0.8	
I <sub>I</sub>	Control Inputs	V <sub>I</sub> = V <sub>CC</sub> or GND	3.6V			±2.5	μA
	I <sub>OFF</sub>	V <sub>I</sub> or V <sub>O</sub> = 3.6V	0			±10	
	I <sub>OZ</sub>	V <sub>O</sub> = V <sub>CC</sub> or GND	3.6V			±10	
	I <sub>CC</sub>	V <sub>I</sub> = V <sub>CC</sub> or GND    I <sub>O</sub> = 0	3.6V			40	
C <sub>I</sub>	Control Inputs	V <sub>I</sub> = V <sub>CC</sub> or GND	2.5V		3.5		pF
			3.3V		3.5		
	Data Inputs		2.5V		6		
			3.3V		6		
C <sub>O</sub>	Outputs	V <sub>O</sub> = V <sub>CC</sub> or GND	2.5V		6.5		
			3.3V		6.5		

**Note:** Typical values are measured at  $T_A = 25^{\circ}\text{C}$ .

**Timing requirements over recommended operating free-air temperature range**

(unless otherwise noted, see Figures 1 thru 4)

	V <sub>CC</sub> = 1.2V		V <sub>CC</sub> = 1.5V ± 0.1V		V <sub>CC</sub> = 1.8V ± 0.15V		V <sub>CC</sub> = 2.5V ± 0.2V		V <sub>CC</sub> = 3.3V ± 0.3V		Units
	Min.	Max.	Min.	Max.	Min.	Max.	Min.	Max.	Min.	Max.	
t <sub>w</sub> Pulse duration, LE HIGH					2.2		2		1.8		ns
t <sub>su</sub> Setup time, data before LE↓	1.7		1.2		1.1		0.9		0.8		
t <sub>h</sub> Hold time, data after LE↓	2		1.1		1.1		1.1		1		

**Switching Characteristics over recommended operating free-air temperature range**

(unless otherwise noted, see Figures 1 thru 4)

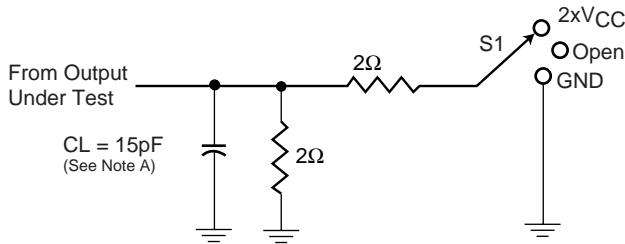
Parameters	From (Input)	To (Output)	V <sub>CC</sub> = 1.2V		V <sub>CC</sub> = 1.5V ± 0.1V		V <sub>CC</sub> = 1.8V ± 0.15V		V <sub>CC</sub> = 2.5V ± 0.2V		V <sub>CC</sub> = 3.3V ± 0.3V		Units
			Typ.	Min.	Max.	Min.	Max.	Min.	Max.	Min.	Max.		
t <sub>pd</sub>	D	Q	5.8	1.2	6.8	1	5.7	0.8	3.3	0.7	2.8	ns	
	LE		7.2	1.4	8.3	1.1	6.6	0.8	4	0.7	3.2		
t <sub>en</sub>	$\overline{\text{OE}}$	Q	7.4	1.6	8.8	1.6	6.7	1.4	4.3	0.7	3.4		
t <sub>dis</sub>	$\overline{\text{OE}}$	Q	8.4	2.5	9.4	2.3	7.8	1.3	4.2	1.2	3.9		

**Operating Characteristics, T<sub>A</sub>=25°C**

Parameters		Test Conditions	V <sub>CC</sub> = 1.8V ±0.15V	V <sub>CC</sub> = 2.5V ±0.2V	V <sub>CC</sub> = 3.3V ±0.3V	Units
			Typical	Typical	Typical	
C <sub>pd</sub> Power Dissipation Capacitance	Outputs Enabled	C <sub>L</sub> = 0pF, f = 10 MHz	40	43	47	pF
	Outputs Disabled		20	22	24	

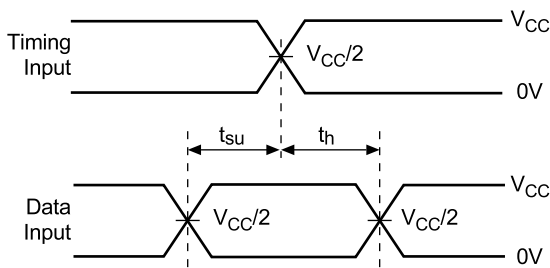
**PARAMETER MEASUREMENT INFORMATION**

$V_{CC} = 1.2V \text{ AND } 1.5V \pm 0.1V$

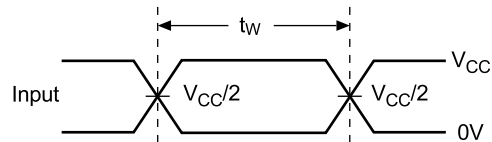


**Load Circuit**

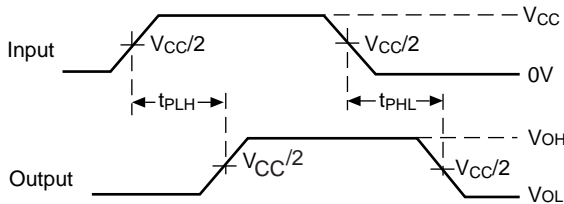
Test	S1
$t_{pd}$ $t_{PLZ}/t_{PZL}$ $t_{PHZ}/t_{PZH}$	Open $2 \times V_{CC}$ GND



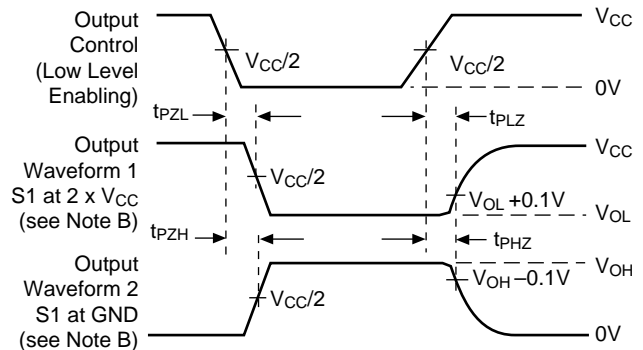
**Voltage Waveforms  
Setup and Hold Times**



**Voltage Waveforms  
Pulse Duration**



**Voltage Waveforms  
Propagation Delay Times**



**Voltage Waveforms  
Enable and Disable Times**

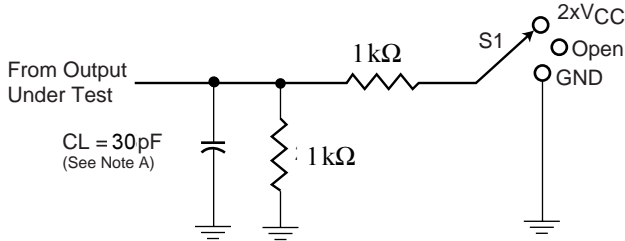
**Figure 1. Load Circuit and Voltage Waveforms**

**Notes:**

- A.  $C_L$  includes probe and jig capacitance.
- B. Waveform 1 is for an output with internal conditions such that the output is low except when disabled by the output control.  
Waveform 2 is for an output with internal conditions such that the output is high except when disabled by the output control.
- C. All input impulses are supplied by generators having the following characteristics:  $PRR \leq 10 \text{ MHz}$ ,  $Z_O = 50\Omega$ ,  $t_R \leq 2.0\text{ns}$ ,  $t_F \leq 2.0\text{ns}$ .
- D. The outputs are measured one at a time with one transition per measurement.
- E.  $t_{PLZ}$  and  $t_{PHZ}$  are the same as  $t_{dis}$
- F.  $t_{PZL}$  and  $t_{PZH}$  are the same as  $t_{en}$
- G.  $t_{PLH}$  and  $t_{PHL}$  are the same as  $t_{pd}$

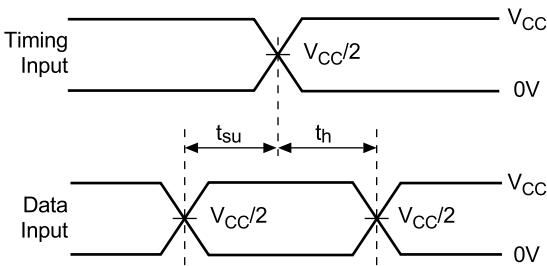
PARAMETER MEASUREMENT INFORMATION

$V_{CC} = 1.8V \pm 0.15V$

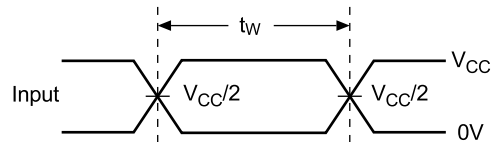


Load Circuit

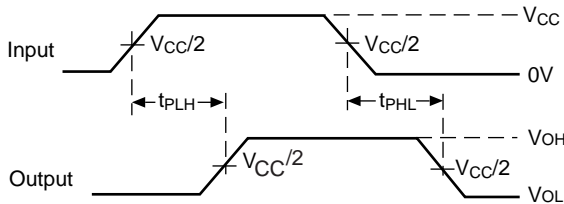
Test	S1
$t_{pd}$ $t_{PLZ}/t_{PZL}$ $t_{PHZ}/t_{PZH}$	Open $2 \times V_{CC}$ GND



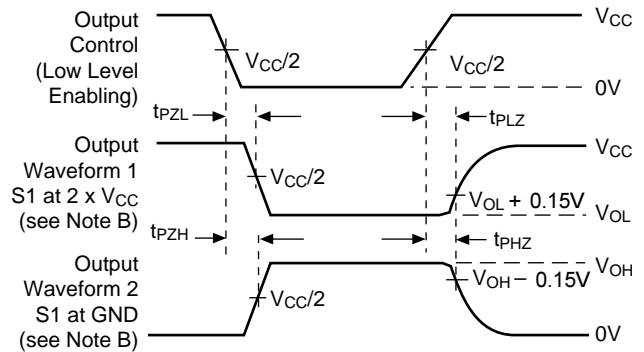
Voltage Waveforms  
Setup and Hold Times



Voltage Waveforms  
Pulse Duration



Voltage Waveforms  
Propagation Delay Times



Voltage Waveforms  
Enable and Disable Times

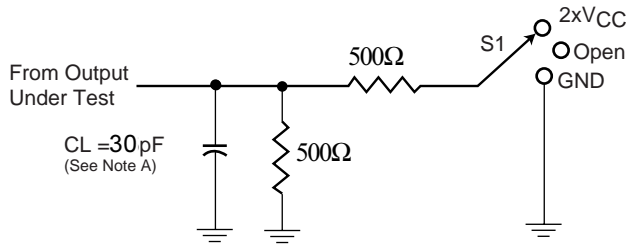
Figure 2. Load Circuit and Voltage Waveforms

Notes:

- A.  $C_L$  includes probe and jig capacitance.
- B. Waveform 1 is for an output with internal conditions such that the output is low except when disabled by the output control. Waveform 2 is for an output with internal conditions such that the output is high except when disabled by the output control.
- C. All input impulses are supplied by generators having the following characteristics:  $PRR \leq 10 \text{ MHz}$ ,  $Z_O = 50\Omega$ ,  $t_R \leq 2.0\text{ns}$ ,  $t_F \leq 2.0\text{ns}$ .
- D. The outputs are measured one at a time with one transition per measurement.
- E.  $t_{PLZ}$  and  $t_{PHZ}$  are the same as  $t_{dis}$
- F.  $t_{PZL}$  and  $t_{PZH}$  are the same as  $t_{en}$
- G.  $t_{PLH}$  and  $t_{PHL}$  are the same as  $t_{pd}$

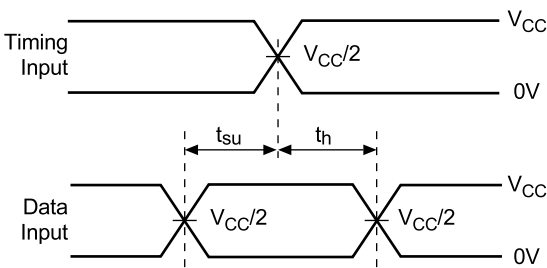
PARAMETER MEASUREMENT INFORMATION

$V_{CC} = 2.5V \pm 0.2V$

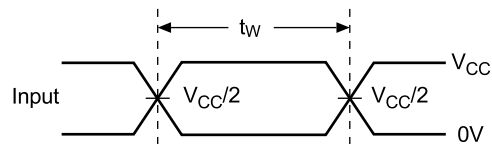


Load Circuit

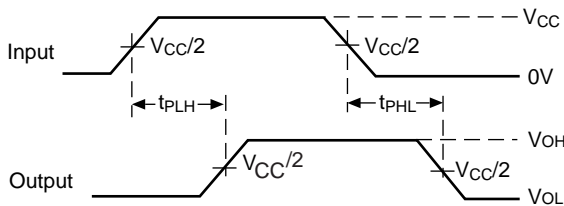
Test	S1
$t_{pd}$ $t_{PLZ}/t_{PZL}$ $t_{PHZ}/t_{PZH}$	Open $2 \times V_{CC}$ GND



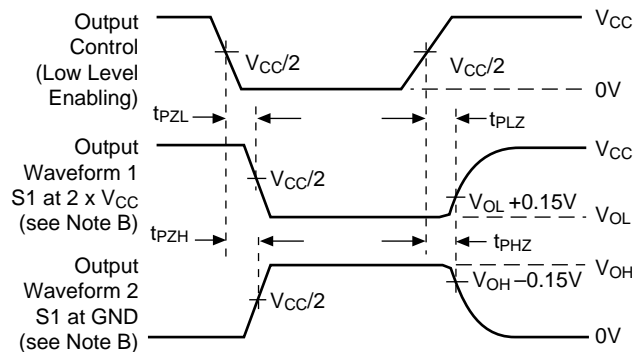
Voltage Waveforms  
Setup and Hold Times



Voltage Waveforms  
Pulse Duration



Voltage Waveforms  
Propagation Delay Times



Voltage Waveforms  
Enable and Disable Times

Figure 3. Load Circuit and Voltage Waveforms

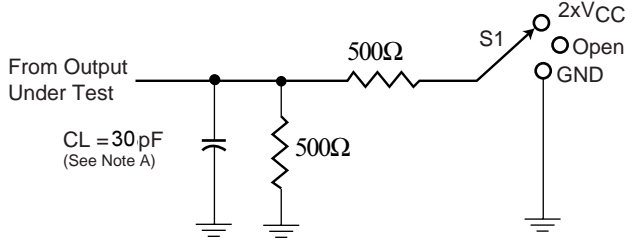
Notes:

- A.  $C_L$  includes probe and jig capacitance.
- B. Waveform 1 is for an output with internal conditions such that the output is low except when disabled by the output control.  
Waveform 2 is for an output with internal conditions such that the output is high except when disabled by the output control.
- C. All input impulses are supplied by generators having the following characteristics:  $PRR \leq 10 \text{ MHz}$ ,  $Z_O = 50\Omega$ ,  $t_R \leq 2.0\text{ns}$ ,  $t_F \leq 2.0\text{ns}$ .
- D. The outputs are measured one at a time with one transition per measurement.
- E.  $t_{PLZ}$  and  $t_{PHZ}$  are the same as  $t_{dis}$
- F.  $t_{PZL}$  and  $t_{PZH}$  are the same as  $t_{en}$
- G.  $t_{PLH}$  and  $t_{PHL}$  are the same as  $t_{pd}$



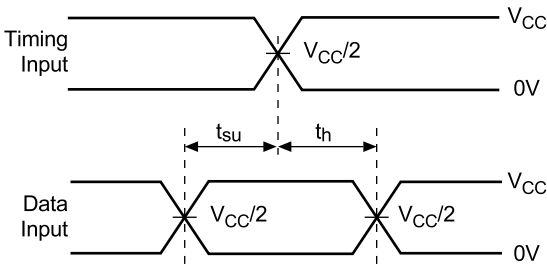
PARAMETER MEASUREMENT INFORMATION

$V_{CC} = 3.3V \pm 0.3V$

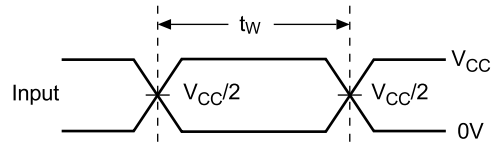


Load Circuit

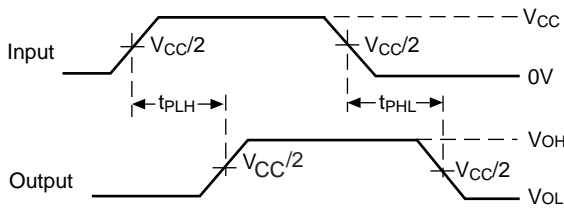
Test	S1
$t_{pd}$ $t_{PLZ}/t_{PZL}$ $t_{PHZ}/t_{PZH}$	Open $2 \times V_{CC}$ GND



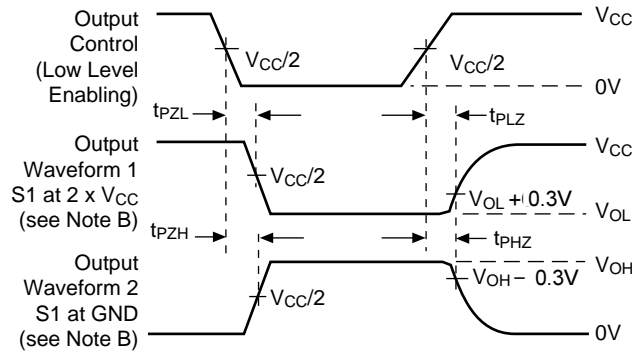
Voltage Waveforms  
Setup and Hold Times



Voltage Waveforms  
Pulse Duration



Voltage Waveforms  
Propagation Delay Times



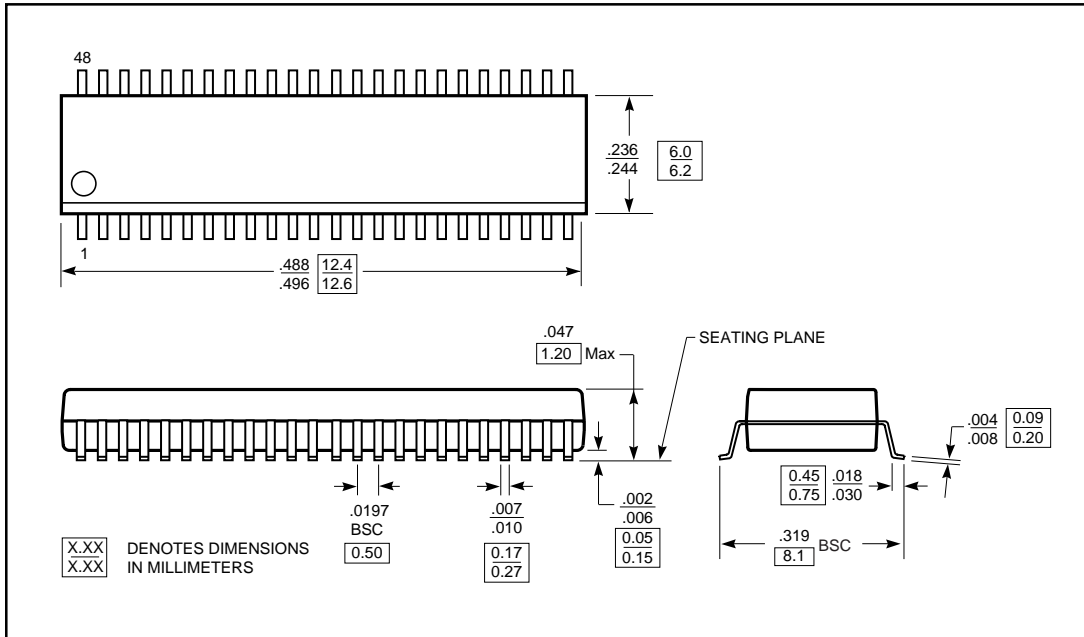
Voltage Waveforms  
Enable and Disable Times

Figure 4. Load Circuit and Voltage Waveforms

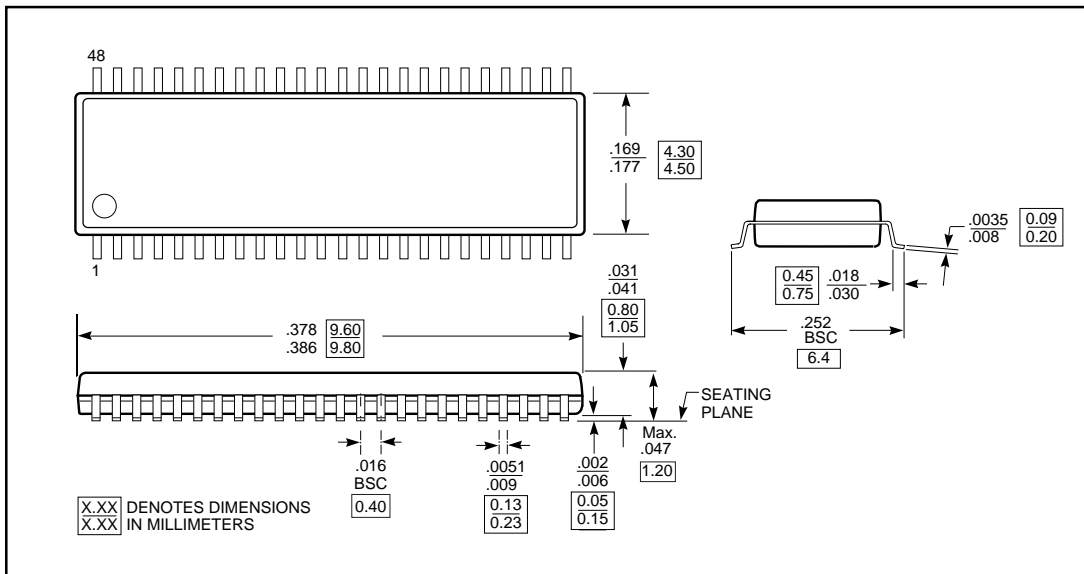
Notes:

- A.  $C_L$  includes probe and jig capacitance.
- B. Waveform 1 is for an output with internal conditions such that the output is low except when disabled by the output control. Waveform 2 is for an output with internal conditions such that the output is high except when disabled by the output control.
- C. All input impulses are supplied by generators having the following characteristics:  $PRR \leq 10 \text{ MHz}$ ,  $Z_O = 50\Omega$ ,  $t_R \leq 2.0\text{ns}$ ,  $t_F \leq 2.0\text{ns}$ .
- D. The outputs are measured one at a time with one transition per measurement.
- E.  $t_{PLZ}$  and  $t_{PHZ}$  are the same as  $t_{dis}$
- F.  $t_{PZL}$  and  $t_{PZH}$  are the same as  $t_{en}$
- G.  $t_{PLH}$  and  $t_{PHL}$  are the same as  $t_{pd}$

**Packaging Mechanical - 48-pin TSSOP (A-package)**



**Packaging Mechanical - 48-pin TVSOP (TSSOP) (K-package)**



Ordering Information	Description
PI74AVC+16373A	48-pin, 240-mil wide plastic TSSOP
PI74AVC+16373K	48-pin, 173-mil wide plastic TVSOP