

RS-232/RS-485 Multi-Mode Serial Transceiver

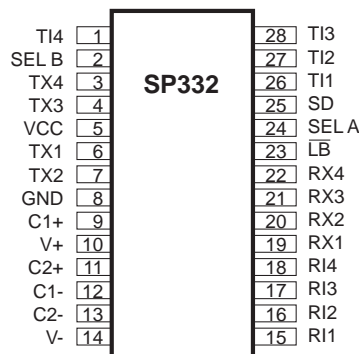
features

- +5V only Single Supply Operation
- 4 Drivers, 4 Receivers RS-232
- 2 Drivers, 2 Receivers RS-485
- Loop Back Function for Self Test
- 28 Pin SOIC Packaging

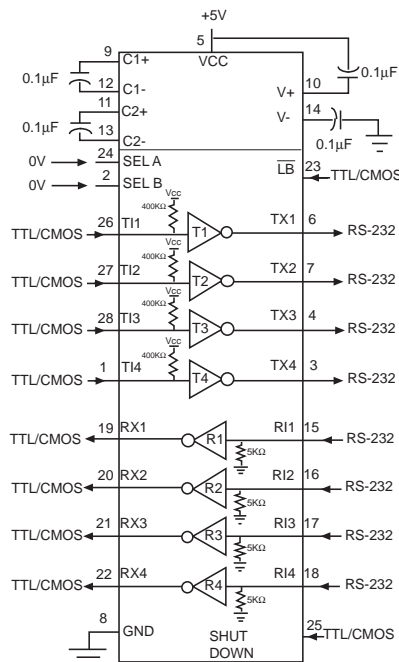
description

The SP332 is a monolithic device that contains both RS-232 and RS-485 line drivers and receivers. The configuration of the SP332 can be changed at any time by changing the logic state of two control input pins. The device also includes a loop back function which internally connects driver outputs to receiver inputs for a chip self test. A Sipex-patented charge pump (5,306,954) allows +5V-only operation.

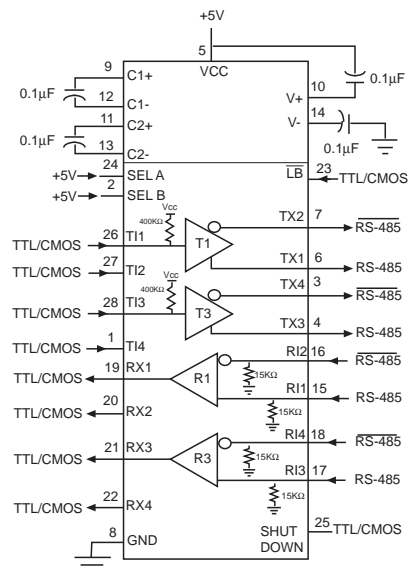
typical application circuits



RS-232 Mode



RS-485 Mode



ordering information - Please consult the factory for pricing and availability on a Tape-On-Reel option.

Part Number	Temperature Range	Package Type
SP332CT	0°C to +70°C	28-Pin SOIC
SP332ET	-40°C to +85°C	28-Pin SOIC