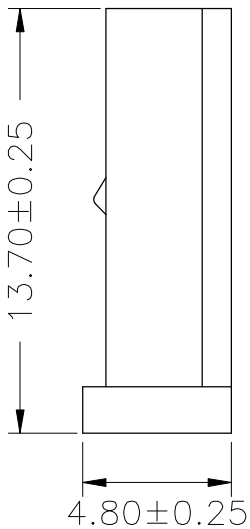
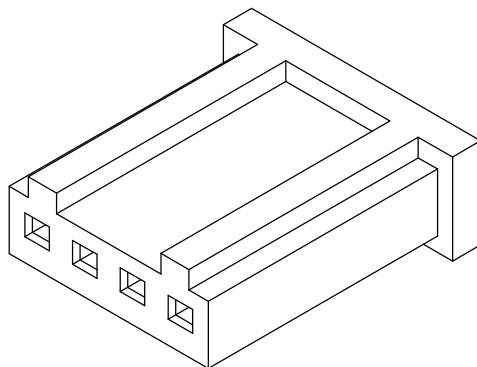
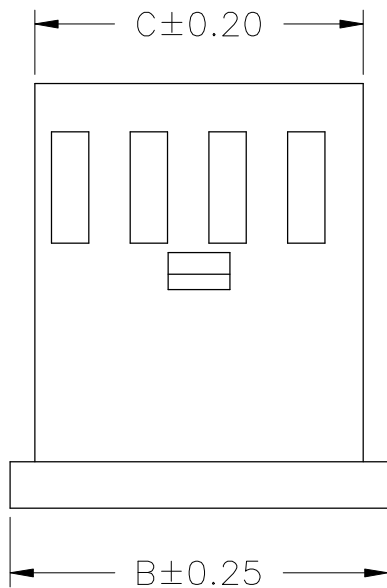


2.54±0.10
A±0.20



SPECIFICATIONS

Current Rating: 3A AC,DC
 Voltage Rating: 250V AC,DC
 Temperature Range: -25°C ~ +85°C
 Contact Resistance: 20mΩ Max
 Insulation Resistance: 1000MΩ Min
 Withstanding Voltage: 1000V AC/minute
 Material: Nylon 66,UL94V-0

Ordering Information & Dimensions

PART NO.	Dimensions		
	A	B	C
MOD-H-1X02	2.54	7.10	5.60
MOD-H-1X04	7.62	12.20	10.60
MOD-H-1X06	12.70	17.30	15.70
MOD-H-1X08	17.78	22.30	20.80
MOD-H-1X09	20.32	24.90	23.30
MOD-H-1X10	22.86	27.40	25.90
MOD-H-1X12	27.94	32.50	31.00
MOD-H-1X15	35.56	40.10	38.60
MOD-H-1X22	53.34	57.90	56.40

MORETHANALL
CONNECTORS
ASSEMBLIES

煜倫有限公司

PART NO. MOD-H-1Xxx

DWG NO. MOD-H-1Xxx

FILE NO.

UNIT / mm

SCALE 1:1

APPROVED BY CY

DRAWING BY

PROJECTION

TOLERANCES ARE

.X
.XX
.XXX
AWG

DESCRIPTION:

**2.54mm PITCH
HOUSING**

AREA

REVISIONS

HK

DATE