

DO NOT SCALE DRAWING DIMENSION IN METRIC

DWG. NO. SD-35507-001

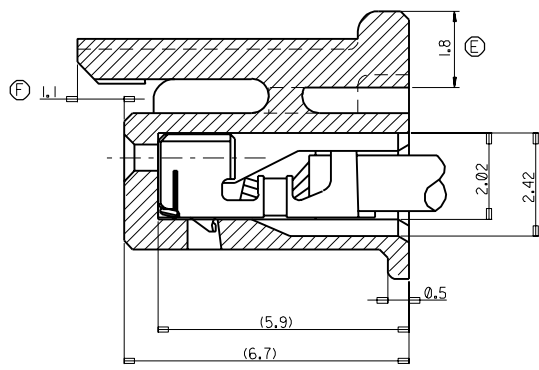
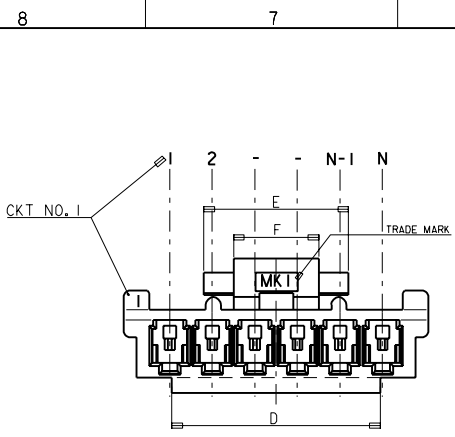
SIMILAR ITEM

PROJECT NO.

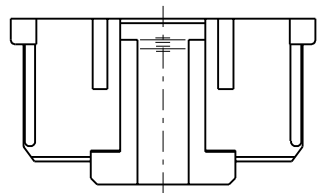
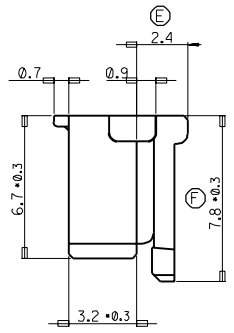
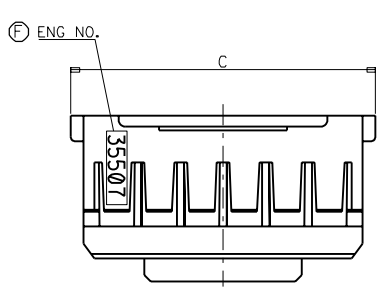
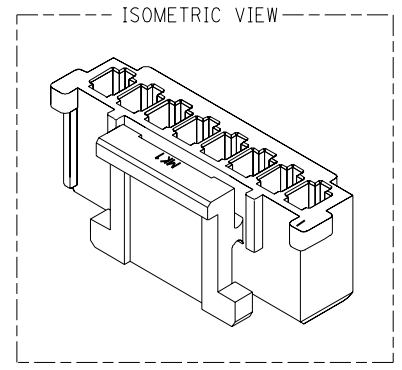
C

B

A

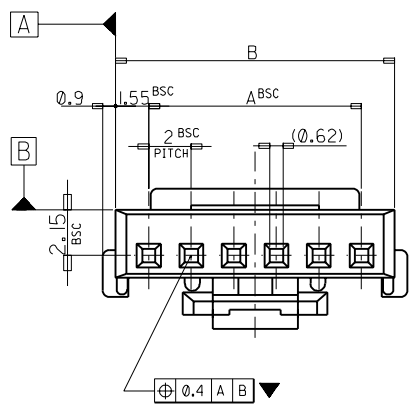


TERMINAL INSERTED DRAWING
SCALE 2:1



NOTES

1. MATERIAL : POLYESTER, UL94V-0
- ② 2. FINISH : VARIABLE COLOR (SEE LEGEND)
3. PRODUCT SPECIFICATION NO : PS-35507-001
4. APPLICABLE TERMINAL : 50212-8000
5. MATES WITH : 35362-***, 35363-***



③ LEGEND

CKT NO. ——— COLOR

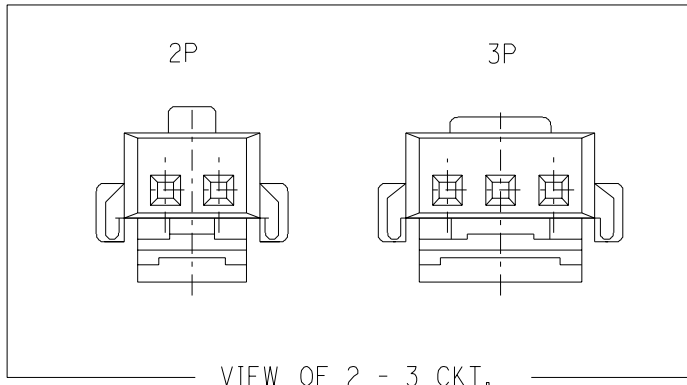
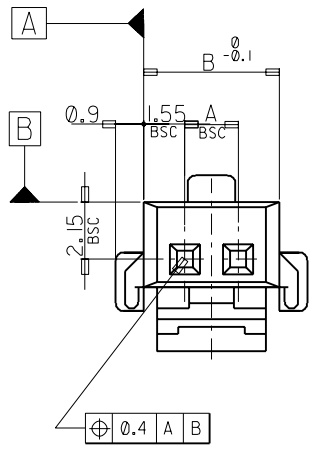
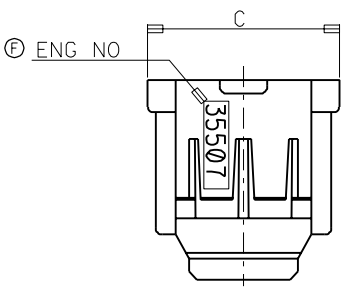
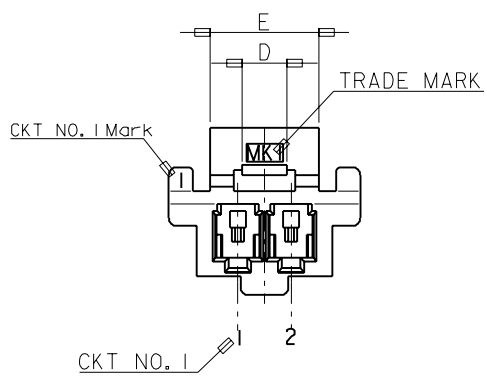
- ① 0 : NATURAL
- 1 : BLACK
- 2 : RED
- 3 : YELLOW
- 4 : BLUE
- 5 : GREEN

4	4	27.8	32.3	31.1	28	-150*	15
		25.8	30.3	29.1	26	-140*	14
		23.8	28.3	27.1	24	-130*	13
		21.8	26.3	25.1	22	-120*	12
		19.8	24.3	23.1	20	-110*	11
		17.8	22.3	21.1	18	-100*	10
7	7	15.8	20.3	19.1	16	-090*	9
8.0	10.8	13.8	18.3	17.1	14	-080*	8
4	4	11.8	16.3	15.1	12	-070*	7
		9.8	14.3	13.1	10	-060*	6
		7.8	12.3	11.1	8	-050*	5
410	618	5.8	10.3	9.1	6	35507-040*	4
F	E	D	C	B	A	ENG NO.	CKT

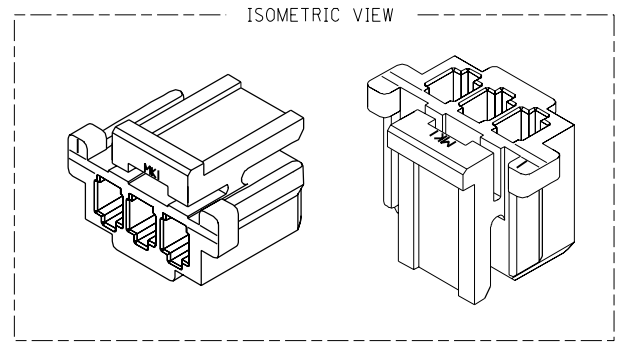
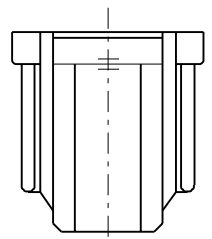
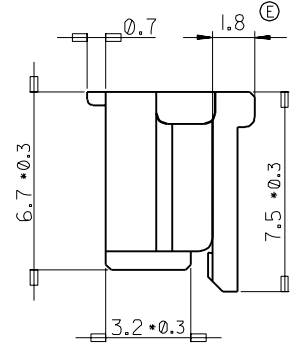
30 over	±0.3
10 over 30 under	±0.25
10 under	±0.2
ANGLE	±3°
GENERAL TOLERANCE	

REVISED EC NO. KOR 2002-0043 DRWNG: Y500KIM(20011123) CHK: YSIKKim APPR: CWLEE	QUALITY SYMBOLS MAJOR CRITICAL	GENERAL TOLERANCES: (UNLESS SPECIFIED)	SCALE 1 : 1	DESIGN UNITS <input checked="" type="checkbox"/> mm <input type="checkbox"/> INCH	THIRD ANGLE PROJECTION <input type="checkbox"/> mm <input type="checkbox"/> INCH <input checked="" type="checkbox"/> mm ONLY	SHT	REV													
		<table border="1"> <tr> <td></td><td>mm</td><td>INCH</td></tr> <tr> <td>4 PLACES</td><td>±0.</td><td>±.</td></tr> <tr> <td>3 PLACES</td><td>±0.</td><td>±.</td></tr> <tr> <td>2 PLACES</td><td>±0.</td><td>±.</td></tr> <tr> <td>1 PLACE</td><td>±0.</td><td>±.</td></tr> </table>		mm	INCH	4 PLACES	±0.	±.	3 PLACES	±0.	±.	2 PLACES	±0.	±.	1 PLACE	±0.	±.	DRAWN BY & DATE Y.S.Kim 960911	TITLE: NEW 2.0 W/B CONN HOUSING	
	mm	INCH																		
4 PLACES	±0.	±.																		
3 PLACES	±0.	±.																		
2 PLACES	±0.	±.																		
1 PLACE	±0.	±.																		
REV	DESCRIPTION	ANGULAR: ± / °	CAD FILENAME SD35507.S01	MATERIAL NO.	DRAWING NO. SD-35507-001	SHEET NO. 1/3	REVISION ON CAD ONLY													
		DRAFT WHERE APPLICABLE MUST REMAIN WITHIN DIMENSIONS	THIS DRAWING CONTAINS INFORMATION THAT IS PROPRIETARY TO MOLEX INCORPORATED AND SHOULD NOT BE USED WITHOUT WRITTEN PERMISSION.				SIZE B													

DWG. NO. SD-35507-001
 SIMILAR ITEM
 PROJECT NO.
 DO NOT SCALE DRAWING DIMENSION IN METRIC



VIEW OF 2 - 3 CKT.



FOR 2 & 3 CKTS.

LEGEND

CKT NO. * * 0 * COLOR

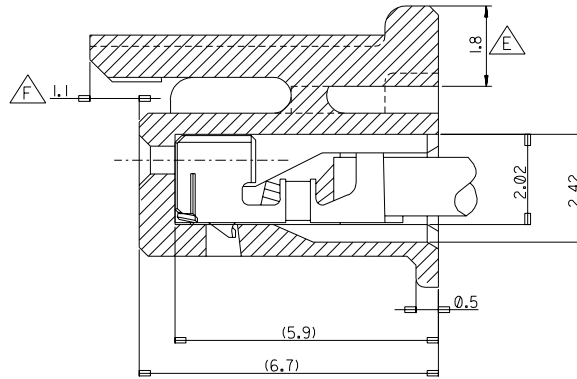
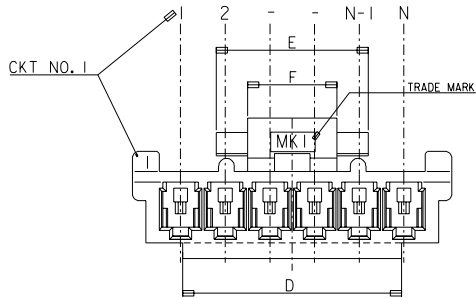
- 0 : NATURAL
- 1 : BLACK
- 2 : RED
- 3 : YELLOW
- 4 : BLUE
- 5 : GREEN

NOTES

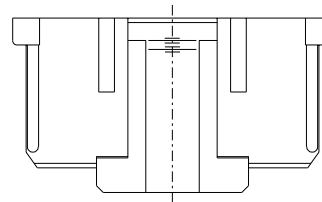
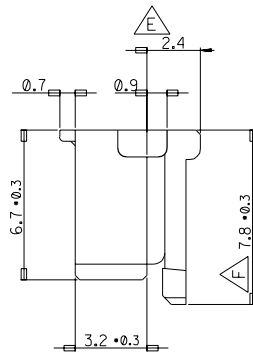
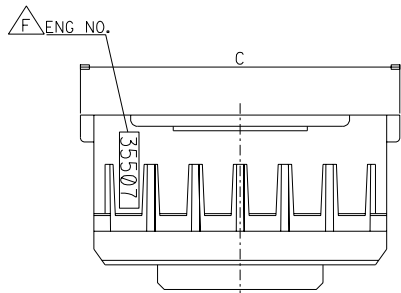
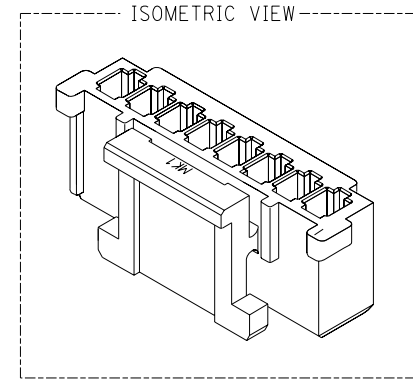
1. MATERIAL : POLYESTER, UL94V-0
2. FINISH : VARIABLE COLOR (SEE LEGEND)
3. PRODUCT SPECIFICATION NO : PS-35507-001
4. APPLICABLE TERMINAL : 50212-8000
5. MATES WITH : 35362-***, 35363-***

30 over	+0.3
10 over 30 under	±0.25
10 under	±0.2
ANGLE	±3°
GENERAL TOLERANCE	

REVISED EC NO. KOR 2002-0043 DRWN: YSOOKIM (20011123) CHK: YSIKIM APPR: CWLEE	QUALITY SYMBOLS MAJOR = CRITICAL =	GENERAL TOLERANCES: (UNLESS SPECIFIED)	SCALE 1:1 DESIGN UNITS <input checked="" type="checkbox"/> mm <input type="checkbox"/> INCH	DRAWN BY & DATE Y.S.Kim 960911	TITLE: NEW 2.0 W/B CONN HOUSING (2 & 3 CKTS Only)	THIRD ANGLE PROJECTION <input type="checkbox"/> mm INCH <input checked="" type="checkbox"/> INCH mm	DIMENSIONS: <input type="checkbox"/> mm <input type="checkbox"/> INCH <input checked="" type="checkbox"/> mm ONLY	SHT REV REVISION ON CAD ONLY
		4 PLACES ±0.1 ±.1 3 PLACES ±0.1 ±.1 2 PLACES ±0.1 ±.1 1 PLACE ±0.1 ±.1	CHECKED BY & DATE Y.Sik.Kim	APPROVED BY & DATE C.W.Lee		CAD FILENAME SD35507.S02	MATERIAL NO. DRAWING NO. SD-35507-001	SHEET NO. 2/3
DRAFT WHERE APPLICABLE MUST REMAIN WITHIN DIMENSIONS		THIS DRAWING CONTAINS INFORMATION THAT IS PROPRIETARY TO MOLEX INCORPORATED AND SHOULD NOT BE USED WITHOUT WRITTEN PERMISSION.					MOLEX INCORPORATED KOREA	SIZE B



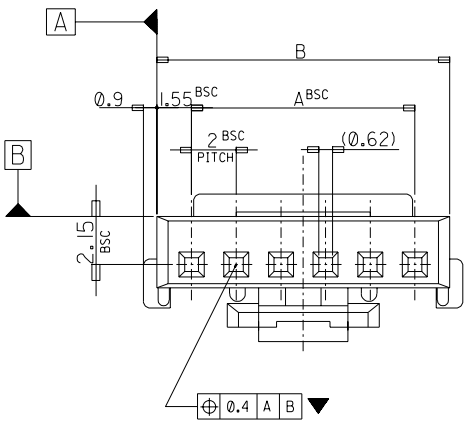
TERMINAL INSERTED DRAWING
SCALE 8:1



NOTES

1. MATERIAL : POLYESTER, NON GLASS FILLED, UL94V-0
2. FINISH : VARIABLE COLOR (SEE LEGEND)
3. PRODUCT SPECIFICATION : PS-35507-001
4. APPLICABLE TERMINAL : 50212-8000
5. MATES WITH : 35362-***, 35363-***

LEGEND	
CKT. NO. ***0*	COLOR
	0 : NATURAL
	1 : BLACK
	2 : RED
	3 : YELLOW
	4 : BLUE
	5 : GREEN



8.0	10.8	37.8	42.3	41.1	38	35507200*	35507-200*	20
8.0	10.8	35.8	40.3	39.1	36	35507190*	35507-190*	19
8.0	10.8	33.8	38.3	37.1	34	35507180*	35507-180*	18
8.0	10.8	31.8	36.3	35.1	32	35507170*	35507-170*	17
8.0	10.8	29.8	34.3	33.1	30	35507160*	35507-160*	16
F	E	D	C	B	A	MATERIAL NO.	ENG NO.	CKT

REVISED
KOR2003-0109
JUNGHKIM 02/10/31
YUNSIKKIM
CWLEE

4 : 1 X
Y.S.Kim 960911
Y.Sik.Kim
C.W.Lee
2
3

NEW 2.0 W/B CONN HOUSING