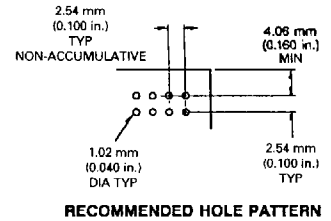
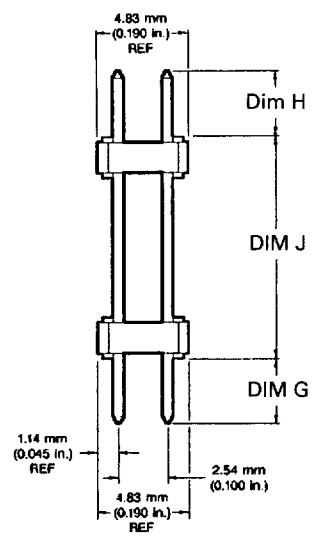
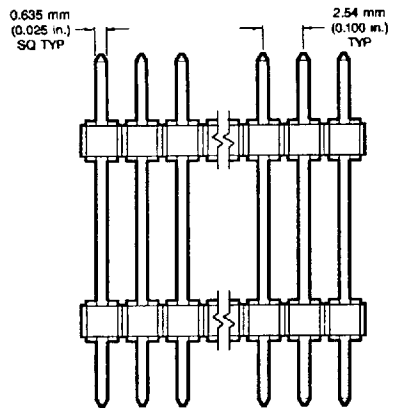
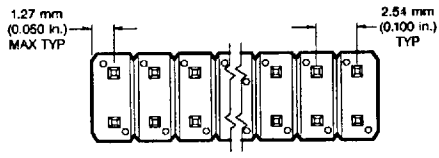


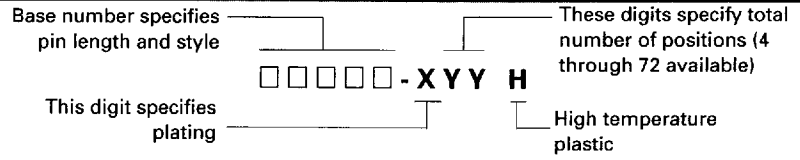
Unshrouded Headers
2.54 x 2.54 mm (0.100 x 0.100 in.)

Description
2-Row Railroad Track BergStik® II Headers



4183396 0963

Ordering Data



Plating	0.76 µm (30 µin.) gold over 1.27 µm (50 µin.) nickel	-1YY	3.81 µm (150 µin.) tin-lead	-4YY
	0.38 µm (15 µin.) gold over 1.27 µm (50 µin.) nickel	-2YY	0.38 µm (15 µin.) GXT™ over 1.27 µm (50 µin.) nickel	-5YY
	1.27 µm (50 µin.) gold over 1.27 µm (50 µin.) nickel	-3YY	0.76 µm (30 µin.) GXT™ over 1.27 µm (50 µin.) nickel	-6YY

Part Numbers	Dimensions					
	H-Mating Length		G-Tail Length		J-Board to Board	
	mm	in.	mm	in.	mm	in.
95711-XYYH	2.54	0.100	4.57	0.180	19.05	0.750
92900-XYYH	2.79	0.110	2.79	0.110	6.35	0.250
71739-XYYH	2.79	0.110	2.79	0.110	18.42	0.725
78937-XYYH	3.05	0.120	3.05	0.120	6.35	0.250
78936-XYYH	3.05	0.120	3.05	0.120	13.84	0.545
86816-XYYH	3.05	0.120	3.05	0.120	17.40	0.685
87053-XYYH	3.05	0.120	3.05	0.120	19.05	0.750
87039-XYYH	3.05	0.120	3.05	0.120	25.40	1.000
95064-XYYH	3.05	0.120	5.59	0.220	7.37	0.290
95788-XYYH	4.45	0.175	3.94	0.155	20.32	0.800
92094-XYYH	4.57	0.180	4.57	0.180	17.02	0.670
90806-XYYH	5.08	0.200	9.14	0.360	21.34	0.840
94552-XYYH	5.21	0.205	2.79	0.110	23.24	0.915
71282-XYYH	5.41	0.213	2.59	0.102	5.79	0.228
86831-XYYH	5.72	0.225	2.54	0.100	5.08	0.200
95787-XYYH	5.72	0.225	2.54	0.100	15.37	0.605
93223-XYYH	5.84	0.230	2.29	0.090	8.00	0.315
86869-XYYH	5.84	0.230	3.05	0.120	17.02	0.670
92628-XYYH	5.84	0.230	3.05	0.120	20.57	0.810
95762-XYYH	5.84	0.230	3.81	0.150	17.02	0.670
95656-XYYH	5.84	0.230	5.84	0.230	11.43	0.450
95657-XYYH	5.84	0.230	7.62	0.300	11.43	0.450

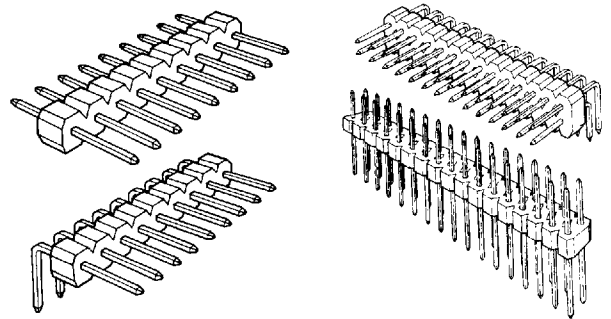
Ordering data shown is for our standard product offering. for non-standard or custom products, contact your authorized Berg Electronics representative.

9005411 0002572 800

Unshrouded Headers

2.54 x 2.54 mm (0.100 x 0.100 in.)
Centerlines

BergStik® II Headers
BergCon® System



A183396-0775

Features

- 1-Row: 1 through 36 total positions.
2-Row: 2 through 72 total positions.
3-Row: 9 through 108 total positions.
- End-to-end and side-to-side stackable on 2.54 mm (0.100 in.) centerlines.
- Can be manually broken to the desired length.
- Drawn (not stamped) 0.64 mm (0.025 in.) square wire presents four surfaces of equal quality.
- Standoffs allow cleaning to eliminate soldering contaminants.
- Optional retention tail provides 2.224 N (0.5 lbf) minimum retention prior to soldering on 1.58 mm (0.062 in.) thick pc boards.
- High-temperature plastic for infra-red soldering operations.
- Available with gold, GXT™ (palladium nickel allow with gold flash) and tin-lead platings.

Options

- Advanced ground.
- Retentive leg solder tails.
- Custom polarization available.

Mating Data


Mates with 0.64 mm (0.025 in.) compatible receptacles on 2.54 mm (0.100 in.) centerlines.


Berg Electronics Products	Page
▪ Card Connectors	13-122, 13-132, and 13-136
▪ PV™/Mini-latch Housing	13-4 and 13-16
▪ Quickie III™	23-4
▪ Clincher™	20-2
▪ Mini-jump™	13-44

Specifications

- MIL-G-45204
- MIL-P-55110
- MIL-P-81728
- QQ-W-343
- ASTM B-159

Approvals and Certifications

 File no. E66906

 File no. LR46923

Application Equipment

Description	Page
▪ Cutting tool HT-320	13-69

Technical Data

Materials

- Housing material High temperature, Glass-filled PCT (UL 94 V-0)
 - ▶ Color Black
 - ▶ Applicable soldering processes Wave, Vapor-phase, IR reflow
- Pin Phosphor-bronze

Plating

- Underplate 1.27 µm (50 µin.) nickel
- Finish 0.38 µm (15 µin.) gold or 0.76 µm (30 µin.) gold or 1.27 µm (50 µin.) gold or 0.38 µm (15 µin.) GXT™ or 0.76 µm (30 µin.) GXT™
- Finish 3.81 µm (150 µin.) tin-lead

Electrical Performance

- Insulation resistance 5000 MΩ min
- Withstanding voltage 1500 V ac rms (sea level)

- Current rating 3 amp continuous

Mechanical Performance

- Retentive leg insertion force* >44.48 N (10 lbf) max*
- Retentive leg connector retention 2.22 N (0.5 lbf) min*
- Contact retention (pin to housing) 8.88 N (2 lbf)

Operating Environment

- Temperature range -65°C to +130°C

Packaging

- Antistatic Bags
- Antistatic Tubes available on selected part numbers

*Per retentive pin-pair.

Customer Support Materials

Description	Order No.	Description	Order No.
Customer Product Drawings	By Part Number	Product Samples	Upon Request
Product Specifications	BUS-12-050	Test Data	Upon Request
Product Substitutions	Contact Technical Support		

■ 9005411 0002556 668 ■

Ordering Data (Cont'd)

Part Numbers	Dimensions					
	H-Mating Length		G-Tail Length		J-Board to Board	
	mm	in.	mm	in.	mm	in.
91507-XYHH	6.10	0.240	3.05	0.120	6.35	0.250
94046-XYHH	6.35	0.250	3.05	0.120	6.35	0.250
86824-XYHH	6.35	0.250	3.05	0.120	9.91	0.390
71728-XYHH	6.45	0.254	2.54	0.100	21.49	0.846
90608-XYHH	6.48	0.255	3.05	0.120	5.59	0.220
94621-XYHH	6.60	0.260	2.54	0.100	5.84	0.230
94084-XYHH	6.73	0.265	3.30	0.130	9.65	0.380
94085-XYHH	6.73	0.265	3.30	0.130	10.92	0.430
94605-XYHH	6.86	0.270	2.79	0.110	11.43	0.450
89638-XYHH	6.86	0.270	3.05	0.120	16.51	0.650
87347-XYHH	7.11	0.280	2.79	0.110	12.70	0.500
95124-XYHH	7.34	0.289	2.84	0.112	11.10	0.437
95036-XYHH	7.37	0.290	7.37	0.290	18.39	0.724
91862-XYHH	7.54	0.297	3.05	0.120	8.89	0.350
91863-XYHH	7.54	0.297	3.05	0.120	9.53	0.375
94550-XYHH	7.62	0.300	3.18	0.125	17.40	0.685
95088-XYHH	7.62	0.300	7.62	0.300	12.70	0.500
94632-XYHH	7.75	0.305	2.79	0.110	15.88	0.625
89444-XYHH	7.87	0.310	3.05	0.120	12.70	0.500
94553-XYHH	7.87	0.310	3.05	0.120	20.32	0.800
89637-XYHH	8.00	0.315	3.00	0.118	21.01	0.827
71726-XYHH	8.00	0.315	8.00	0.315	19.05	0.750
90237-XYHH	8.08	0.318	3.05	0.120	9.53	0.375
94082-XYHH	8.08	0.318	3.05	0.120	10.16	0.400
94083-XYHH	8.08	0.318	3.05	0.120	24.38	0.960
87346-XYHH	8.38	0.330	2.54	0.100	12.70	0.500
71741-XYHH	8.38	0.330	2.79	0.110	22.86	0.900
86826-XYHH	8.38	0.330	3.05	0.120	6.35	0.250
94554-XYHH	8.38	0.330	3.05	0.120	20.32	0.800
92013-XYHH	8.38	0.330	3.05	0.120	25.40	1.000
95063-XYHH	8.38	0.330	3.43	0.135	11.10	0.437
94672-XYHH	8.51	0.335	3.05	0.120	7.49	0.295
95685-XYHH	8.64	0.340	8.64	0.340	5.46	0.215
78563-XYHH	8.64	0.340	8.64	0.340	6.35	0.250
95616-XYHH	8.71	0.343	4.32	0.170	18.80	0.740
95129-XYHH	8.89	0.350	1.52	0.060	23.37	0.920
92012-XYHH	8.89	0.350	2.29	0.090	12.70	0.500
71285-XYHH	8.89	0.350	2.79	0.110	15.62	0.615
95686-XYHH	8.89	0.350	8.89	0.350	5.08	0.200
71704-XYHH	8.99	0.354	8.99	0.354	11.10	0.437
71725-XYHH	9.40	0.370	2.79	0.110	16.00	0.630
87899-XYHH	9.40	0.370	3.05	0.120	13.97	0.550
71284-XYHH	9.45	0.372	3.10	0.122	10.82	0.426
94620-XYHH	9.70	0.382	3.05	0.120	12.70	0.500
94555-XYHH	9.78	0.385	9.78	0.385	12.70	0.500
78564-XYHH	9.91	0.390	9.91	0.390	11.43	0.450
71758-XYHH	10.01	0.394	10.01	0.394	8.51	0.335
95731-XYHH	10.03	0.395	2.79	0.110	21.08	0.830
87887-XYHH	10.03	0.395	3.05	0.120	10.80	0.425
87323-XYHH	10.31	0.406	5.56	0.219	19.05	0.750
87324-XYHH	10.31	0.406	10.31	0.406	10.31	0.406
92002-XYHH	10.41	0.410	3.05	0.120	11.43	0.450
94551-XYHH	10.54	0.415	10.54	0.415	7.37	0.290
95116-XYHH	11.30	0.445	2.79	0.110	22.23	0.875
91508-XYHH	12.70	0.500	3.05	0.120	6.81	0.268
91510-XYHH	12.70	0.500	3.05	0.120	8.64	0.340
91509-XYHH	12.70	0.500	3.05	0.120	16.26	0.640

Ordering data shown is for our standard product offering. For non-standard or custom products, contact your authorized Berg Electronics representative.