

### RECEPTACLE STRIPS FOUR SIDED CONTACT PAGE 184

**RS1B**

**26**

**G**

**SERIES INDICATOR**

**RS1B** = Single row, vertical mount 4-sided contact receptacle strip  
**RS2B** = Dual row, vertical mount 4-sided contact receptacle strip  
**RS1BR** = Single row, right angle mount, 3-sided contact receptacle strip  
**RS2BR** = Dual row, right angle mount, 3-sided contact receptacle strip

**PLATING**

**G** = Gold plated  
**T** = Tin plated  
**SG** = Gold plated contact area, tin plated solder tails

**POSITIONS**

Single row: 1 thru 40  
 Dual row: 4 thru 80

### RECEPTACLE STRIPS LOW PROFILE PAGE 183

**RS1L**

**26**

**G**

**SERIES INDICATOR**

**RS1L** = Single row, .216" body height  
**RS2L** = Dual row, .216" body height

**PLATING**

**G** = Gold plated  
**T** = Tin plated

**POSITIONS**

Single row: 1 thru 36  
 Dual row: 4 thru 72

### RECEPTACLE STRIPS BOTTOM, PASS THROUGH OR DUAL ENTRY PAGE 185

**RS2BE**

**A**

**40**

**G**

**SERIES INDICATOR**

**RS1BE** = Single row, vertical mount, bottom, pass through or dual entry receptacle strip  
**RS2BE** = Dual row, vertical mount, bottom, pass through or dual entry receptacle strip

**PLATING**

**G** = Gold plated

**SOLDER TAIL FOOTPRINT**

**A** = .100" x .150"  
**B** = .100" x .200"  
**C** = .100" x .300"  
**Blank** = Single row

**POSITIONS**

Single Row: 1 thru 40  
 Dual Row: 6 Thru 80

### RECEPTACLE STRIPS VERY LOW PROFILE PAGE 187

**RSVL**

**2A**

**26**

**G**

**SERIES INDICATOR**

**RSVL** = Vertical Mount, very low profile receptacle strip

**PLATING**

**G** = Gold plated  
**T** = Tin plated

**PROFILE / NO. OF ROWS**

**1A** = Single row, .138" body height  
**1B** = Single row, .210" body height  
**2A** = Dual row, .138" body height  
**2B** = Dual row, .210" body height

**POSITIONS**

Single Row: 1 Thru 36  
 Dual Row: 4 Thru 72

# ADAM TECH

ADAM TECHNOLOGIES INC.

## INTRODUCTION:

Adam Tech RS Series Receptacle Strips mate with .025" sq. posts and form a variety of precision, modular connections. They are ideally suited for parallel and perpendicular board-to-board connections as well as mating two subsystems together. These receptacles are constructed with precision dual or four sided wipe contacts and each have a anti-overstress feature molded into the insulator. Wide, chamfered angle entry holes enable easy mating and bottom standoffs facilitate post solder cleaning. They mate with any .025" sq. posts on .100" centerlines and are side and end stackable.

## FEATURES:

- Choice of body heights with top or bottom entry
- Dual and four sided wipe contact design
- Spring temper phosphor bronze contacts
- Chamfered wide entry area for easy mating

## MATING OPTIONS:

Adam Tech PH Series Pin Headers and all industry compatible connectors with .025" sq. posts

## SPECIFICATIONS:

### Material:

Insulator: Polybutylene Terephthalate (PBT), glass reinforced thermoplastic, rated UL 94V-0

Contacts: Phosphor Bronze

### Plating:

- G = 5  $\mu$ m gold nom. (optional 30  $\mu$ m) to MIL-G-45204, Type II, Grade C min on contact area over 50  $\mu$ m nickel underplate to QQ-N-290, Class 2, Grade C, gold flash on solder tails
- SG = 5  $\mu$ m gold nom. on mating length to MIL-G-45204, Type II, Grade C, 100  $\mu$ m tin to MIL-P-81738 on solder-tails
- T = 100  $\mu$ m bright tin plate to MIL-T-10727, Type 1 with 50  $\mu$ m copper underplate to MIL-C-14550

### Electrical:

- Operation voltage: 250 VAC max
- Current rating: 3 Amps max
- Contact resistance: 20 m $\Omega$  max
- Insulation resistance: 5000 M $\Omega$  min @ 1500 VDC between adjacent contacts (75°F and 50% R.H.)
- Dielectric withstanding voltage: 1500 VAC min rms (sea level)
- Capacitance: 1.0 pF max between adjacent contacts

### Mechanical:

- Insertion force: 6 ozs. per contact max
- Withdrawal force: 2 ozs. per contact max
- Mating cycles: 250 cycles min
- Contact retention in body: 3 lbs. min
- Mating pin range: .022" sq. to .028" sq.
- Insertion Depth: .080" to .250"

### Environmental:

Operating temperature: -65°C to +125°C

### PACKAGING:

Anti-static plastic trays

### APPROVALS AND CERTIFICATIONS:

Recognized under the component program of Underwriters Laboratories, Inc. No. E167232  
Certified by Canadian Standards Association No. LR75112

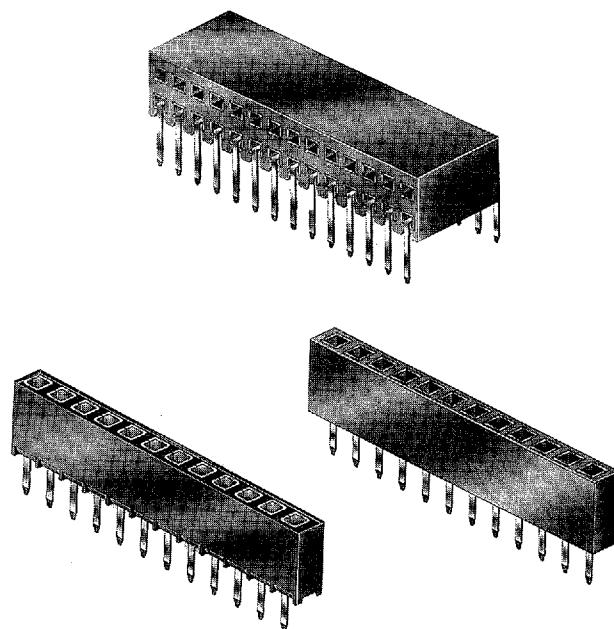


# RECEPTACLE STRIPS

## SINGLE AND DUAL ROW

### .100" [2.54] CENTERLINE

### RS SERIES



## ORDERING INFORMATION



### SERIES INDICATOR

- RS1 = Single row vertical mount receptacle
- RS1R = Single row right angle mount receptacle
- RS2 = Dual row vertical mount receptacle
- RS2R = Dual row right angle mount receptacle

### PLATING

- G = Gold plated
- T = Tin plated
- SG = Gold plating in contact area, Tin-Lead Plated solder tails

### POSITIONS

- Single row: 1 thru 43
- Dual row: 2 thru 80

### OPTIONS:

- Add as suffix to basic part number
- 30 = 30  $\mu$ m gold plating on contact area

9017931 0000203 929

3 Sided Contact

RS2BE - A

**PC Board Layout**

3 Sided Contact

RS2BE - B

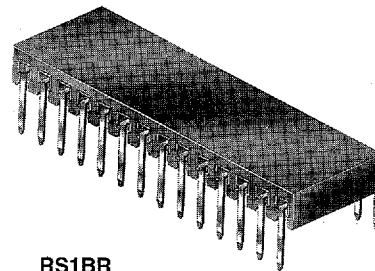
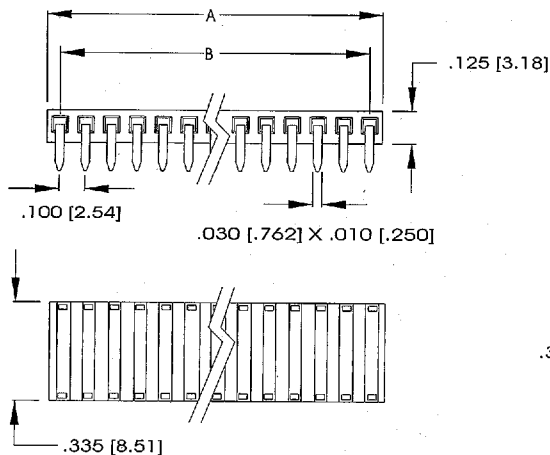
**PC Board Layout**

3 Sided Contact

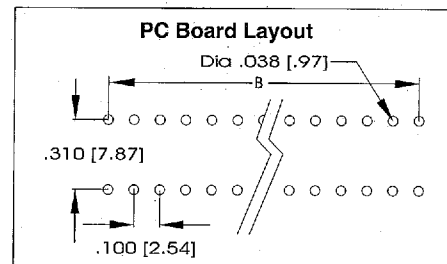
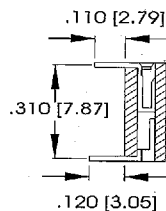
RS2BE - C

**PC Board Layout**

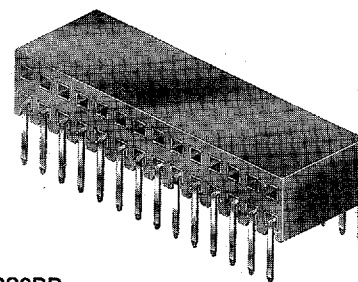
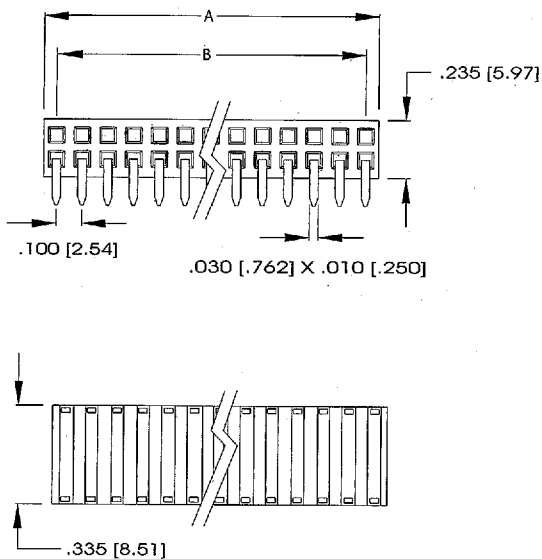
A = .100 [2.54] X No. of Positions Per Row  
 B = .100 [2.54] X No. of Spaces



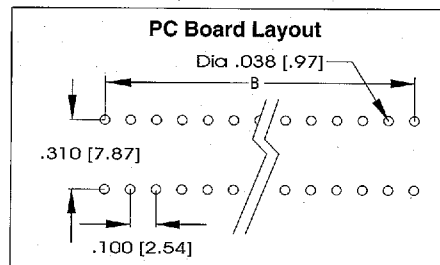
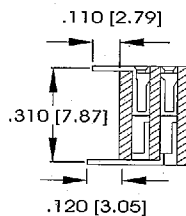
RS1BR



A = .100 [2.54] X No. of Positions  
 B = .100 [2.54] X No. of Spaces



RS2BR



A = .100 [2.54] X No. of Positions Per Row  
 B = .100 [2.54] X No. of Spaces