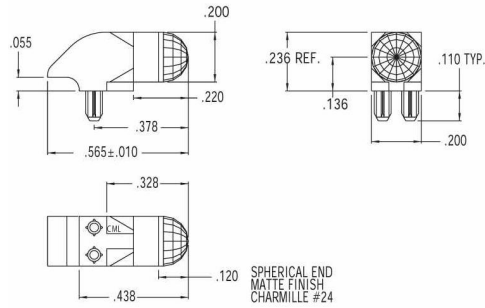


Part Number : 7511G2
 Serial Number : 7511
 Light Pipes



All dimensions in inches.

7511G

Led type	SMD LED
Type	Right Angle, Single Position, Clear
Mounting	PCB Press-In Pin
Works with	7012X Series
Housing ul rating	UL 94-V0
ROHS Status	Yes

Drawn : VG	Ch'd : VG	Datasheet : 7511	Print date : 11/07/06
Revision :	Revision date : 2006-03-06	Name : VG	Scale :