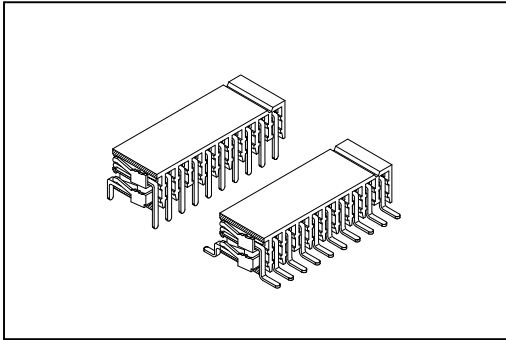


# 2149 Series

P. C. B. Socket 2.00mmX2.00mm(0.079"X0.079")



## Material:

Housing: High Temperature Plastic UL94V-0.

Contacts: Copper Alloy.

## Electrical Characteristics:

Current Rating: 1 A.

Dielectric Withstanding Voltage: AC 500V.

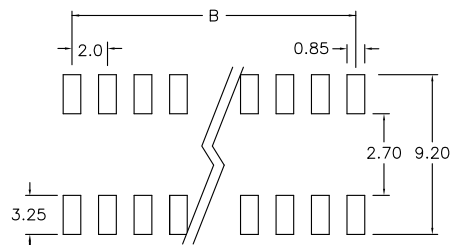
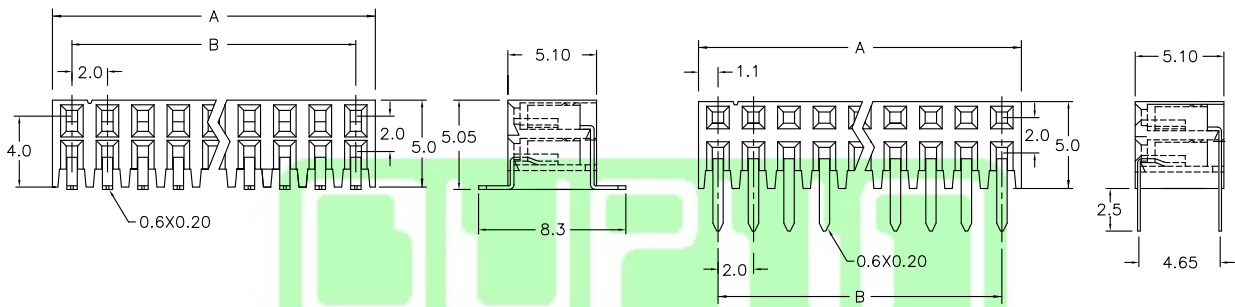
Insulator Resistance: 1000MΩ min.

Contact Resistance: 20mΩ max.

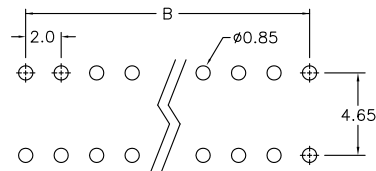
Operating Temperature: -40°C~+105°C.

## Features:

- \* Dip & Surface Mount Side Entry Type.
  - \* Mates with 0.50mm(0.02") square pin.
  - \* Additional plating options available.
- Mates with: 2111,2112.



P.C. Board Layout



P.C. Board Layout

Position Dimension	04 Thru 50
A	2.0 X No. of Positions /2+0.4
B	2.0 X No. of Positions /2-2.0

## Ordering information

2149-  
Series

2 X  
Double Row

25  
No. of  
Pin Per Row

G  
G: Gold Plated

00  
00: G/F

S  
S: Dip Type  
D: SMD Type

U  
U: Tube Package  
T: Tape & Reel Package