

**2SC4270**

UHF Converter, Local Oscillator Applications

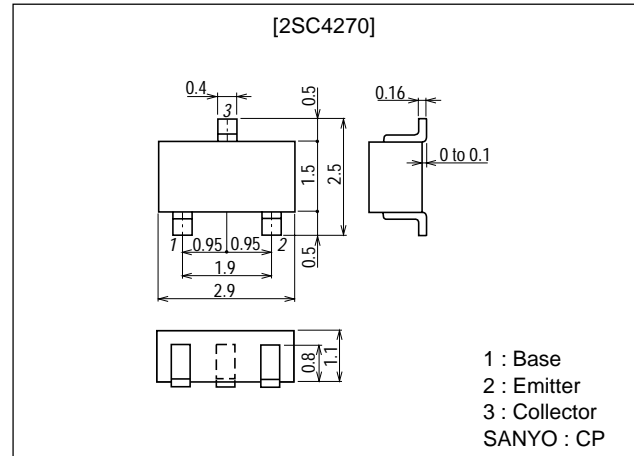
Features

- Small noise figure : NF=3.0dB typ (f=0.9GHz)
- High power gain : PG=12dB typ (f=0.9GHz)
- High cutoff frequency : $f_T=3.0$ GHz typ

Package Dimensions

unit:mm

2018B



Specifications

Absolute Maximum Ratings at Ta = 25°C

Parameter	Symbol	Conditions	Ratings	Unit
Collector-to-Base Voltage	V_{CB0}		25	V
Collector-to-Emitter Voltage	V_{CEO}		15	V
Emitter-to-Base Voltage	V_{EBO}		3	V
Collector Current	I_C		50	mA
Base Current	I_B		20	mA
Collector Dissipation	P_C		250	mW
Junction Temperature	T_j		150	°C
Storage Temperature	T_{stg}		-55 to +150	°C

Electrical Characteristics at Ta = 25°C

Parameter	Symbol	Conditions	Ratings			Unit
			min	typ	max	
Collector Cutoff Current	I_{CB0}	$V_{CB}=20V, I_E=0$			0.1	μA
Emitter Cutoff Current	I_{EBO}	$V_{EB}=2V, I_C=0$			10	μA
DC Current Gain	h_{FE}	$V_{CE}=10V, I_C=5mA$	40*		200*	
Gain-Bandwidth Product	f_T	$V_{CE}=10V, I_C=10mA$	1.5	3.0		GHz
Output Capacitance	C_{ob}	$V_{CB}=10V, f=1MHz$		0.7	1.0	pF
Reverse Transfer Capacitance	C_{re}	$V_{CB}=10V, f=1MHz$		0.45		pF
Power Gain	PG	$V_{CE}=10V, I_C=10mA, f=0.9GHz$		12		dB
Noise Figure	NF	$V_{CE}=10V, I_C=3mA, f=0.9GHz$		3.0		dB

* : The 2SC4270 is classified by 5mA h_{FE} as follows :

Rank	2	3	4
h_{FE}	40 to 80	60 to 120	100 to 200

(Note) Marking : KT
 h_{FE} rank : 2, 3, 4

■ Any and all SANYO products described or contained herein do not have specifications that can handle applications that require extremely high levels of reliability, such as life-support systems, aircraft's control systems, or other applications whose failure can be reasonably expected to result in serious physical and/or material damage. Consult with your SANYO representative nearest you before using any SANYO products described or contained herein in such applications.

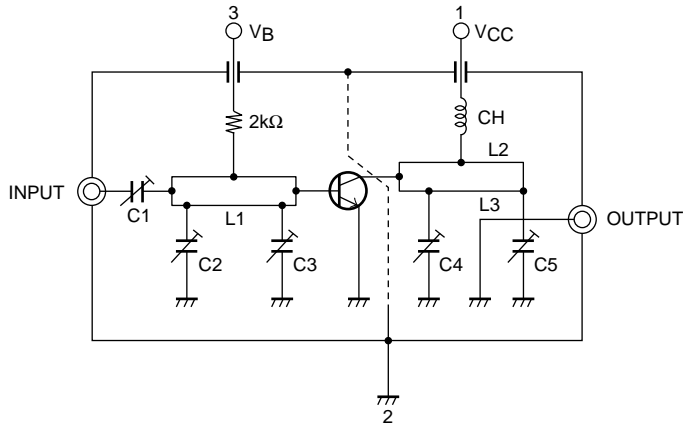
■ SANYO assumes no responsibility for equipment failures that result from using products at values that exceed, even momentarily, rated values (such as maximum ratings, operating condition ranges, or other parameters) listed in products specifications of any and all SANYO products described or contained herein.

SANYO Electric Co., Ltd. Semiconductor Company

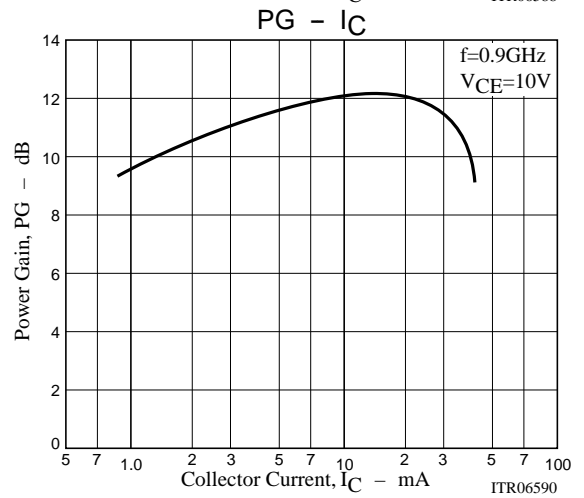
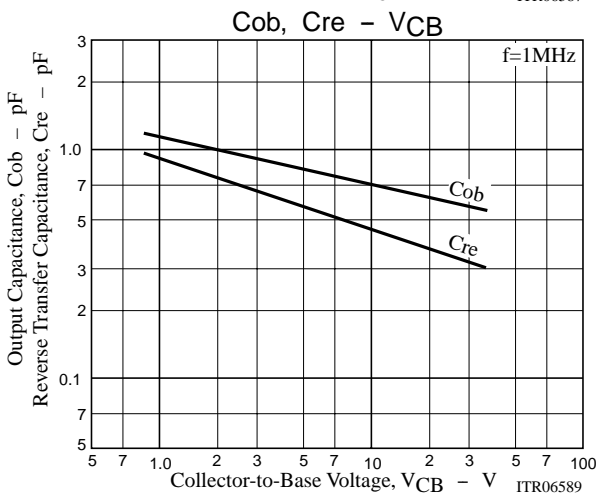
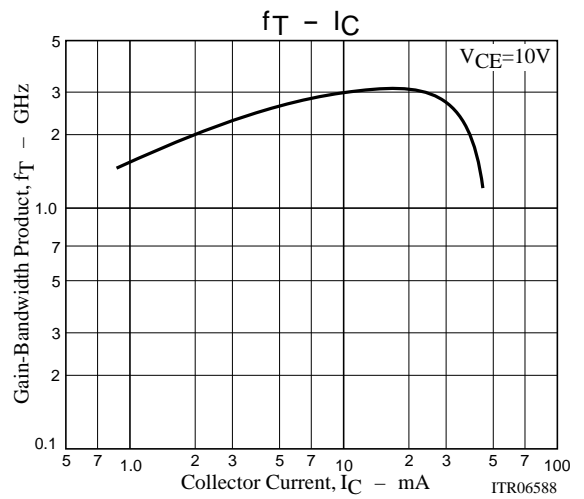
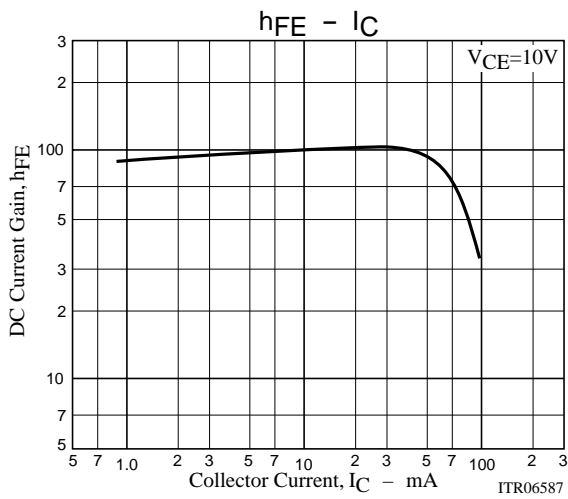
TOKYO OFFICE Tokyo Bldg., 1-10, 1 Chome, Ueno, Taito-ku, TOKYO, 110-8534 JAPAN

2SC4270

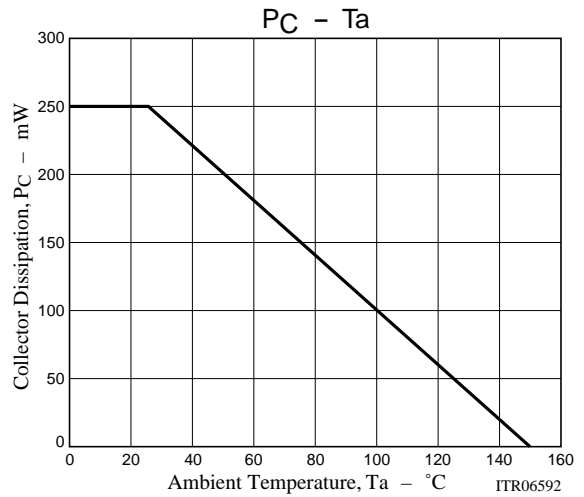
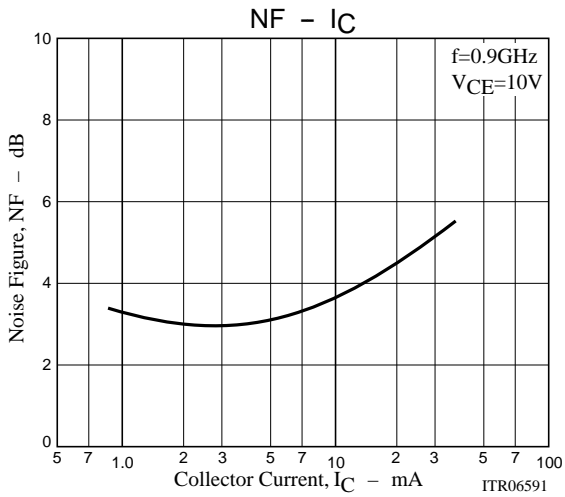
PG, NF Test Circuit



900MHz	
C1	to 5pF
C2	to 10pF
C3	to 10pF
C4	to 10pF
C5	to 10pF
L1	W ≈ 1.5mm, l ≈ 25mm Strip line
L2	W ≈ 4mm, l ≈ 25mm Strip line
L3	0.5φ, l ≈ 40mm
CH	2t+bead core

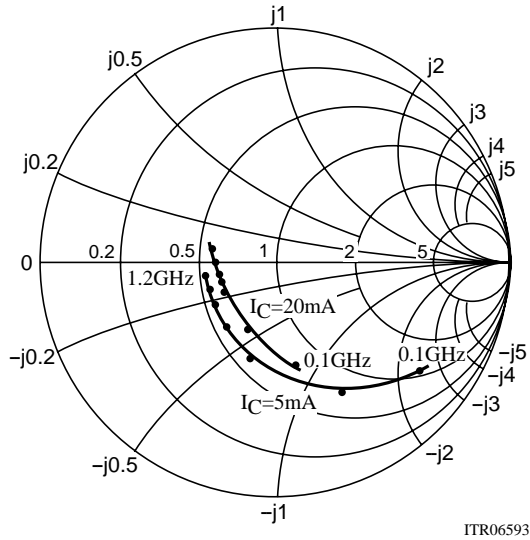


2SC4270

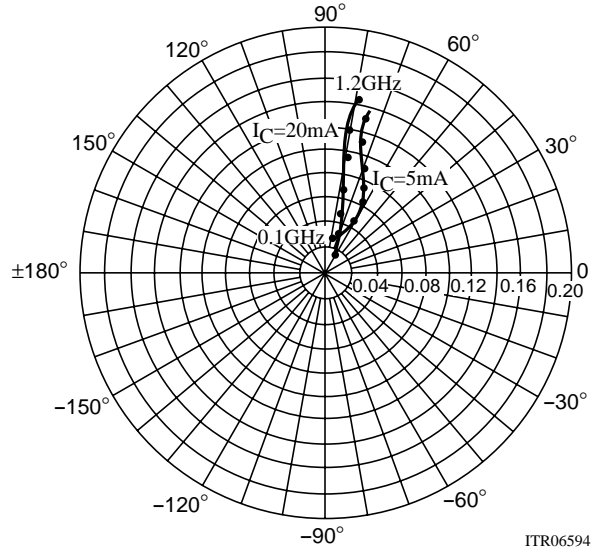


S parameter

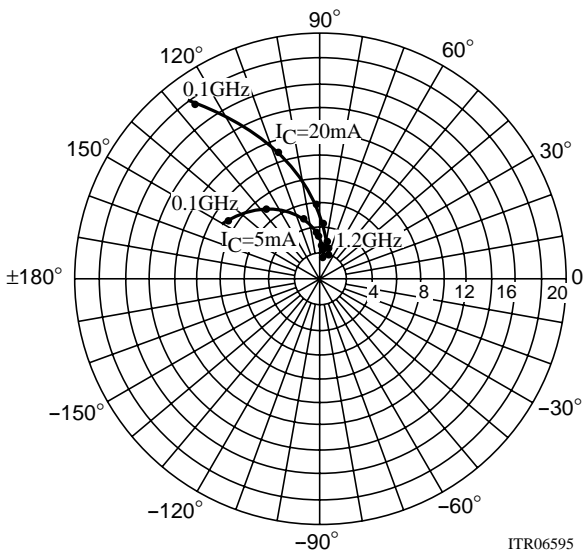
S11e : V_{CE}=10V
 f=100MHz, 200 to 1200MHz(200MHz step)



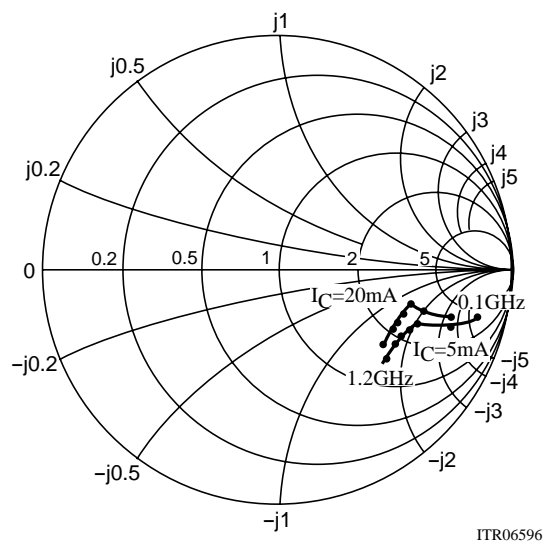
S12e : V_{CE}=10V
 f=100MHz, 200 to 1200MHz(200MHz step)



S21e : V_{CE}=10V
 f=100MHz, 200 to 1200MHz(200MHz step)



S22e : V_{CE}=10V
 f=100MHz, 200 to 1200MHz(200MHz step)



S parameter (Common emitter)

$V_{CE}=10V, I_C=5mA, Z_O=50\Omega$

Freq (MHz)	$ S_{11} $	$\angle S_{11}$	$ S_{21} $	$\angle S_{21}$	$ S_{12} $	$\angle S_{12}$	$ S_{22} $	$\angle S_{22}$
100	0.771	-35.1	8.763	147.2	0.027	69.3	0.890	-14.2
200	0.613	-64.7	7.004	127.6	0.043	59.8	0.780	-19.7
400	0.429	-110.7	4.882	103.1	0.061	58.1	0.660	-22.8
600	0.361	-133.5	3.471	90.5	0.075	63.1	0.625	-25.1
800	0.355	-148.4	2.693	81.6	0.091	68.1	0.612	-28.6
900	0.331	-153.7	2.450	78.9	0.100	70.5	0.609	-29.9
1000	0.328	-158.9	2.236	75.5	0.110	72.5	0.607	-31.6
1200	0.326	-167.9	1.932	69.9	0.130	74.7	0.608	-35.7

$V_{CE}=10V, I_C=20mA, Z_O=50\Omega$

Freq (MHz)	$ S_{11} $	$\angle S_{11}$	$ S_{21} $	$\angle S_{21}$	$ S_{12} $	$\angle S_{12}$	$ S_{22} $	$\angle S_{22}$
100	0.447	-78.1	17.728	125.0	0.020	66.0	0.752	-18.5
200	0.338	-113.2	10.936	107.5	0.031	66.5	0.639	-18.5
400	0.290	-146.6	5.773	91.4	0.052	72.1	0.580	-18.5
600	0.281	-159.3	3.956	83.0	0.074	75.7	0.571	-21.1
800	0.285	-168.8	2.982	76.2	0.095	77.6	0.566	-25.2
900	0.289	-171.3	2.703	74.0	0.106	78.6	0.563	-26.7
1000	0.291	-174.4	2.454	71.3	0.118	79.4	0.565	-28.6
1200	0.297	178.1	2.116	66.5	0.140	79.0	0.569	-33.1

- Specifications of any and all SANYO products described or contained herein stipulate the performance, characteristics, and functions of the described products in the independent state, and are not guarantees of the performance, characteristics, and functions of the described products as mounted in the customer's products or equipment. To verify symptoms and states that cannot be evaluated in an independent device, the customer should always evaluate and test devices mounted in the customer's products or equipment.
- SANYO Electric Co., Ltd. strives to supply high-quality high-reliability products. However, any and all semiconductor products fail with some probability. It is possible that these probabilistic failures could give rise to accidents or events that could endanger human lives, that could give rise to smoke or fire, or that could cause damage to other property. When designing equipment, adopt safety measures so that these kinds of accidents or events cannot occur. Such measures include but are not limited to protective circuits and error prevention circuits for safe design, redundant design, and structural design.
- In the event that any or all SANYO products(including technical data, services) described or contained herein are controlled under any of applicable local export control laws and regulations, such products must not be exported without obtaining the export license from the authorities concerned in accordance with the above law.
- No part of this publication may be reproduced or transmitted in any form or by any means, electronic or mechanical, including photocopying and recording, or any information storage or retrieval system, or otherwise, without the prior written permission of SANYO Electric Co., Ltd.
- Any and all information described or contained herein are subject to change without notice due to product/technology improvement, etc. When designing equipment, refer to the "Delivery Specification" for the SANYO product that you intend to use.
- Information (including circuit diagrams and circuit parameters) herein is for example only ; it is not guaranteed for volume production. SANYO believes information herein is accurate and reliable, but no guarantees are made or implied regarding its use or any infringements of intellectual property rights or other rights of third parties.

This catalog provides information as of August, 2004. Specifications and information herein are subject to change without notice.