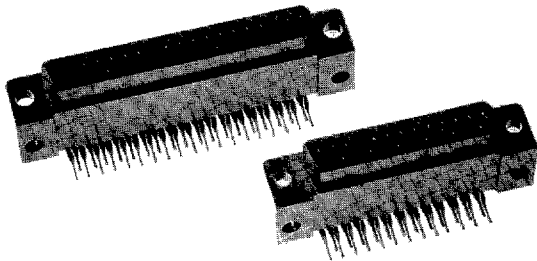


# .109 (2.77 mm) contact centers

A-61-11



## Features

- All plastic, right angle, female receptacle.
- 9, 15, 25 and 37 positions.
- Standard footprint.
- Selective plating with 10 or 30 micro-inches of gold.
- Large cavity lead-in designed for blind mating.

## General Specifications

### MATERIALS

*Insulator:* Black, glass filled thermoplastic polyester Valox UL94V-0.

*Contacts:* Phosphor Bronze.

### ELECTRICAL

*Insulation Resistance:* 5000 Megaohms.

*Dielectric Withstanding Voltage:* 1500 VAC minimum.

*Current Rating:* 5 Amperes.

*Contact Resistance:* 10 milliohms maximum at rated current.

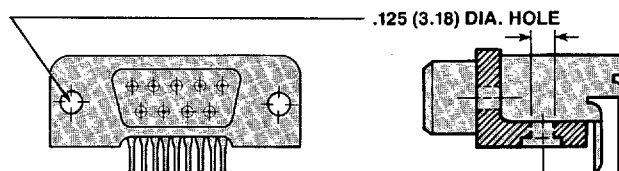
### ENVIRONMENTAL

*Solvent Resistance:* Perchloroethylene, Freon 113, Freon 11, Trichloroethylene.

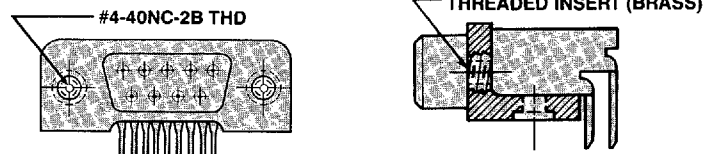
*Operating Temperature:* -65°C to +125°C.

## Mounting Style

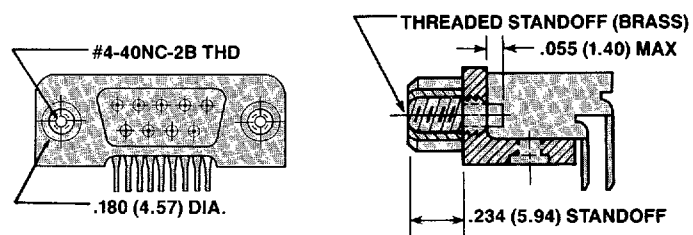
**H** — Standard Mounting  
.125 Dia. Clearance Hole



**I** — Threaded Insert



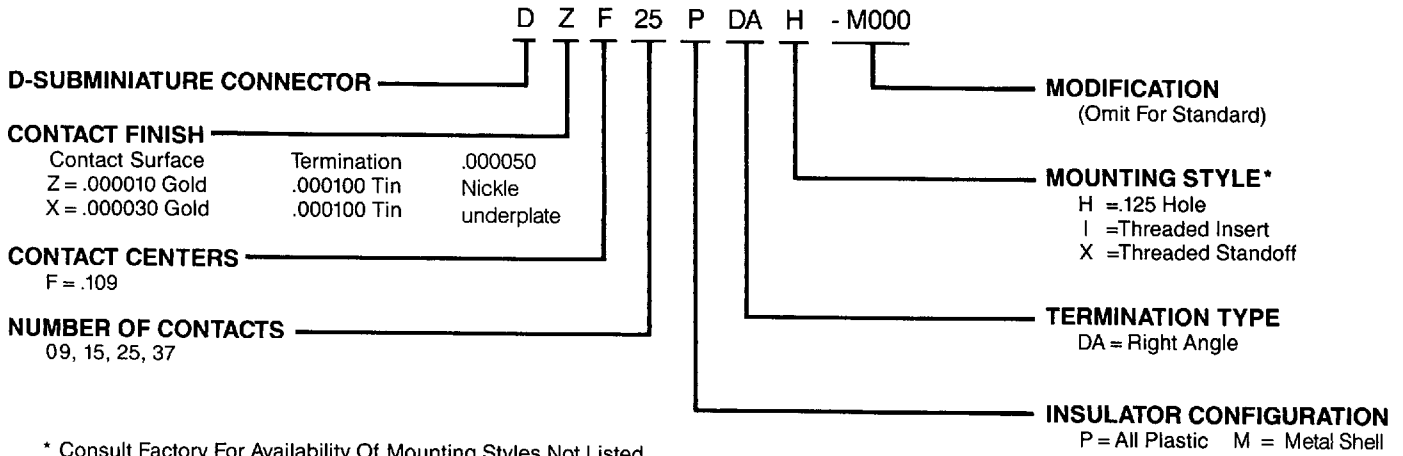
**X** — Threaded Standoff



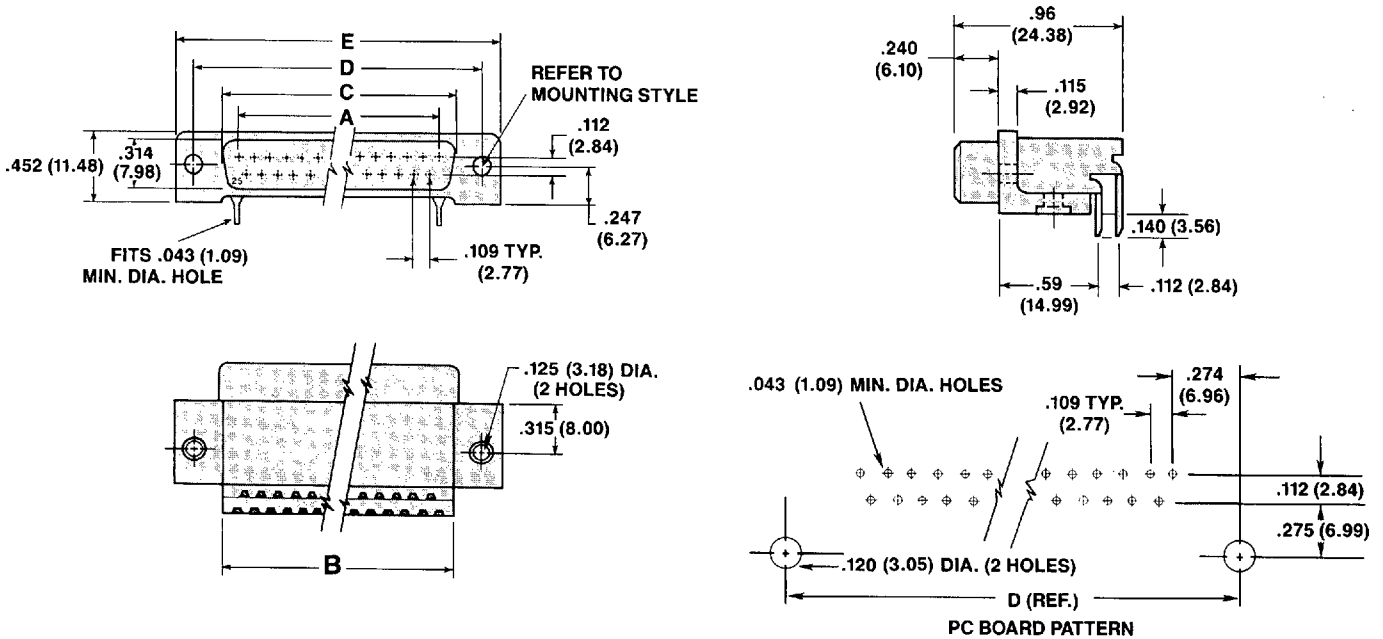
# D-Subminiature Connectors

**Sullins** orderline:  
**619/744-0125**  
 Fax/744-6081

## Part Number Coding



## Dimensions



Part Number †	NUMBER OF CONTACTS	INCHES					MILLIMETERS				
		A	B	C	D	E	A	B	C	D	E
DZFO9PDA__	9	.436	.624	.646	.984	1.224	11.07	15.85	16.41	24.99	31.09
DZF15PDA__	15	.763	.952	.974	1.312	1.552	19.38	24.18	24.74	33.22	39.42
DZF25PDA__	25	1.308	1.492	1.514	1.852	2.092	33.22	37.90	38.46	47.04	53.14
DZF37PDA__	37	1.962	2.140	2.162	2.500	2.740	49.83	54.36	54.91	63.50	69.60

† For complete part number add mounting style from Part Number Coding (e.g. DZF09PDAH)