

**NUMERICAL INDEX
TO INDUSTRIAL
GRADE POWER
TRANSISTORS
(Continued)**

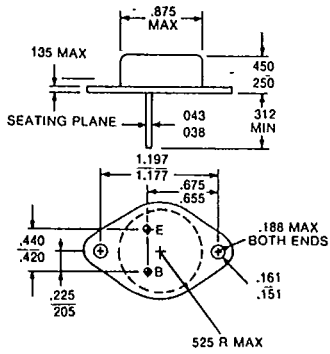
Type	Polarity	I _c Max Amps	V _{CE0} (sus) Volts	Package
2N4999	PNP	2.0	80	TO-59
2N5000	NPN	2.0	80	TO-111
2N5001	PNP	2.0	80	TO-59
2N5002	NPN	5.0	80	TO-111
2N5003	PNP	5.0	80	TO-59
2N5004	NPN	5.0	80	TO-111
2N5005	PNP	5.0	80	TO-59
2N5006	NPN	10.0	80	TO-61
2N5007	PNP	10.0	80	TO-61
2N5008	NPN	10.0	80	TO-61
2N5009	PNP	10.0	80	TO-61
2N5010	NPN	0.5	500(V _{CE0})	TO-39/TO-5
2N5011	NPN	0.5	600(V _{CE0})	TO-39/TO-5
2N5012	NPN	0.5	700(V _{CE0})	TO-39/TO-5
2N5013	NPN	0.5	800(V _{CE0})	TO-39/TO-5
2N5014	NPN	0.5	900(V _{CE0})	TO-5
2N5015	NPN	0.5	1000(V _{CE0})	TO-5
2N5038	NPN	20.0	90	TO-3
2N5039	NPN	20.0	75	TO-3
2N5048	NPN	10.0	100	TO-61
2N5049	NPN	10.0	50	TO-61
2N5050	NPN	2.0	125	TO-66
2N5051	NPN	2.0	150	TO-66
2N5052	NPN	2.0	200	TO-66
2N5058	NPN	0.15	300	TO-39/TO-5
2N5059	NPN	0.15	250	TO-39/TO-5
2N5067	NPN	5.0	40	TO-3
2N5068	NPN	5.0	60	TO-3
2N5069	NPN	5.0	80	TO-3
2N5074	NPN	3.0	200	TO-111
2N5075	NPN	3.0	200	TO-111
2N5076	NPN	3.0	250	TO-111
2N5077	NPN	3.0	250	TO-111
2N5083	NPN	10.0	60	TO-111
2N5084	NPN	10.0	60	TO-111
2N5085	NPN	10.0	80	TO-111
2N5091	PNP	1.0	300	TO-39/TO-5
2N5092	NPN	1.0	350	TO-39/TO-5
2N5093	PNP	1.0	350	TO-39/TO-5
2N5094	PNP	1.0	400	TO-39/TO-5
2N5095	NPN	1.0	400	TO-39/TO-5
2N5096	PNP	1.0	450	TO-39/TO-5
2N5097	NPN	1.0	450	TO-39/TO-5
2N5098	NPN	1.0	500	TO-39/TO-5
2N5099	NPN	1.0	550	TO-39/TO-5
2N5100	PNP	1.0	400	MD-14
2N5101	NPN	1.0	400	MD-14
2N5110	PNP	0.1	40	TO-5
2N5111	PNP	0.1	80	TO-5
2N5112	PNP	1.0	40	TO-59
2N5113	PNP	1.0	80	TO-59
2N5147	PNP	2.0	80	TO-39/TO-5
2N5148	NPN	2.0	80	TO-39/TO-5
2N5149	PNP	2.0	80	TO-39/TO-5
2N5150	NPN	2.0	80	TO-39/TO-5

Type	Polarity	I _c Max Amps	V _{CE0} (sus) Volts	Package
2N5151	PNP	5.0	80	TO-39/TO-5
2N5152	NPN	2.0	80	TO-39/TO-5
2N5153	PNP	5.0	80	TO-39/TO-5
2N5154	NPN	2.0	80	TO-39/TO-5
2N5157	NPN	3.5	500(V _{CE0})	TO-3
2N5202	NPN	4.0	50	TO-66
2N5218	NPN	10.0	200	TO-61
2N5237	NPN	5.0	120	TO-39/TO-5
2N5238	NPN	5.0	170	TO-39/TO-5
2N5239	NPN	5.0	250(V _{CE0})	TO-3
2N5240	NPN	5.0	350(V _{CE0})	TO-3
2N5241	NPN	5.0	325	TO-3
2N5250	NPN	90.0	100	TO-114
2N5251	NPN	90.0	150	TO-114
2N5280	NPN	1.0	300	MD-14
2N5281	PNP	1.0	150	TO-5
2N5282	PNP	1.0	300	TO-5
2N5284	NPN	5.0	100	TO-111
2N5285	NPN	5.0	100	TO-111
2N5286	PNP	5.0	100	TO-59
2N5287	PNP	5.0	100	TO-59
2N5288	NPN	10.0	100	TO-61
2N5289	NPN	10.0	100	TO-61
2N5290	PNP	10.0	100	TO-61
2N5291	PNP	10.0	100	TO-61
2N5301	NPN	30.0	40	TO-3
2N5302	NPN	30.0	60	TO-3
2N5303	NPN	20.0	80	TO-3
2N5312	PNP	10.0	80	TO-61
2N5313	NPN	10.0	80	TO-61
2N5314	PNP	10.0	100	TO-61
2N5315	NPN	10.0	100	TO-61
2N5316	PNP	10.0	80	TO-61
2N5317	NPN	10.0	80	TO-61
2N5318	PNP	10.0	100	TO-61
2N5319	NPN	10.0	100	TO-61
2N5320	NPN	2.0	75	TO-5
2N5321	NPN	2.0	50	TO-5
2N5326	NPN	5.0	80	TO-59
2N5327	NPN	5.0	120	TO-5
2N5328	NPN	5.0	170	TO-5
2N5329	NPN	20.0	90	TO-61
2N5330	NPN	30.0	90	TO-61
2N5331	NPN	30.0	90	TO-63
2N5333	PNP	2.0	80	TO-5
2N5334	NPN	3.0	60	TO-39/TO-5
2N5335	NPN	3.0	80	TO-39/TO-5
2N5336	NPN	5.0	80	TO-39/TO-5
2N5337	NPN	5.0	80	TO-39/TO-5
2N5338	NPN	5.0	100	TO-39/TO-5
2N5339	NPN	5.0	100	TO-39/TO-5
2N5344	PNP	1.0	250	TO-66
2N5345	PNP	1.0	300	TO-66
2N5346	NPN	7.0	80	TO-111
2N5347	NPN	7.0	80	TO-111

For additional JEDEC 2NXXXX, see numerical index on page 9.

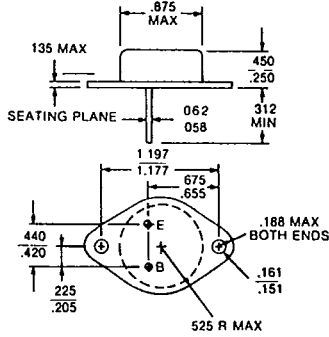
PACKAGE DESCRIPTIONS AND OUTLINE DRAWINGS

TO-3 PACKAGE



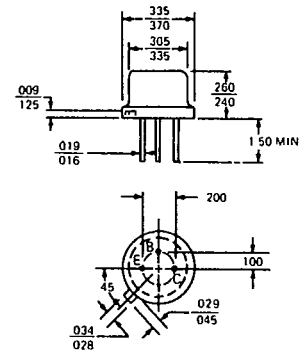
Collector is connected to case.

MODIFIED TO-3 PACKAGE
(60 mil pins)



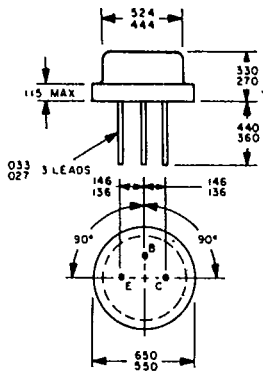
Collector is connected to case.

TO-5 PACKAGE



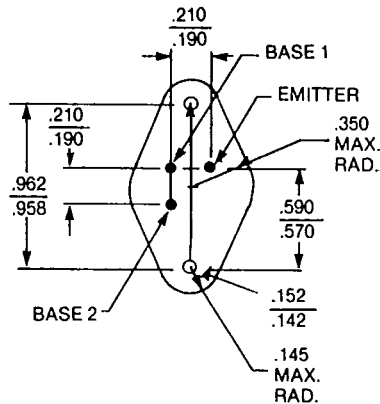
Collector is connected to case.

TO-8 PACKAGE



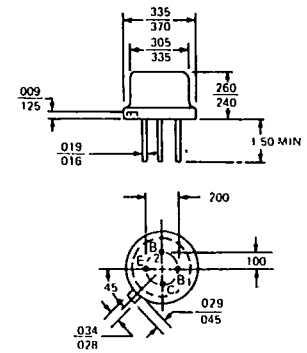
Collector is connected to case.

F-24 PACKAGE
(3-LEADED TO-66)



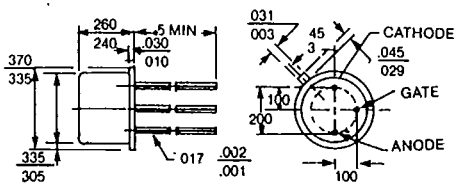
Collector is connected to case.

TO-33 PACKAGE



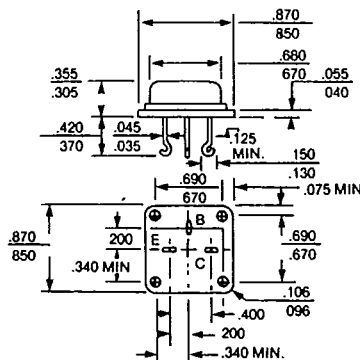
Collector is connected to case.

TO-39 PACKAGE



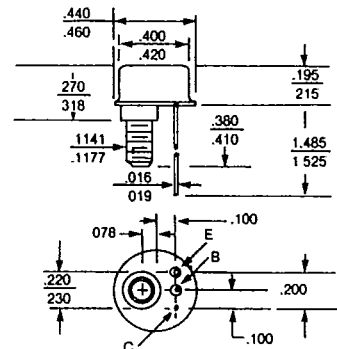
Collector is connected to case.

TO-53 PACKAGE



Collector is connected to case.

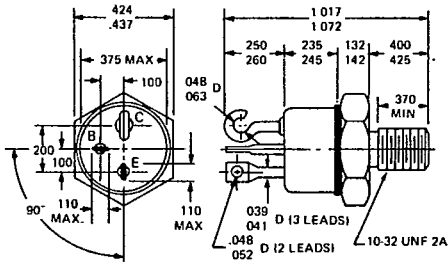
TO-57 PACKAGE



Collector is connected to case.

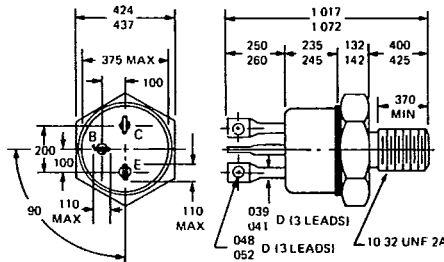
T-33-11

TO-59 PACKAGE



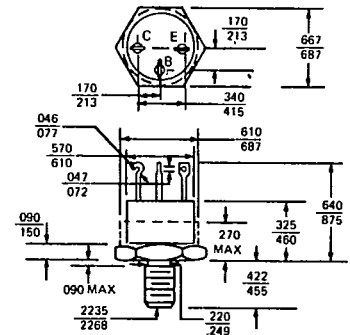
Collector is connected to case.

**TO-59 PACKAGE
ISOLATED COLLECTOR**



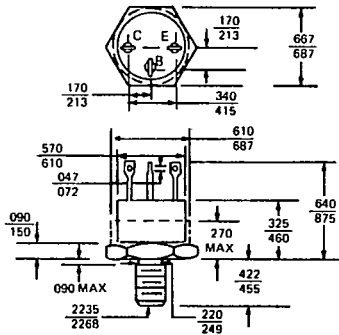
Collector is electrically isolated from case.

TO-61 PACKAGE



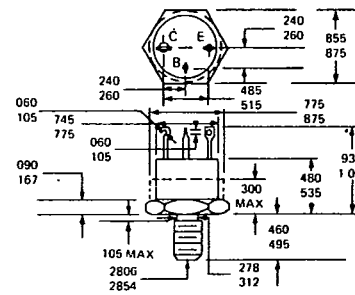
Collector is connected to case.

**TO-61 PACKAGE
ISOLATED COLLECTOR**



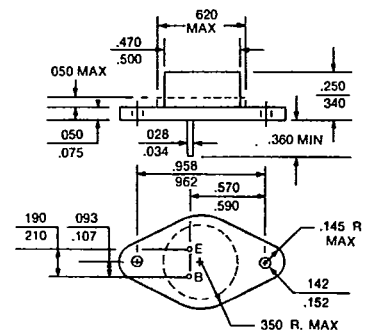
Collector is electrically isolated from case.

TO-63 PACKAGE



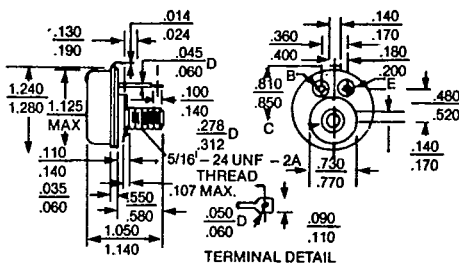
Collector is connected to case.

TO-66 PACKAGE



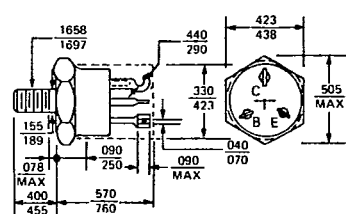
Collector is connected to case.

TO-82 PACKAGE



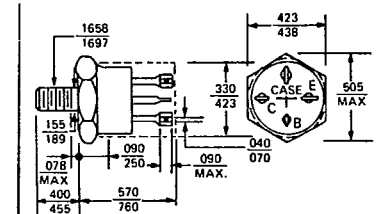
Collector is connected to case.

TO-111 PACKAGE



Collector is connected to case.

**TO-111 PACKAGE
ISOLATED COLLECTOR**



Collector is electrically isolated from case.