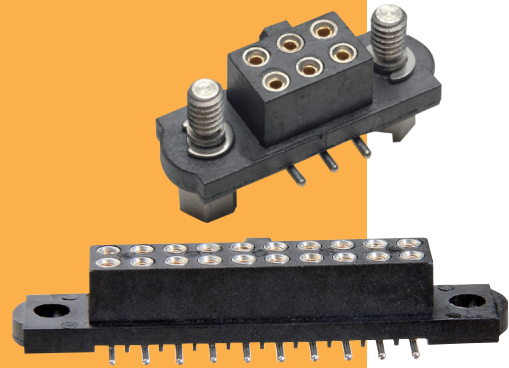


# Datamate J-Tek Connectors

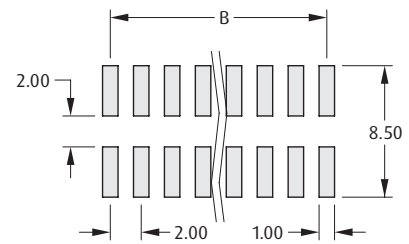
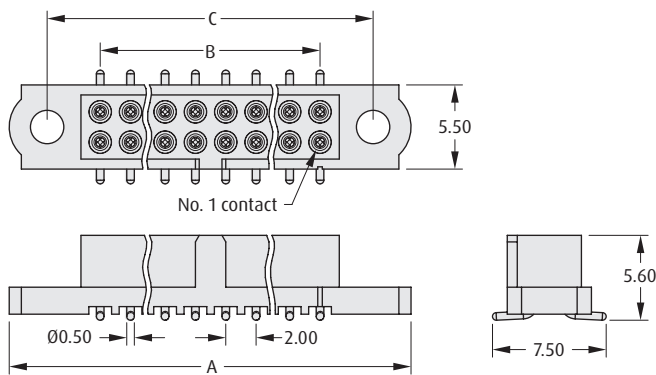
## Female Vertical Surface Mount

- Mates with all Datamate J-Tek male connectors with compatible jackscrews.
- Gull wing SMT tails simplify inspection process.
- Optional pick and place cap.
- Contact [datamate@harwin.com](mailto:datamate@harwin.com) for tape and reel options.



DATAMATE J-TEK

### WITHOUT JACKSCREWS

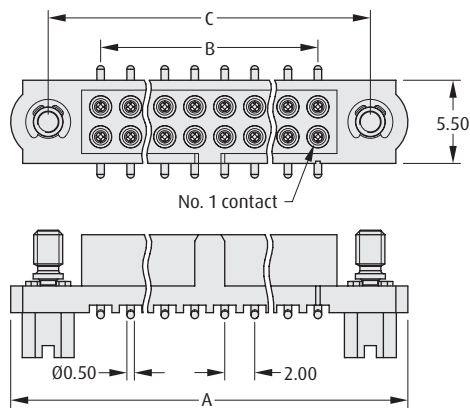


Recommended PC Board Pattern

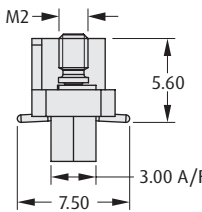
### CALCULATION

<b>A</b>	$B + 12$
<b>B</b>	Total no. of contacts - 2
<b>C</b>	$B + 7$

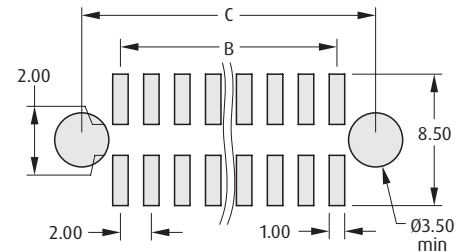
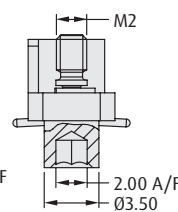
### WITH JACKSCREWS



#### Hex Slotted Jackscrew



#### Hex Socket Jackscrew



Recommended PC Board Pattern

### HOW TO ORDER

**M80 - 4 X 2 XX XX P**

SERIES CODE

TYPE

<b>0</b>	With Hex Slotted Jackscrews
<b>1</b>	Without Jackscrews
<b>2</b>	With Hex Socket Jackscrews

TOTAL NO. OF CONTACTS

04, 06, 08, 10, 12, 14, 20, 26, 34, 42, 50

PICK AND PLACE CAP

<b>BLANK</b>	No cap
<b>P</b>	Pick and place cap

FINISH

<b>05</b>	Gold
<b>42</b>	Gold + Tin

All dimensions in mm.