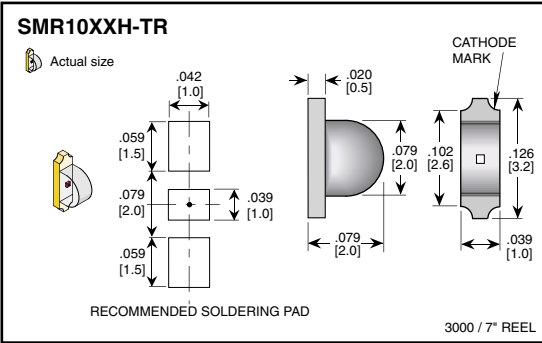




Vertical and Right Angle for Light Pipes & Backlighting

SurfLED™ Surface Mount LEDs

3x1mm Right Angle SurfLED



Direct Cross to:

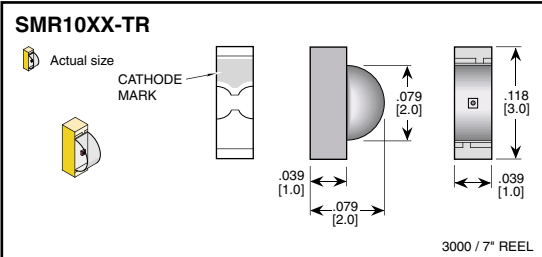
Stanley: BR1101F, AA1101F, AY1101F, PY1101F, PG1101F, BG1101F

Lumex: SML-LXR85 (SRC, IC, SYC, YC, GC)

IDI: CMD12-21 (SRC, VRC, VYC, VGC, UGC)

Part Number	LED Color	Lens Type/ Color	Electrical-Optical Characteristics (Ta = 25°C)				Full Viewing Angle
			If = mA typ	Iv mcd typ	Vf = V typ/max	P nm	
SMR10R3KH-TR	SP RED	WATER-CLEAR	20	67.5	2.0/2.6	660	120°
SMR10R6H-TR	UL RED		20	45.0	1.7/2.6	660	
SMR10R4H-TR	HE RED		20	18.0	2.0/2.6	635	
SMR10O3KH-TR	SP ORANGE		20	90.0	2.0/2.6	620	
SMR10O4H-TR	ORANGE		20	22.5	2.0/2.6	610	
SMR10Y3KH-TR	SP YELLOW		20	90.0	2.1/2.6	595	
SMR10Y4H-TR	YELLOW		20	15.0	2.1/2.6	585	
SMR10G4H-TR	GREEN		20	22.5	2.2/2.6	568	
SMR10G5H-TR	UL GREEN		20	27.0	2.2/2.6	568	
SMR10PG4H-TR	PURE GREEN		20	2.2	2.2/2.6	555	
SMR10TR6H-TR	UL RED	DIFFUSED	20	18.0	1.7/2.6	660	160°
SMR10TR4H-TR	HE RED		20	9.0	2.0/2.6	635	
SMR10TY4H-TR	YELLOW		20	9.0	2.1/2.6	585	
SMR10TG4H-TR	GREEN		20	11.0	2.2/2.6	568	
SMR10TPG4H-TR	PURE GREEN		20	1.5	2.2/2.6	555	

3x1mm Right Angle SurfLED



Direct Cross to:

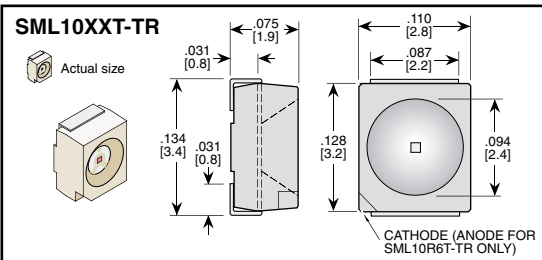
Stanley: BR1101F, AA1101F, AY1101F, PY1101F, PG1101F, BG1101F

Lumex: SML-LXR85 (SRC, IC, SYC, YC, GC)

IDI: CMD11-21 (SRC, VRC, VYC, VGC, UBC)

Part Number	LED Color	Lens Type/ Color	Electrical-Optical Characteristics (Ta = 25°C)				Full Viewing Angle
			If = mA typ	Iv mcd typ	Vf = V typ/max	P nm	
SMR10R6-TR	UL RED	CLEAR	20	12.4	1.7/2.3	660	130°
SMRL10O4-TR	ORANGE		20	3.0	2.2/2.8	605	
SMR10Y4-TR	YELLOW		20	3.0	2.2/2.8	580	
SMR10LY4-TR	LIME YELLOW		20	8.8	2.1/2.8	570	
SMR10G4-TR	GREEN		20	5.2	2.1/2.8	560	
SMR10PG4-TR	PURE GREEN		20	2.4	2.1/2.8	555	

3.4x2.8mm SurfLED



Direct Cross to:

Siemens: LH T674, LB T670, LG T670, LO T670, LP T670, LS T670, LY T670

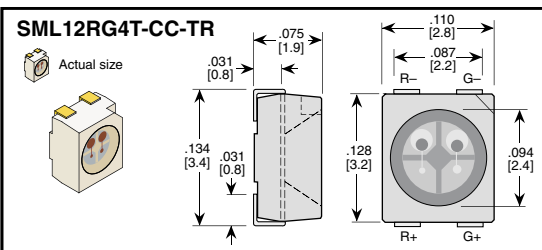
HP: HSMA-T425, HSMD-T425, HSMJ-T425, HSMH-T400, HSMS-T400, HSMG-T400, HSMY-T400, HSMG-T400, HSME-T400

Dialight: 597-3001-207, 597-3121-207, 597-3301-207, 597-3401-207

Lumex: SML-LX3032 (SRC, IC, SYC, YC, GC, SBC)

Part Number	LED Color	Lens Type/ Color	Electrical-Optical Characteristics (Ta = 25°C)				Full Viewing Angle
			If = mA typ	Iv mcd typ	Vf = V typ/max	P nm	
SML10R6T-TR	UL RED	WATER-CLEAR	20	54.0	1.7/2.6	660	120°
SML10R4T-TR	HE RED		20	14.5	2.0/2.6	635	
SML10O4T-TR	ORANGE		20	18.0	2.0/2.6	610	
SML10O3KT-TR	SP ORANGE		20	72.0	2.0/2.6	620	
SML10Y3KT-TR	SP YELLOW		20	72.0	2.0/2.6	595	
SML10Y4T-TR	YELLOW		20	21.5	2.1/2.6	585	
SML10G4T-TR	GREEN		20	18.0	2.2/2.6	565	
SML10PG4T-TR	PURE GREEN		20	1.8	2.2/2.6	555	
SML10UB500T-TR	UL BLUE		20	12.0	3.6/5.0	430	

3.4x2.8mm Bi-Color SurfLED



Direct Cross to:

Lumex: SML-LX3032 (YGC, IYC, IGC, GYC)

Part Number	LED Color	Lens Type/ Color	Electrical-Optical Characteristics (Ta = 25°C)				Full Viewing Angle
			If = mA typ	Iv mcd typ	Vf = V typ/max	P nm	
SML12RG4T-CC-TR	HE RED	WATER-CLEAR	20	14.5	2.0/2.6	635	120°
	GREEN		20	18.0	2.2/2.6	568	

