

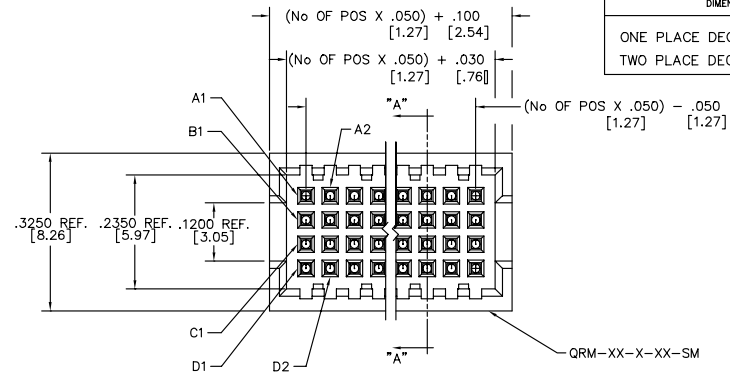
REV. Y

UNLESS OTHERWISE NOTED

DIMENSIONS ARE IN INCHES		TOLERANCES ARE:
ONE PLACE DECIMALS ± .1	THREE PLACE DECIMALS ± .005	ANGLES ± 5°
TWO PLACE DECIMALS ± .01	FOUR PLACE DECIMALS ± .0020	

TITLE: SURFACE MOUNT
 .050 X .050
 4 ROW SHROUDED
 TERMINAL STRIP

DWG NO: MOLC-1XX-XX-XXX-X-XX-X
 SHEET 1 of 1



MOLC-1XX-XX-XXX-X-XX-X

No OF POSITIONS
 -05 THRU -50

LEAD STYLE
 -02: SURFACE MOUNT

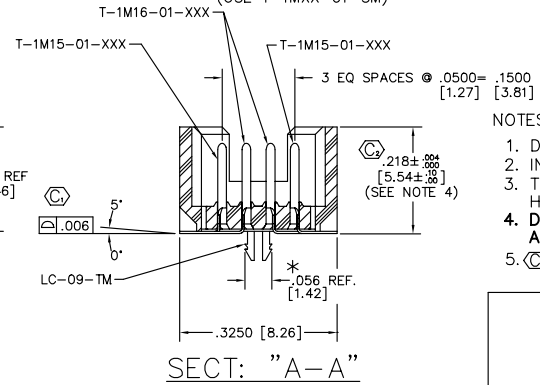
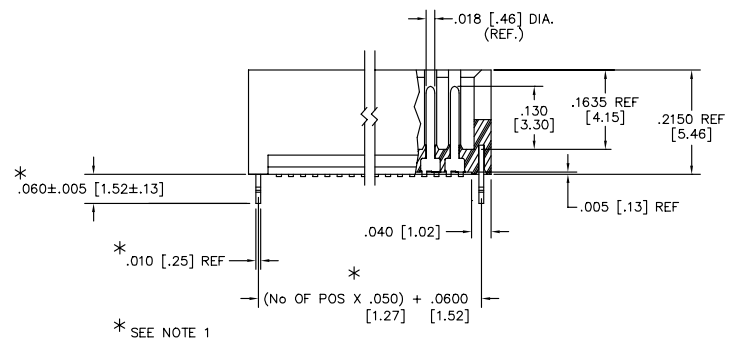
PLATING SPECIFICATIONS

- S: SELECTIVE GOLD WITH TIN ON THE TAIL (USE T-1MXX-01-S)
- H: HEAVY GOLD ON POSTS WITH FLASH GOLD ON TAIL (USE T-1MXX-01-H)
- STL: SELECTIVE GOLD WITH TIN/LEAD ON THE TAIL (USE T-1MXX-01-STL)
- SM: HEAVY GOLD SELECTIVE, MATTE TIN TAIL (USE T-1MXX-01-SM)

- OPTION
- P: PICK AND PLACE PAD (USE PPP-19)
 - TR: TAPE & REEL

- OPTION
- LC: LOCKING CLIP (USE LC-09-TM)

- BODY SPECIFICATION
- Q: 4 ROW (USE QRM-XX-Q-01-SM)

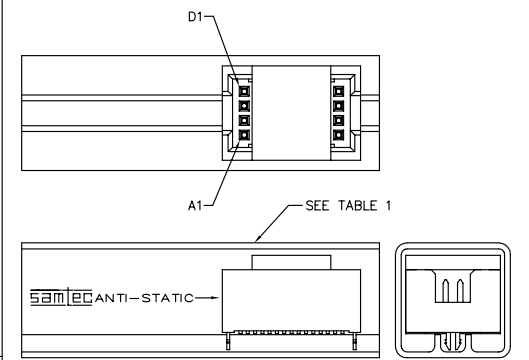
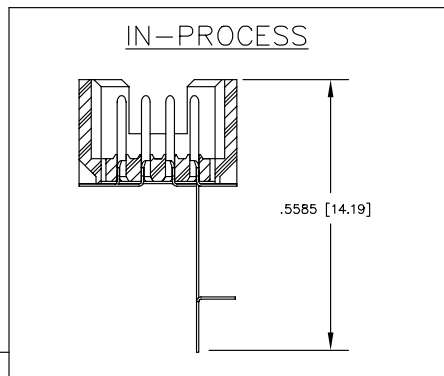
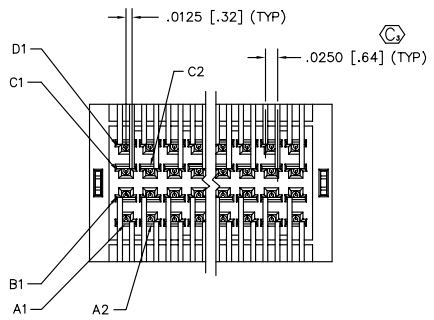


NOTES:

1. DIMENSIONS PERTAIN TO -LC OPTION ONLY.
2. INSULATOR MATERIAL: VECTRA E130
3. TERMINAL MATERIAL: ".0045" BeCu 1/2 HARD 172, HEAT TREATED.
4. DIMENSION TO BE MEASURED AT BEND OF THE LEAD, AND LEADS MUST REST ON PLASTIC RIBS.
5. Ⓢ REPRESENTS CRITICAL DIMENSION FOR

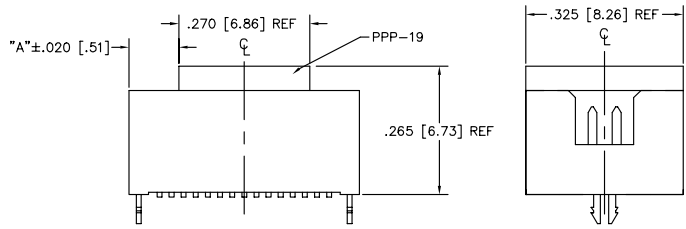
TABLE 1

OPTION	TUBE	PLUG
BLANK, -LC	PT-1-24-04-38	TP-03
-P	PT-1-24-03-38	TP-03



"A" = $\frac{(\text{NO. OF POS. X } .050 [1.27]) + .100 [2.54]}{2} - .135$

Do not scale from this print



-P: PICK AND PLACE PAD

PROPRIETARY NOTE
 THIS DOCUMENT CONTAINS INFORMATION CONFIDENTIAL AND PROPRIETARY TO SAMTEC INC. AND SHALL NOT BE REPRODUCED OR TRANSMITTED TO OTHER DOCUMENTS OR DISCLOSED TO OTHERS OR USED FOR ANY PURPOSE OTHER THAN THAT FOR WHICH IT WAS OBTAINED WITHOUT THE EXPRESSED WRITTEN CONSENT OF SAMTEC INC.

MATERIAL:
 INSULATOR:
 LIQUID CRYSTAL POLYMER
 CONTACT:
 PHOSPHOR BRONZE

PACKAGE PARTS IN TUBE AS SHOWN

samtec

520 PARK EAST BLVD. NEW ALBANY, INDIANA 47150
 PHONE (812) 944-6733 P.O. BOX 1147
 CODE 55322

MADE BY: GREG REIDINGER 3-29-93
 CHECKED BY: McCARTIN

ENG APPROVAL
 DEM

MOLC-1XX-XX-XXX-X-XX-X
 SHEET 1 of 1