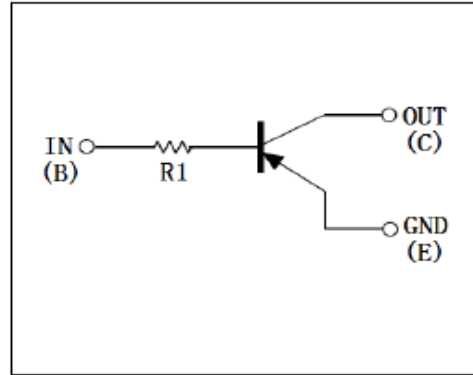


Small Signal Product

PNP Small Signal Transistor

FEATURES

- Built-in bias resistors enable the configuration of an inverter circuit without connecting external input resistor (see equivalent circuit).
- The bias resistors consist of thin-film resistors with complete isolation to allow negative biasing of the input. They also have the advantage of almost completely eliminating parasitic effects.
- Only the on/off conditions need to be set for operation, marking device design easy.
- Packing code with suffix "G" means green compound (halogen-free)



Equivalent Circuit

MAXIMUM RATINGS AND ELECTRICAL CHARACTERISTICS (T _A =25°C unless otherwise noted)				
PARAMETER	SYMBOL	VALUE		UNIT
		TM	TSA	
Power Dissipation	P _D	100	300	mW
Collector-Base Voltage	V _{(BR)CBO}	-50		V
Collector-Emitter Voltage	V _{(BR)CEO}	-50		V
Emitter-Base Voltage	V _{(BR)EBO}	-5		V
Collector Current	I _C	-100		mA
Junction and Storage Temperature Range	T _J , T _{STG}	-55 to + 150		°C

PARAMETER	SYMBOL	MIN	TYP	MAX	CONDITION	UNIT
Collector-Base Breakdown Voltage	V _{(BR)CBO}	-50	-	-	I _C = -50μA , I _E =0	V
Collector-Emitter Breakdown Voltage	V _{(BR)CEO}	-50	-	-	I _C = -1mA , I _B =0	V
Emitter-Base Breakdown Voltage	V _{(BR)EBO}	-5	-	-	I _E = -50μA , I _C =0	V
Collector Cut-Off Current	I _{CBO}	-	-	-0.5	V _{CB} = -50V , I _E =0	μA
Emitter Cut-Off Current	I _{EBO}	-	-	-0.5	V _{EB} = -4V , I _C =0	μA
DC Current Gain	V _{CE(sat)}	-	-	-0.3	I _C = -5mA , I _B = -0.25mA	V
Input Resistance	h _{FE}	100	-	600	V _{CE} = -5V , I _C = -1mA	
Resistance Ratio	R ₁	3.29	4.7	6.11		KΩ
Transition Frequency	f _T	-	250	-	V _{CE} = -10V , I _E =5mA , f=100MHz	MHz

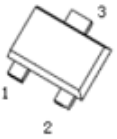

Small Signal Product

ORDERING INFORMATION				
PART NO.	PACKING CODE	PACKING CODE SUFFIX (*)	PACKAGE	PACKING
DTA143TM	RM	G	SOT-723	8K / 7" Reel
DTA143TSA	A3		TO-92S	3K / Box (Ammo)
	B3			10K / Box (Bulk)

*: Optional available

EXAMPLE				
PREFERRED P/N	PART NO.	PACKING CODE	PACKING CODE SUFFIX	DESCRIPTION
DTA143TM RMG	DTA143TM	RM	G	Green compound

PIN CONNENCTIONS AND MARKING

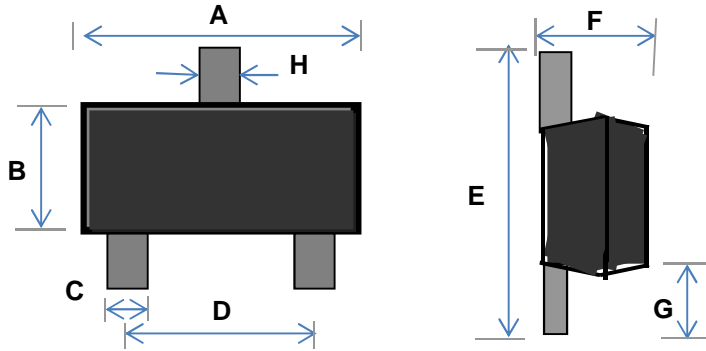
DTA143TM	SOT-723	DTA143TSA	TO-92S
 <p>MARKING:93</p>	<p>1. IN 2. GND 3. OUT</p>	<p>MARKING: A143 T051</p> <p>MARKING (HF): A143 T-051</p> 	<p>1. GND 2. OUT 3. IN</p>

Not Recommended

Small Signal Product

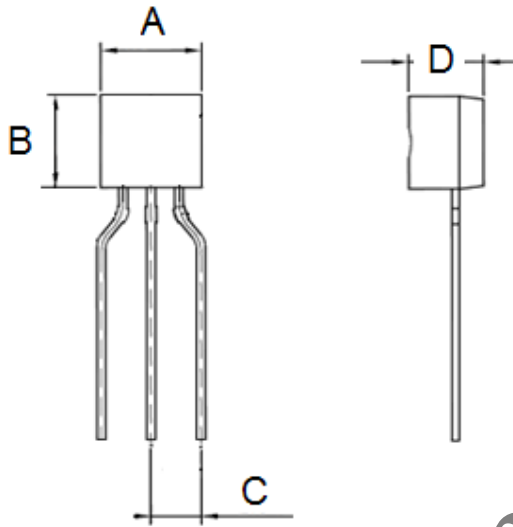
PACKAGE OUTLINE DIMENSION

SOT-723



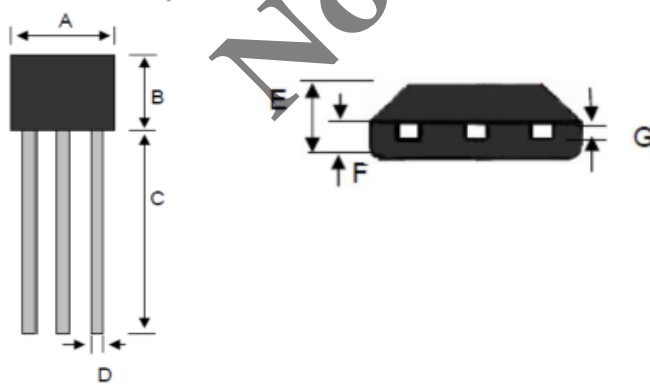
DIM.	Unit (mm)		Unit (inch)	
	Min	Max	Min	Max
A	1.15	1.25	0.045	0.049
B	0.75	0.85	0.030	0.033
C	0.15	0.27	0.006	0.011
D	0.80 TYP.		0.031 TYP.	
E	1.15	1.25	0.045	0.049
F	0.43	0.55	0.017	0.022
G	0.15	0.25	0.006	0.010
H	0.25	0.37	0.010	0.015

TO-92S (Ammo)



DIM.	Unit (mm)		Unit (inch)	
	Min	Max	Min	Max
A	3.90	4.10	0.154	0.161
B	3.05	3.25	0.120	0.128
C	2.20	2.80	0.087	0.110
D	1.42	1.62	0.056	0.064

TO-92S (Bulk)



DIM.	Unit (mm)		Unit (inch)	
	Min	Max	Min	Max
A	3.90	4.10	0.154	0.161
B	3.05	3.25	0.120	0.128
C	15.10	15.50	0.594	0.610
D	0.35	0.48	0.014	0.019
E	1.42	1.62	0.056	0.064
F	0.66	0.86	0.026	0.034
G	0.36	0.51	0.014	0.020

Not Recommended

Notice

Specifications of the products displayed herein are subject to change without notice. TSC or anyone on its behalf, assumes no responsibility or liability for any errors or inaccuracies.

Information contained herein is intended to provide a product description only. No license, express or implied, to any intellectual property rights is granted by this document. Except as provided in TSC's terms and conditions of sale for such products, TSC assumes no liability whatsoever, and disclaims any express or implied warranty, relating to sale and/or use of TSC products including liability or warranties relating to fitness for a particular purpose, merchantability, or infringement of any patent, copyright, or other intellectual property right.

The products shown herein are not designed for use in medical, life-saving, or life-sustaining applications. Customers using or selling these products for use in such applications do so at their own risk and agree to fully indemnify TSC for any damages resulting from such improper use or sale.