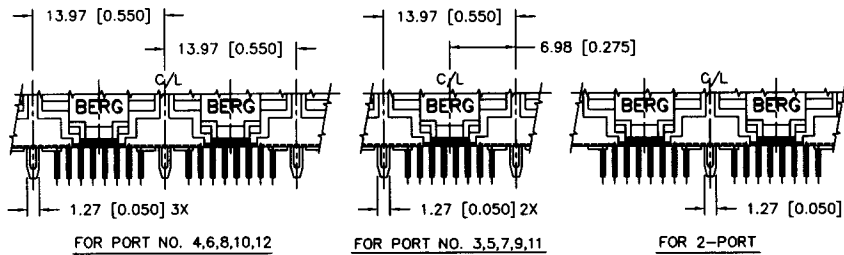
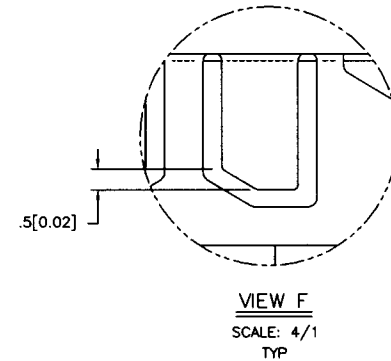
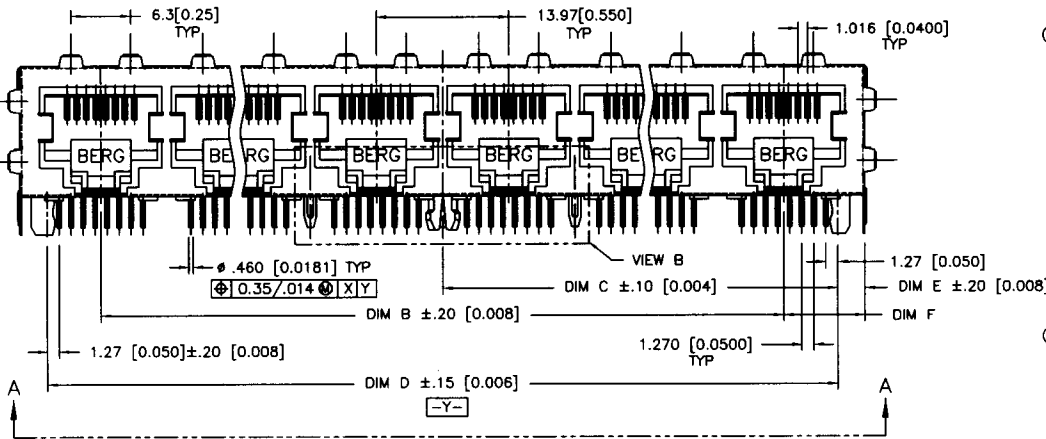
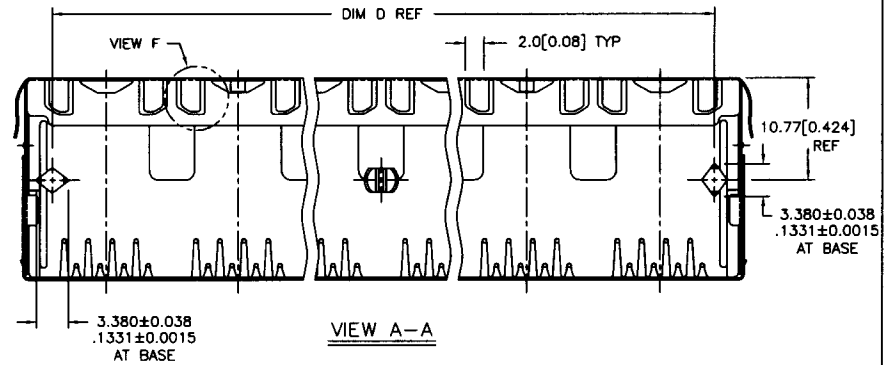
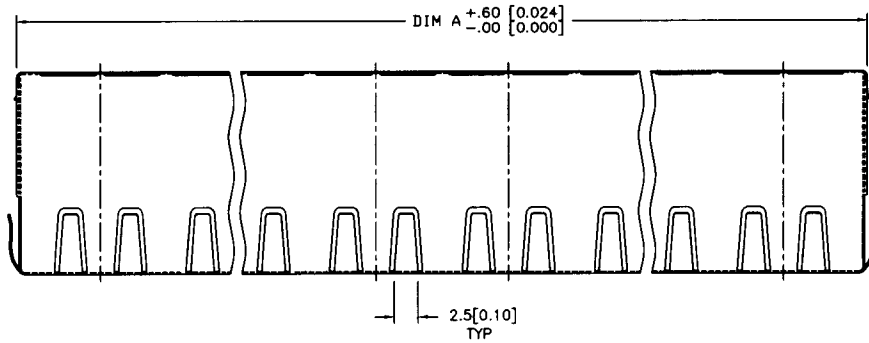


Tous droits strictement réservés. Reproduction ou communication a des tiers interdite sous quelque forme que ce soit sans autorisation écrite du propriétaire. Propriété de © BERG ELECTRONICS. Droits de reproduction BERG ELECTRONICS INC.

All rights strictly reserved. Reproduction or issue to third parties in any form whatever is not permitted without written authority from the proprietor. Property of © BERG ELECTRONICS Copyright BERG ELECTRONICS INC.

PRODUCT NO.
SEE TABLE



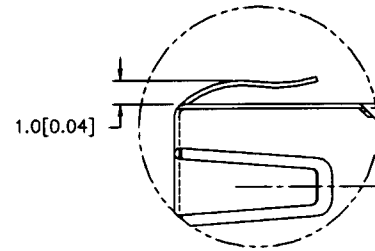
VIEW B
(CENTER PEG OMITTED FOR CLARITY)

mat'l. code				tolerances unless otherwise specified		CUSTOMER COPY	BERG ELECTRONICS		
ltr	ecn no	dr	date	.X±.3/.XX±.01				projection	title RJ45, CAT 5, ONE PIECE SHLD. GANG JACK ASSY, DIAMOND PEG
A	V80999	GAH	6/12/98	linear	.XX±.13/.XXX±.005	mm/INCH	product family MOD JACK code		
B	V81822	LP	10/27/98		.XXX±.051/.XXXX±.0020			scale	size dwg no
C	V82137	LP	12/7/98	angles	σ ±2'	1:1	A4 84629		
D	V90029	LP	1/12/99	dr	G. HULL 6/12/98			sheet index	revision sheet
E	V91027	RGD	7/16/99	engr	B. MARSHALL 6/12/98	1	2		
				chr	B. MARSHALL 6/12/98				
				appd	B. MARSHALL 6/12/98	5	6		
sheet index				E	C			D	E
				1	2	3	4	5	

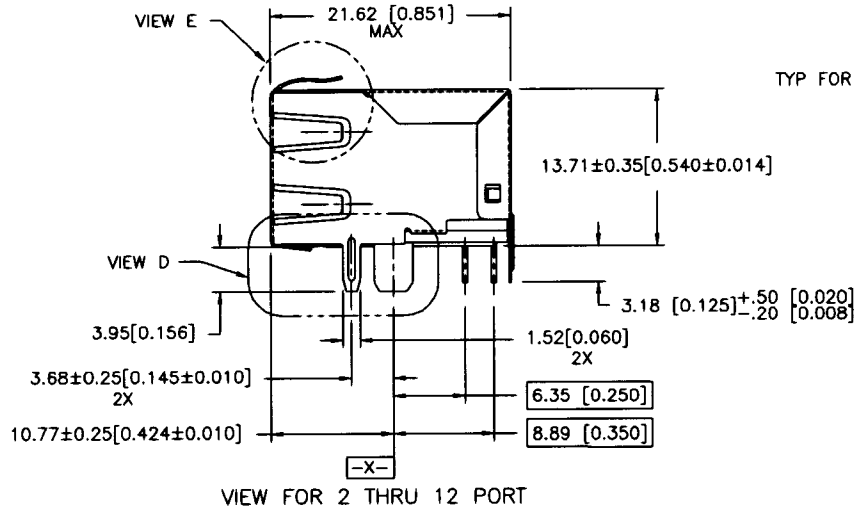
Tous droits strictement reserves. Reproduction ou communication a des tiers interdite sous quelque forme que ce soit sans autorisation écrite du propriétaire.
 Propriete de ©BERG ELECTRONICS. Droits de reproduction BERG ELECTRONICS INC.

All rights strictly reserved. Reproduction or issue to third parties in any form whatever is not permitted without written authority from the proprietor.
 Property of ©BERG ELECTRONICS Copyright BERG ELECTRONICS INC.

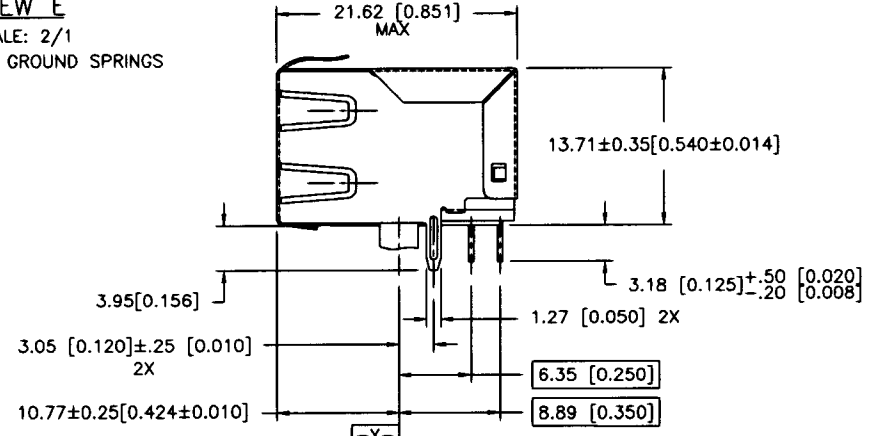
PRODUCT NO.
 SEE TABLE



VIEW E
 SCALE: 2/1
 TYP FOR ALL GROUND SPRINGS

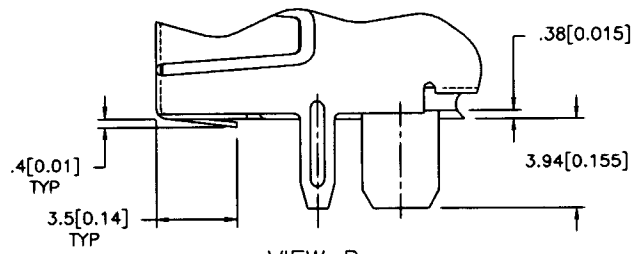


VIEW FOR 2 THRU 12 PORT



VIEW FOR 1 PORT ONLY

VIEW C-C



VIEW D
 SCALE: 2/1
 DIMENSIONS APPLY TO 1 THRU 12 PORTS

mat'l. code		tolerances unless otherwise specified		CUSTOMER COPY		BERG ELECTRONICS	
ltr	ecn no	dr	date	.X±.3/.XX±.01	projection	title	
c				.XX±.13/.XXX±.005		RJ45, CAT 5, ONE PIECE SHLD. GANG JACK ASSY, DIAMOND PEG	
				.XXX±.051/.XXX±.0020	mm/INCH	product family	MOD JACK
				° ±2'		size	dwg no
		dr	G. HULL	6/12/98	scale	A4	84629
		enqr	B. MARSHALL	6/12/98			
		chr	B. MARSHALL	6/12/98			
		appd	B. MARSHALL	6/12/98			
sheet index	revision sheet				1:1		

cage code
 22526

Tous droits strictement reserves. Reproduction ou communication a des tiers interdite sous quelque forme que ce soit sans autorisation écrite du propriétaire. Propriete de ©BERG ELECTRONICS. Droits de reproduction BERG ELECTRONICS INC.

All rights strictly reserved. Reproduction or issue to third parties in any form whatever is not permitted without written authority from the proprietor. Property of ©BERG ELECTRONICS Copyright BERG ELECTRONICS INC.



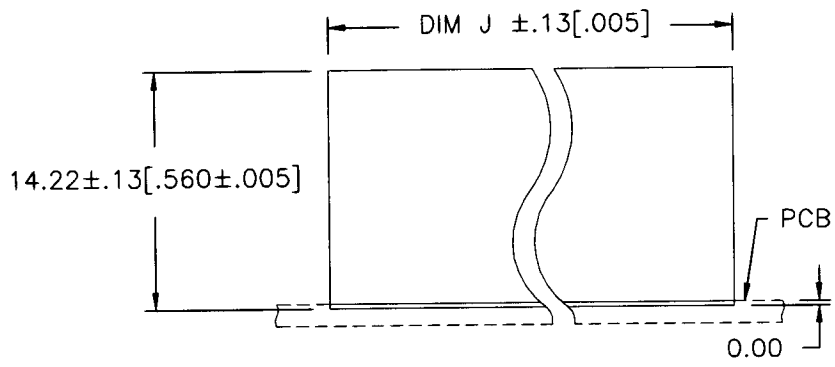
PRODUCT NO.	NO. OF PORTS	DIM A $\begin{matrix} +.60[.024] \\ -.00[000] \end{matrix}$	DIM B	DIM C $\begin{matrix} \pm.10 \\ \pm.004 \end{matrix}$	DIM D $\begin{matrix} \pm.15 \\ \pm.006 \end{matrix}$	DIM E $\begin{matrix} \pm.20 \\ \pm.008 \end{matrix}$	DIM F	DIM J $\begin{matrix} \pm.13 \\ \pm.005 \end{matrix}$	REMARKS
84629-X01Y	1	16.45 [0.648]	-----	-----	11.43 [0.450]	2.25 [0.089]	7.96 [0.314]	16.87 [0.664]	TOOLED
84629-X02Y	2	31.68 [1.247]	13.97 [0.550]	12.70 [0.500]	25.40 [1.000]	2.88 [0.113]	8.60 [0.339]	32.11 [1.264]	TOOLED
84629-X03Y	3	45.65 [1.797]	27.94 [1.010]	19.69 [0.775]	39.37 [1.550]	2.88 [0.113]	8.60 [0.339]	46.08 [1.814]	NOT TOOLED
84629-X04Y	4	59.62 [2.347]	41.91 [1.650]	26.67 [1.050]	53.34 [2.100]	2.88 [0.113]	8.60 [0.339]	60.05 [2.364]	TOOLED
84629-X05Y	5	73.59 [2.897]	55.88 [2.200]	33.66 [1.325]	67.31 [2.650]	2.88 [0.113]	8.60 [0.339]	74.09 [2.917]	NOT TOOLED
84629-X06Y	6	87.56 [3.447]	69.85 [2.750]	40.64 [1.600]	81.28 [3.200]	2.88 [0.113]	8.60 [0.339]	87.99 [3.464]	TOOLED
84629-X07Y	7	101.53 [3.997]	83.82 [3.300]	47.63 [1.875]	95.25 [3.750]	2.88 [0.113]	8.60 [0.339]	101.96 [4.014]	NOT TOOLED
84629-X08Y	8	115.50 [4.547]	97.79 [3.850]	54.61 [2.150]	109.22 [4.300]	2.88 [0.113]	8.60 [0.339]	115.93 [4.564]	TOOLED
84629-X09Y	9	129.47 [5.097]	111.76 [4.400]	61.60 [2.425]	123.19 [4.850]	2.88 [0.113]	8.60 [0.339]	129.89 [5.114]	NOT TOOLED
84629-X10Y	10	143.44 [5.647]	125.73 [4.950]	68.58 [2.700]	137.16 [5.400]	2.88 [0.113]	8.60 [0.339]	143.86 [5.664]	NOT TOOLED
84629-X11Y	11	157.41 [6.197]	139.70 [5.500]	75.57 [2.975]	151.13 [5.950]	2.88 [0.113]	8.60 [0.339]	157.84 [6.214]	NOT TOOLED
84629-X12Y	12	171.38 [6.747]	153.67 [6.050]	82.55 [3.250]	165.10 [6.500]	2.88 [0.113]	8.60 [0.339]	171.81 [6.764]	NOT TOOLED

PLATING CODE X	PLATING
0	.76uM/30u" G.X.T.
1	.38uM/15u" GOLD
3	.76uM/30u" GOLD
5	1.27uM/50u" GOLD

SPRING OPTION Y	DESCRIPTION (SEE SHEET 5 FOR OPTIONAL VIEWS)
0	SPRING ON TOP,BOTTOM AND BOTH SIDES
1	NO SPRINGS
2	SPRINGS ON TOP AND BOTTOM
3	SPRINGS ON TOP,BOTTOM AND 1 PER SIDE (STAGGERED)
4	SAME AS OPTION 4 EXCEPT OPPOSITE STAGGER

NOTES:

1. RECOMMENDED P.C.B. THICKNESS 1.60 [0.063].
2. HOUSING MATERIAL: HIGH TEMPERATURE THERMOPLASTIC, 94-V-0.
3. CONTACTS: PHOS BRONZE ALLOY, ϕ 0.460 [0.0181] ROUND WIRE, PLATING SEE TABLE.
4. SHIELD MAT'L: TIN PLATED BRASS ALLOY.
5. ALL DIMENSIONS IN MILLIMETERS/INCHES.
6. CENTER PEG FOR 8-PORTS AND ABOVE.



RECOMMENDED PANEL OPENING

mat'l. code		tolerances unless otherwise specified		CUSTOMER COPY		BERG ELECTRONICS	
ltr	ecn no	dr	date	linear	projection	title	
D				.X±.3/.XX±.01	$\oplus \ominus$	RJ45, CAT 5, ONE PIECE SHLD. GANG JACK ASSY, DIAMOND PEG	
				.XX±.13/.XXX±.005	mm/INCH	product family	MOD JACK
				.XXX±.051/.XXX±.0020	scale	size	dwg no
				angles	1:1	A4	84629
				dr	G. HULL	6/12/98	code
				engr	B. MARSHALL	6/12/98	-
				chr	B. MARSHALL	6/12/98	sheet
				appd	B. MARSHALL	6/12/98	3 of
sheet index	revision sheet						

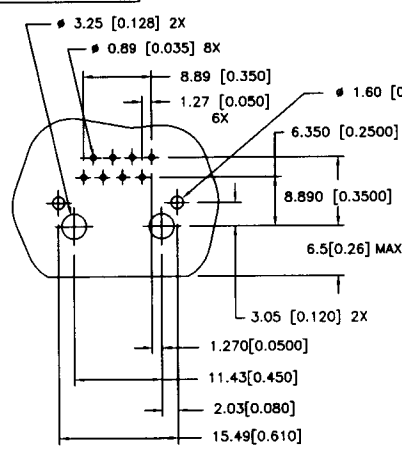
cage code
22526

Tous droits strictement réservés. Reproduction ou communication a des tiers interdite sous quelque forme que ce soit sans autorisation écrite du propriétaire.
 Propriété de ©BERG ELECTRONICS. Droits de reproduction BERG ELECTRONICS INC.

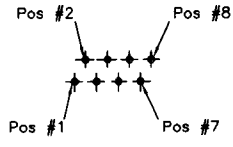
All rights strictly reserved. Reproduction or issue to third parties in any form whatever is not permitted without written authority from the proprietor.
 Property of ©BERG ELECTRONICS Copyright BERG ELECTRONICS INC.



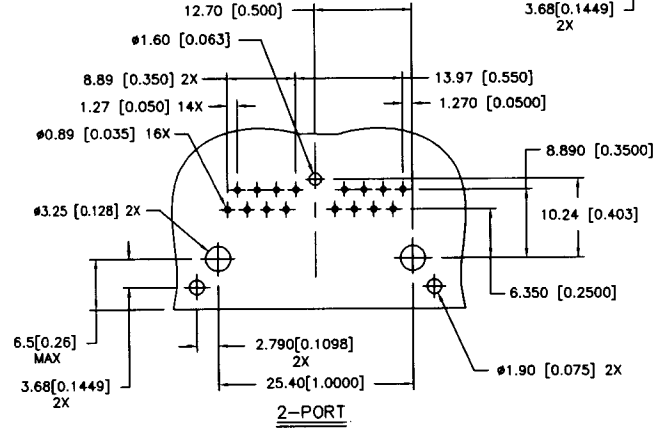
PRODUCT NO.
SEE TABLE



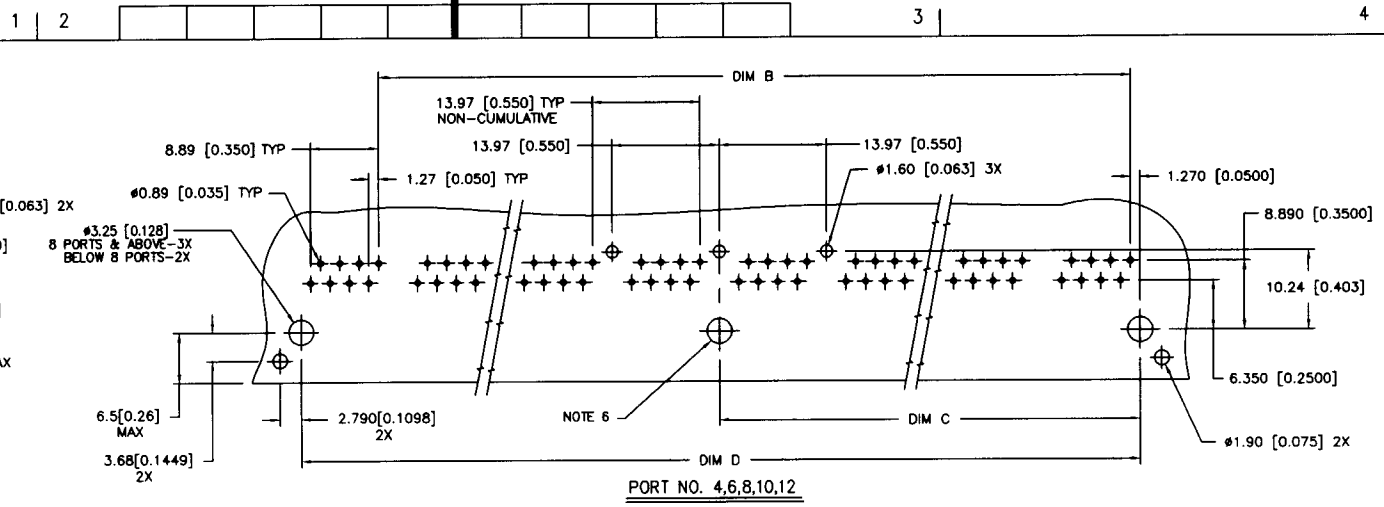
1-PORT



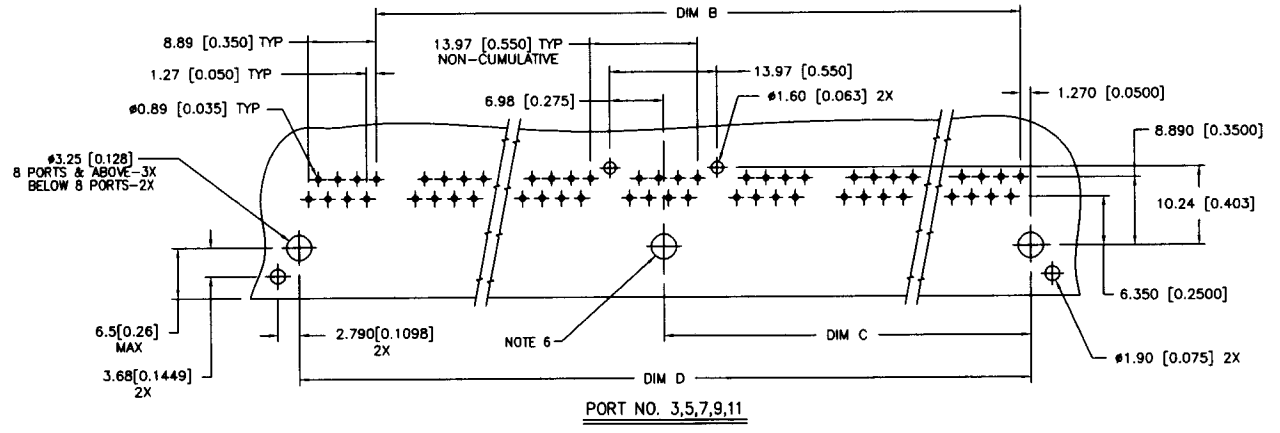
TYPICAL FOR ALL FOOTPRINTS AS VIEWED FROM TOP SIDE (COMPONENT SIDE)



2-PORT



PORT NO. 4,6,8,10,12



PORT NO. 3,5,7,9,11

RECOMMENDED P.C.B LAYOUT AS VIEWED FROM TOP SIDE (COMPONENT SIDE)

mat'l. code				tolerances unless otherwise specified			CUSTOMER COPY				
ltr	ecn no	dr	date	linear	.X±.3/.XX±.01		projection	title RJ45, CAT 5, ONE PIECE SH:Ø. GAG JACK ASSY, DIAMOND PEG			
E					.XX±.13/.XXX±.005						
				angles	.XXX±.051/.XXXX±.0020						
						$\sigma \pm 2'$		rmm/INCH scale 1:1	product family MOD JACK code -		
				dr	G. HULL	6/12/98	size dwg no		sheet 4 of		
				enrg	B. MARSHALL	6/12/98	84629				
				chr	B. MARSHALL	6/12/98					
				appd	B. MARSHALL	6/12/98					
sheet index		revision sheet		cage code 22526							

Tous droits strictement reserves. Reproduction ou communication a des tiers interdite sous quelque forme que ce soit sans autorisation ecrite du proprietaire. Propriete de © BERG ELECTRONICS. Droits de reproduction BERG ELECTRONICS INC.

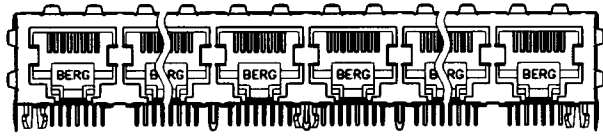
All rights strictly reserved. Reproduction or issue to third parties in any form whatever is not permitted without written authority from the proprietor. Property of © BERG ELECTRONICS Copyright BERG ELECTRONICS INC.



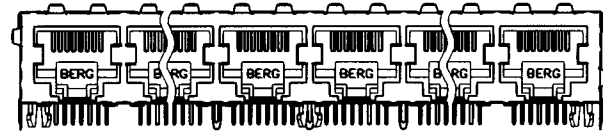
PRODUCT NO
SEE TABLE

1 | 2 | | | | | | | | | | | | | | 3 | | | | | | | | | | | | | | 4

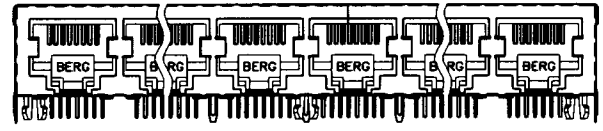
SPRING TAB CONFIGURATION OPTION Y



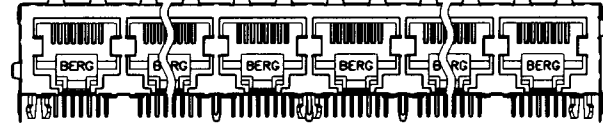
SPRING OPTION 0



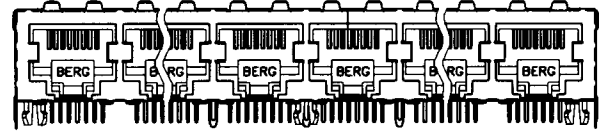
SPRING OPTION 3



SPRING OPTION 1



SPRING OPTION 4



SPRING OPTION 2

mat'l. code		tolerances unless otherwise specified		CUSTOMER COPY		BERG ELECTRONICS			
ltr	ecn no	dr	date	linear	projection	title			
D						.X±.3/.XX±.01		RJ45, CAT 5, ONE PIECE SHLD. GANG JACK ASSY, DIAMOND PEG	
				.XX±.13/.XXX±.005	mm/INCH	product family		MOD JACK	code
				.XXX±.051/.XXX±.0020		scale		size	dwg no
				angles	σ ±Z	1:1	A4	84629	5 of
		dr	G. HULL	6/12/98					
		enr	B. MARSHALL	6/12/98					
		chr	B. MARSHALL	6/12/98					
		app	B. MARSHALL	6/12/98					
sheet index	revision sheet								
								cage code 22526	