

SPECIFICATIONS

Header Connector

HM40 Series
R/A, T/H Type
Plug
3.0mm [.118"] Pitch

Mechanical

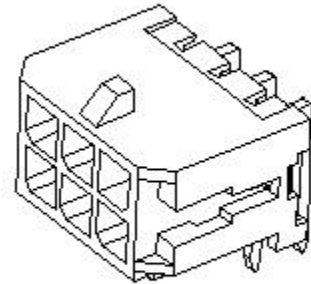
Contact Retention Force: 0.91Kgf Min.

Electrical

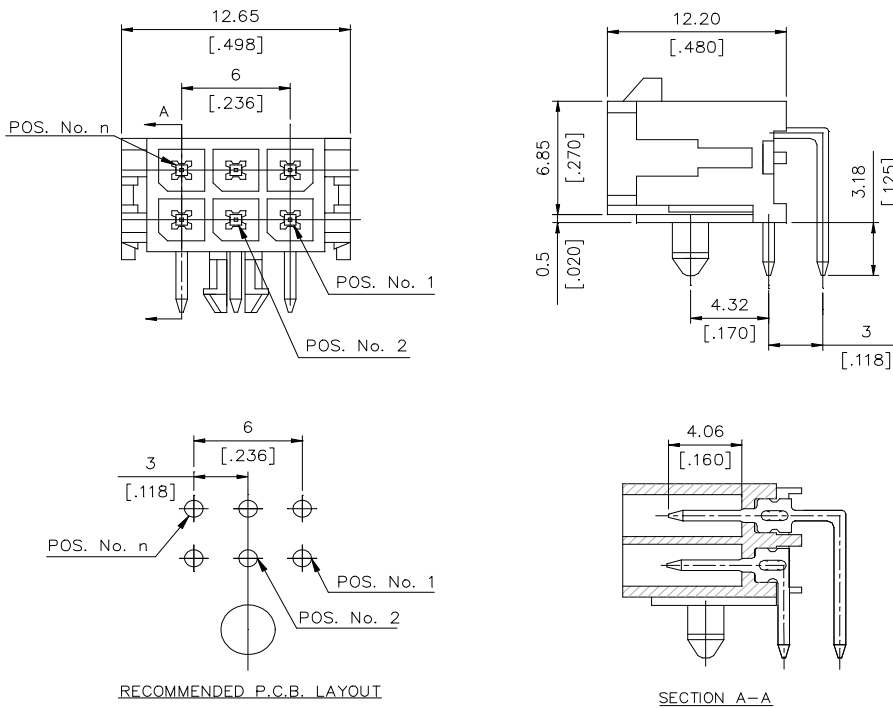
Voltage Rating: 250V
Current Rating: 5A per pin
Dielectric Withstanding Voltage: 1500 VAC
Insulation Resistance: 1000MΩ min.

Physical

Housing: Thermoplastic, UL 94V-0 Rating in Black Color
Contact: Brass
Plating: See "ORDERING INFORMATION"
Operating Temperature: -40°C to +105°C



DRAWING



ORDERING INFORMATION

PRODUCT No. : HM40 ** *

