

NPN SILICON RF POWER TRANSISTOR

DESCRIPTION:

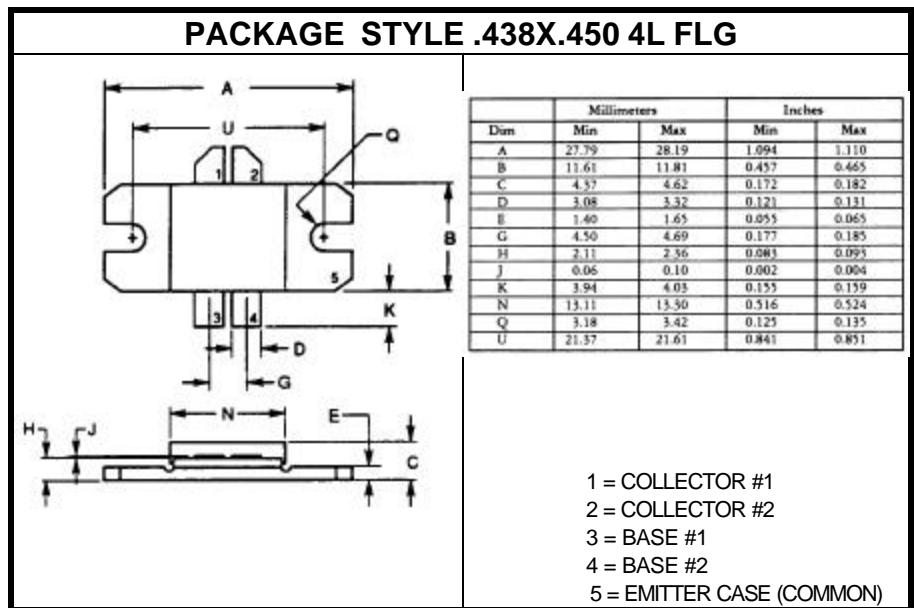
The **SD1489** is a Class AB Push Pull, Device Designed for 28 V, Broadband Applications in the 470 MHz to 860 MHz Spectrum.

FEATURES INCLUDE:

- Internal Input Matching
- Common Emitter Configuration
- Emitter Ballasting
- Gold Metelization

MAXIMUM RATINGS

I_C	8.0 A
V_{CB}	45 V
P_{DISS}	175 W @ T _C = 25 °C
T_J	-65 °C to +200 °C
T_{STG}	-65 °C to +150 °C
q_{JC}	1.0 °C/W


CHARACTERISTICS T_C = 25 °C

SYMBOL	TEST CONDITIONS	MINIMUM	TYPICAL	MAXIMUM	UNITS
BV_{CEO}	I _C = 200 mA	30			V
BV_{CER}	I _C = 20 mA R _{BE} = 10 Ω	40			V
BV_{CBO}	I _C = 50 mA	45			V
BV_{EBO}	I _E = 10 mA	3.0			V
I_{CEO}	V _{CE} = 28 V			5.0	mA
h_{FE}	V _{CE} = 5.0 V I _C = 3.0 A	10		80	---
C_{ob}	V _{CB} = 28 V f = 1.0 MHz		70		pF
P_{out}	V _{CE} = 28 V I _{cq} = 2X250 mA f = 860 MHz	50			W
G_p		6.8			dB
h_C			45		%