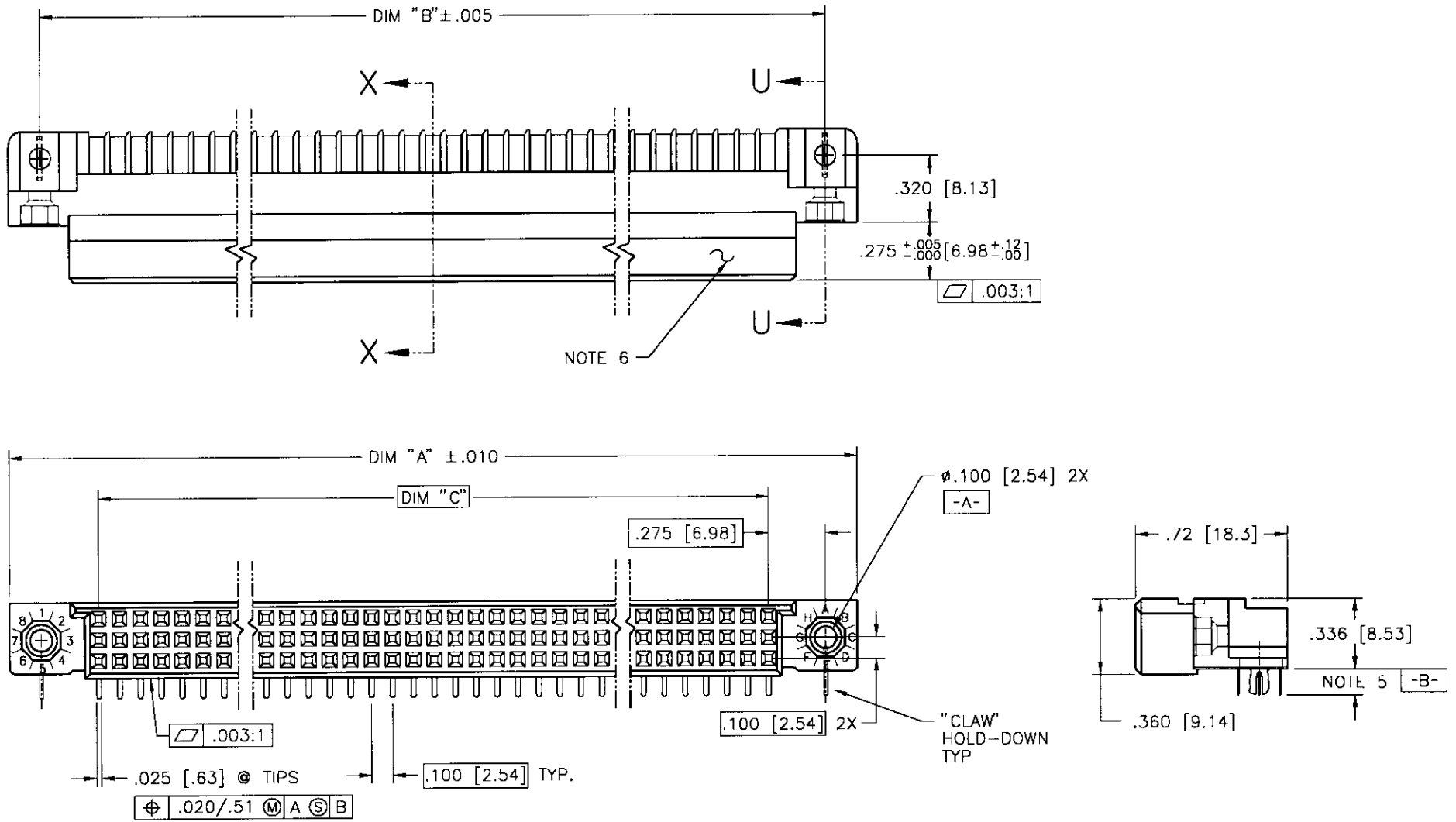


PRODUCT NUMBER
50930-XXXX



NOTE 6

Ø.100 [2.54] 2X
-A-

NOTE 5 -B-

| REVISIONS | | | |
|-----------|----------|-----|---------|
| REV | ECN/DDR# | BY | DATE |
| A | V50924 | SAR | 9/21/95 |
| B | V60768 | SAR | 6/19/96 |

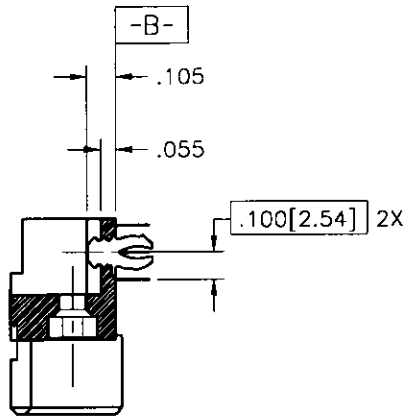
| SHEET INDEX | ISSUE | B | B |
|---------------------------------------|--------|---|---|
| | SH NO. | 1 | 2 |
| TOLERANCES UNLESS OTHERWISE SPECIFIED | | | |
| .005 / .005 / .005 / .005 | | | |
| .0005 / .002 / .0005 / .001 | | | |
| .00001 / .0002 / .00001 / .0001 | | | |
| ANGLES | | | |
| Ø ± 2° | | | |

| DATE | DR | CHKD | DATE | CUSTOMER COPY |
|-------------|-------------|------|---------|---------------|
| MAY 9/21/95 | S. ROYER | | 9/21/95 | |
| | D. HORCHLER | | 9/21/95 | |
| | D. HORCHLER | | 9/21/95 | |
| | D. HORCHLER | | 9/21/95 | |

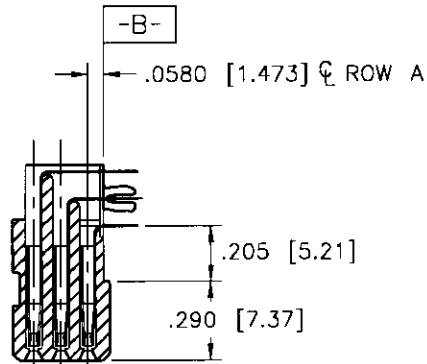
| TITLE | SCALE | SIZE | TORG. NO. | SHEET |
|---|-------|------|-----------|--------|
| 3 ROW R/A RECEPTACLES 0 GUIDE PIN - W/CLAW | 3:1 | C | 50930 | 1 OF 2 |



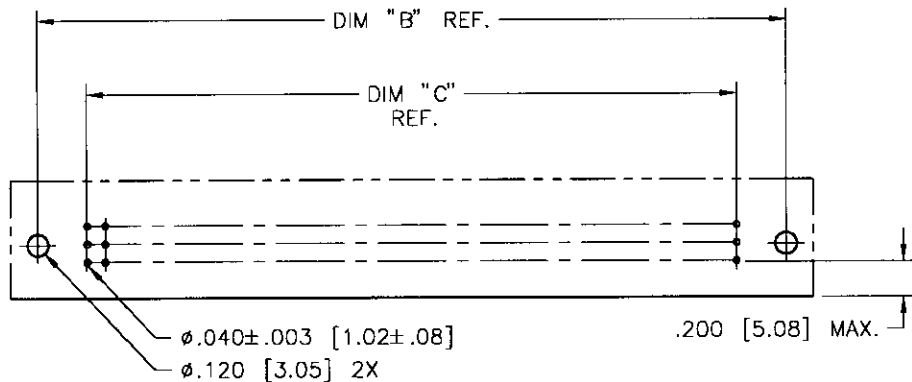
| PRODUCT NUMBER | DIM. | LENGTH FORMULAS |
|----------------|-------|---|
| 50930-XXXX | DIM A | .100/2.54 X NO. OF COLUMNS + .75/19.1 |
| | DIM B | .100/2.54 X NO. OF COLUMNS + .450/11.43 |
| | DIM C | .100/2.54 X NO. OF COLUMNS - .100/2.54 |



SECTION U-U



SECTION X-X



RECOMMENDED PCB LAYOUT
(ALL HOLES LOCATED ON .100 [2.54] GRID UNLESS OTHERWISE SPECIFIED)

NOTES:

1. PRODUCT NUMBERING CODE:

| | | | | |
|-------|---|---|-----|---|
| 50930 | - | X | XXX | X |
| | | | | |
| | | | | |
| | | | | |
| | | | | |
| | | | | |

TAIL LENGTH(NOTE 5)
NO. OF POSITIONS(NOTE 2)
PLATING(NOTE 4)
BASE NUMBER
2. THIS PRODUCT IS CONFIGURED IN SIZES OF 6 THRU 80 COLUMNS IN INCREMENTS OF ONE. i.e.: 6,7,8,9.....79,80.
3. HOUSING MATERIAL: GLASS FILLED PPS. CONTACT MATERIAL: BeCu
4. PLATING CONTACT AREA OPTIONS:
 1 = 30 μ /.76 μ GOLD
 3 = 50 μ /1.27 μ GOLD
 5 = 30 μ /.76 μ GXT
 ALL SOLDER TAILS TIN/LEAD
5. TAIL LENGTH OPTIONS:
 E = .125 \pm .010 / 3.18 \pm .25
 F = .145 \pm .010 / 3.68 \pm .25
 H = .180 \pm .010 / 4.57 \pm .25
6. "BERG" NAME, PART NUMBER AND LOT CODE TO APPEAR ON THIS SURFACE PER BUS-12-108.
7. FOR DOCUMENTATION MENU, SEE BERG SPECIFICATION BUS-01-057.

| REVISIONS | | | | SHEET INDEX | ISSUE SH NO. | B | DATE | DRAWN | CHECKED | DATE | CUSTOMER COPY | TITLE |
|-----------|----------|----|------|-------------|--------------|---|------|------------------|---------|---------|---------------|-----------------------|
| REV | ECN/DDR# | BY | DATE | | | | | | | | | |
| B | | | | | 2 | | | DR S. ROYER | | 9/21/95 | | 3 ROW R/A RECEPTACLES |
| | | | | | | | | ENGR D. HORCHLER | | 9/21/95 | | 0 GUIDE PINS - W/CLAW |
| | | | | | | | | CHK D. HORCHLER | | 9/21/95 | | |
| | | | | | | | | APPR D. HORCHLER | | 9/21/95 | | |

| | | | |
|------------|---------|----------------|---------------|
| SCALE: 3:1 | SIZE: C | DWG. NO: 50930 | SHEET: 2 of 2 |
|------------|---------|----------------|---------------|