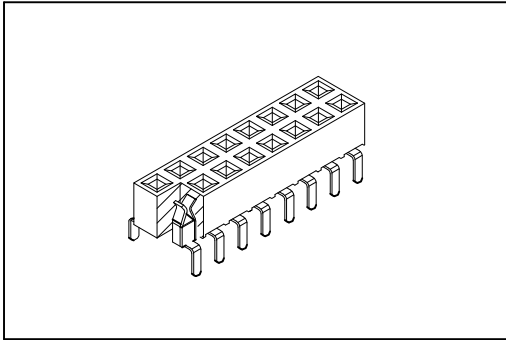


# 2048 Series

P.C.B. Socket 2.54mmX2.54mm(0.100"X0.100")



### Material:

Housing: Thermoplastic Polyester Glass Filled UL94V-0.

Contacts: Copper Alloy.

### Electrical Characteristics:

Current Rating: 2 A.

Dielectric Withstanding Voltage: AC 1000V.

Insulator Resistance: 1000MΩ min.

Contact Resistance: 20mΩ max.

Operating Temperature: -55°C~+105°C.

### Features:

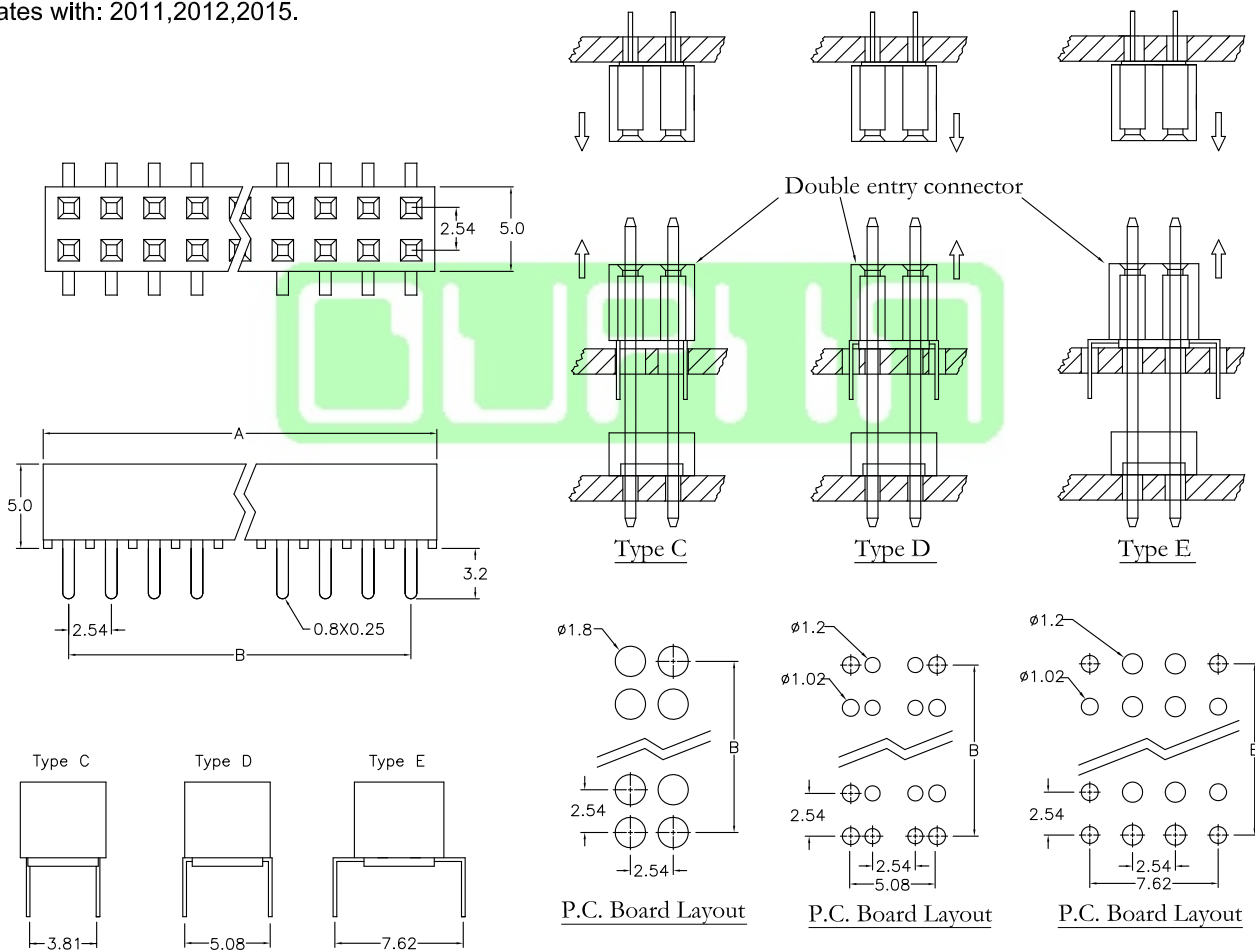
\* Bottom entry, Top entry or Pass through.

\* Low profile 5.0mm (0.197").

\* Three choices of foot print.

\* Additional plating options available.

Mates with: 2011,2012,2015.



Position Dimension	4 Thru 80
A	2.54 X No. of Positions /2
B	2.54 X No. of Positions /2-2.54

## Ordering information

**2048-** 2 **X** 40 **G** 00 **C** **U**  
 Series Double Row No. of Pin Per Row G: Gold Plated 00: G/F C: 2.54mm X 3.81mm D: 2.54mm X 5.08mm E: 2.54mm X 7.62mm U: Tube Package