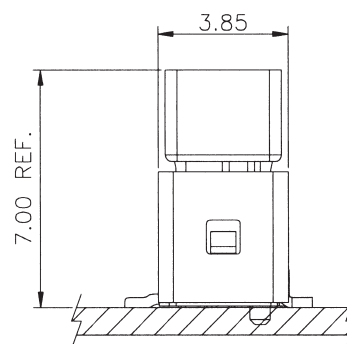
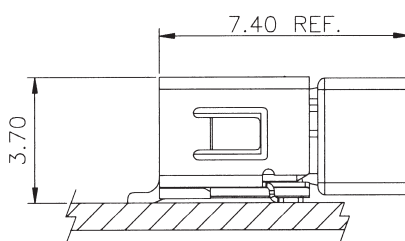
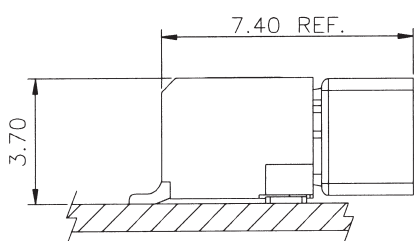
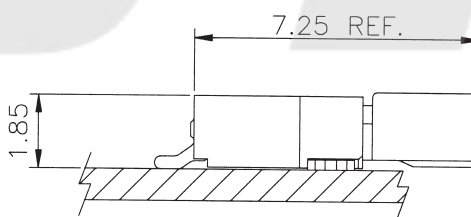
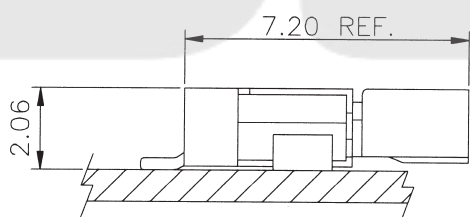


Specifications

- Current rating: 1A AC,DC
- Voltage rating: 200V AC,DC
- Temperature range: -25°C ~ +85°C
- Contact resistance: 40mΩ Max.
- Insulation resistance: 100MΩ Min.
- Withstanding voltage: 500V AC/minute

Assembly layout



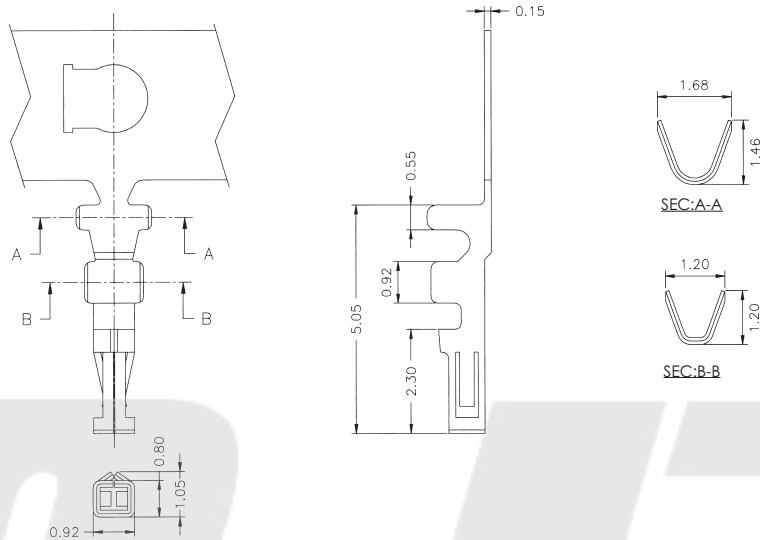
A1256-T

1.25mm pitch Crimp Terminal

Reference Informations:

*Used in CJT A1256 series Housing

*Tolerance:(unit:mm) .0 ±0.25/ .00 ±0.15/ .000 ±0.10



Ordering Information & Specifications:

Unit:mm

Part No.	Wire Range	Insulation O.D.	Material	Finish	Qty/reel
A1256-GP	AWG#28-#32	0.90mm(max)	Phosphor Bronze	Gold-flash	15,000pcs

A1256H

1.25mm pitch Housing

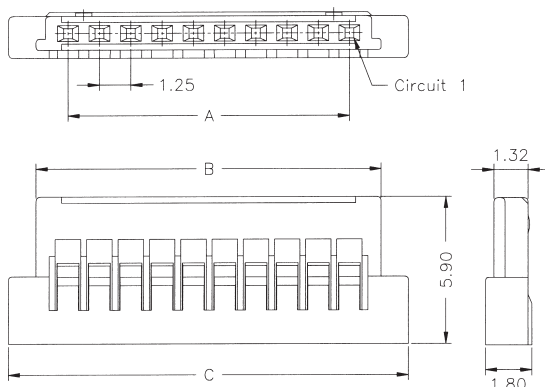
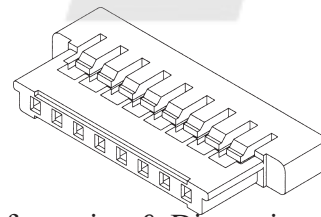
Reference Informations:

*Material: Nylon 66,UL94V-0

*Suitable CJT A1256 series Terminal

*Mates with CJT A1256 series Wafer

*Tolerance:(unit:mm) .0 ±0.25/ .00 ±0.15/ .000 ±0.10



Ordering Information & Dimensions:

PART NO.	Dimensions		
	A	B	C
A1256H-2P	1.25	3.80	6.00
A1256H-3P	2.50	5.05	7.25
A1256H-4P	3.75	6.30	8.50
A1256H-5P	5.00	7.55	9.75
A1256H-6P	6.25	8.80	11.00
A1256H-8P	8.75	11.30	13.50
A1256H-10P	11.25	13.80	16.00
A1256H-15P	17.50	20.05	22.25
A1256H-20P	23.75	26.30	28.50
A1256H-25P	30.00	32.55	34.75
A1256H-30P	36.25	38.80	41.00

Unit:mm

A1256WR-S

1.25mm pitch 90° Wafer - SMT TYPE

Reference Informations:

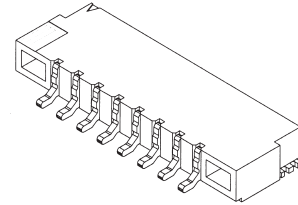
*Material: Pin: Brass/Gold-flash

Solder Tabs: Brass/Tin-plated

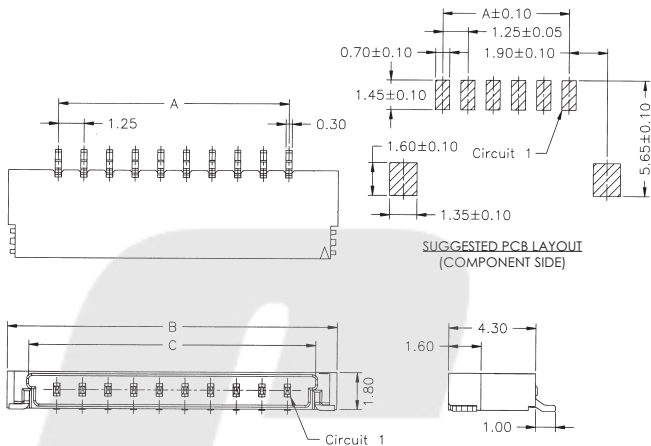
Wafer: Nylon 6T,UL94V-0

*Mates with CJT A1256 series Housing

*Tolerance:(unit:mm) .0 ±0.25/ .00 ±0.15/ .000 ±0.10



Ordering Information & Dimensions:



PART NO.	Dimensions		
	A	B	C
A1256WR-S-2P	1.25	6.10	4.01
A1256WR-S-3P	2.50	7.35	5.26
A1256WR-S-4P	3.75	8.60	6.51
A1256WR-S-5P	5.00	9.85	7.76
A1256WR-S-6P	6.25	11.10	9.01
A1256WR-S-8P	8.75	13.60	11.51
A1255WR-S-10P	11.25	16.10	14.01
A1255WR-S-15P	17.50	22.35	20.26
A1255WR-S-20P	23.75	28.60	26.51
A1255WR-S-25P	30.00	34.85	32.76
A1255WR-S-30P	36.25	41.10	39.01

Unit:mm

A1256WRA-S

1.25mm pitch 90° Wafer - SMT TYPE

Reference Informations:

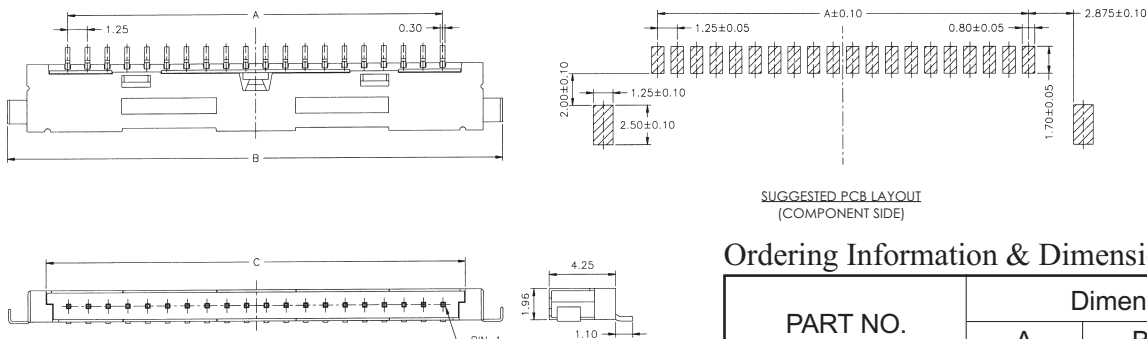
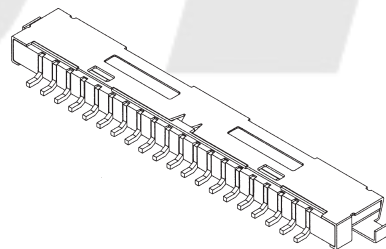
*Material: Pin: Brass/Tin-plated

Shell: Brass/Tin-plated

Wafer: LCP,UL94V-0

*Mates with CJT A1256 series Housing

*Tolerance:(unit:mm) .0 ±0.25/ .00 ±0.15/ .000 ±0.10



Ordering Information & Dimensions:

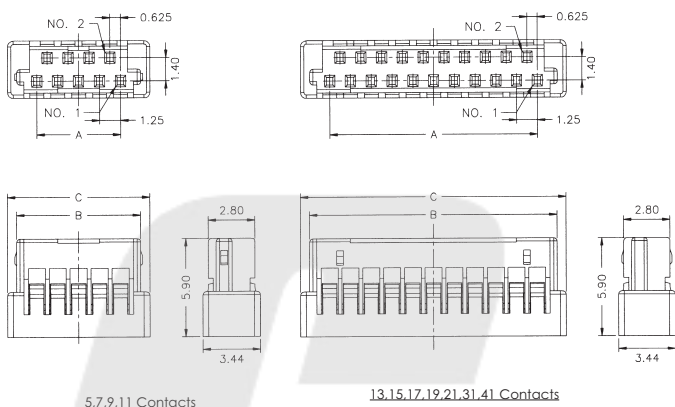
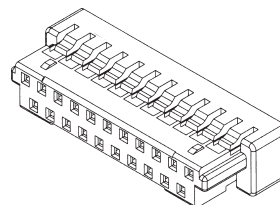
PART NO.	Dimensions		
	A	B	C
A1256WRA-S-20P	23.75	31.40	26.60
A1256WRA-S-30P	36.25	43.90	39.10

Unit:mm

A1256HD — 1.25mm pitch Dual Row Housing

Reference Informations:

- *Material: Nylon 66,UL94V-0
- *Suitable CJT A1256 series Terminal
- *Mates with CJT A1256 series dual row Wafer
- *Tolerance:(unit:mm) .0 ±0.25/ .00 ±0.15/ .000 ±0.10



Ordering Information & Dimensions:

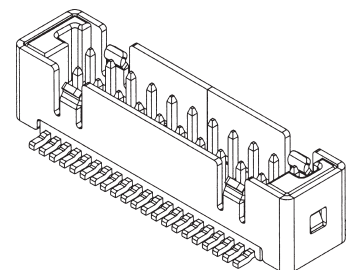
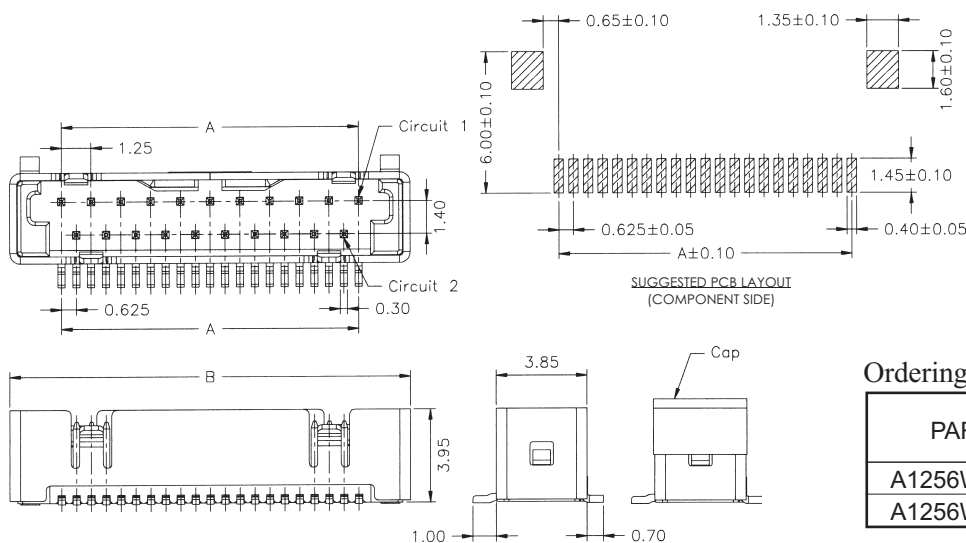
PART NO.	Dimensions		
	A	B	C
A1256HD-5P	2.50	4.90	6.00
A1256HD-7P	3.75	6.15	7.25
A1256HD-9P	5.00	7.40	8.50
A1256HD-11P	6.25	8.65	9.75
A1256HD-13P	7.50	9.90	11.00
A1256HD-15P	8.75	11.15	12.25
A1256HD-17P	10.00	12.40	13.50
A1256HD-19P	11.25	13.65	14.75
A1256HD-21P	12.50	14.90	16.00
A1256HD-31P	18.75	21.15	22.25
A1256HD-41P	25.00	27.40	28.50

Unit:mm

A1256WV-S — 1.25mm pitch 180° Dual Row Wafer - SMT TYPE

Reference Informations:

- *Material: Pin: Brass/Gold-flash
Shell: Brass/Tin-plated
Wafer: Nylon 6T,UL94V-0
Cap: Nylon 6T,UL94V-0
- *Mates with CJT A1256 series dual row Housing
- *Tolerance:(unit:mm) .0 ±0.25/ .00 ±0.15/ .000 ±0.10



Ordering Information & Dimensions:

PART NO.	Dimensions	
	A	B
A1256WV-S-21P	12.50	16.85
A1256WV-S-31P	18.75	23.10

Unit:mm

A1256WV-S-F

1.25mm pitch 180° Dual Row Wafer - SMT TYPE

Reference Informations:

*Material: Pin: Brass/Gold-flash

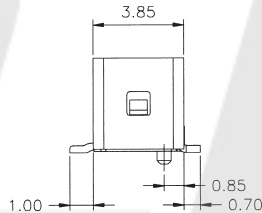
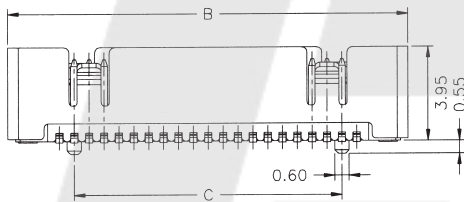
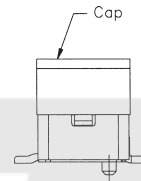
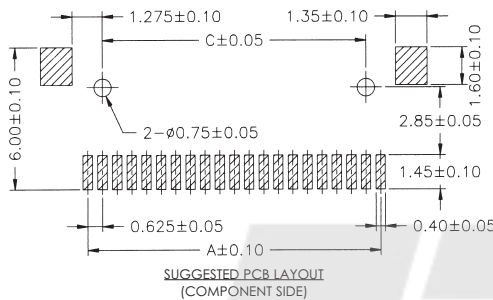
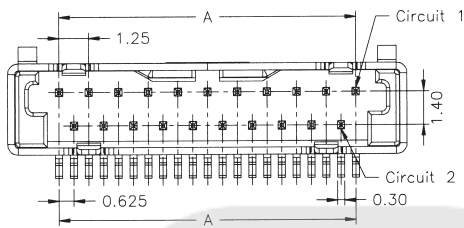
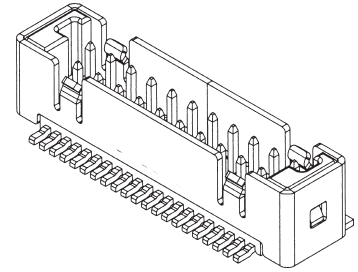
Shell: Brass/Tin-plated

Wafer: Nylon 6T,UL94V-0

Cap: Nylon 6T,UL94V-0

*Mates with CJT A1256 series dual row Housing

*Tolerance:(unit:mm) .0 ±0.25/ .00 ±0.15/ .000 ±0.10



Ordering Information & Dimensions:

PART NO.	Dimensions		
	A	B	C
A1256WV-S-F-21P	12.50	16.85	11.25
A1256WV-S-F-31P	18.75	23.10	17.50

Unit:mm

A1256WR-S

1.25mm pitch 90° Dual Row Wafer - SMT TYPE

Reference Informations:

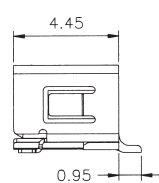
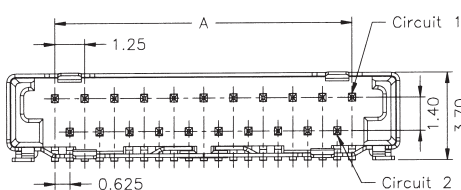
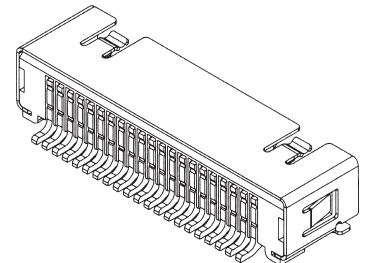
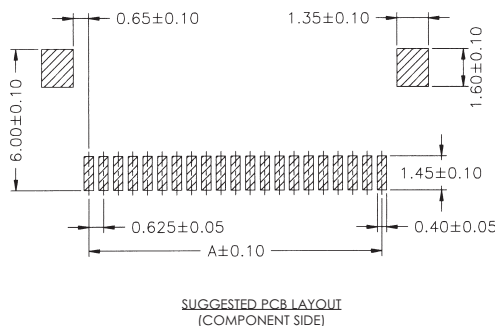
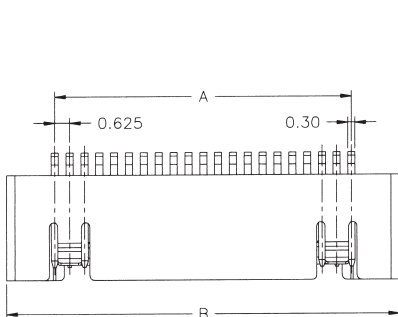
*Material: Pin: Brass/Gold-flash

Shell: Brass/Tin-plated

Wafer: Nylon 6T,UL94V-0

*Mates with CJT A1256 series dual row Housing

*Tolerance:(unit:mm) .0 ±0.25/ .00 ±0.15/ .000 ±0.10



Ordering Information & Dimensions:

PART NO.	Dimensions	
	A	B
A1256WR-S-21P	12.50	16.55
A1256WR-S-31P	18.75	22.80
A1256WR-S-41P	25.00	29.05

Unit:mm

A1256WRA-S

1.25mm pitch 90° Dual Row Wafer - SMT TYPE

Reference Informations:

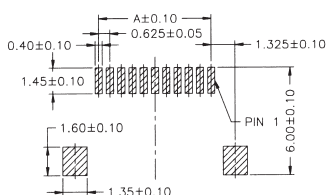
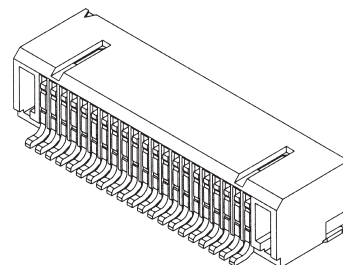
*Material: Pin: Brass/Gold-flash

Solder Tabs: Brass/Tin-plated

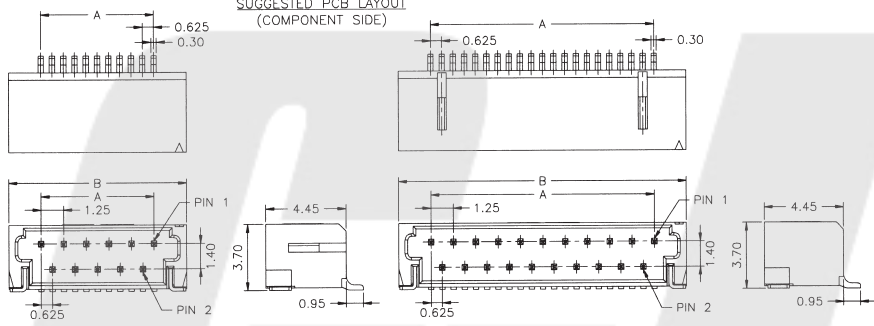
Wafer: Nylon 6T,UL94V-0

*Mates with CJT A1256 series dual row Housing

*Tolerance:(unit:mm) .0 ±0.25/ .00 ±0.15/ .000 ±0.10



SUGGESTED PCB LAYOUT (COMPONENT SIDE)



5,7,9,11 Contacts

13,15,17,19,21,31,41 Contacts

Ordering Information & Dimensions:

PART NO.	Dimensions	
	A	B
A1256WRA-S-5P	2.50	6.10
A1256WRA-S-7P	3.75	7.35
A1256WRA-S-9P	5.00	8.60
A1256WRA-S-11P	6.25	9.85
A1256WRA-S-13P	7.50	11.10
A1256WRA-S-15P	8.75	12.35
A1256WRA-S-17P	10.00	13.60
A1256WRA-S-19P	11.25	14.85
A1256WRA-S-21P	12.50	16.10
A1256WRA-S-31P	18.75	22.35
A1256WRA-S-41P	25.00	28.60

Unit:mm