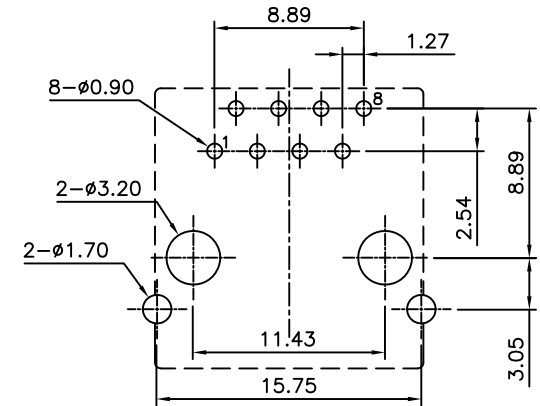
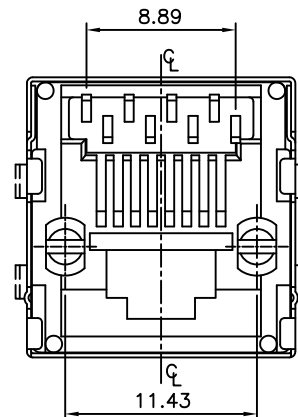
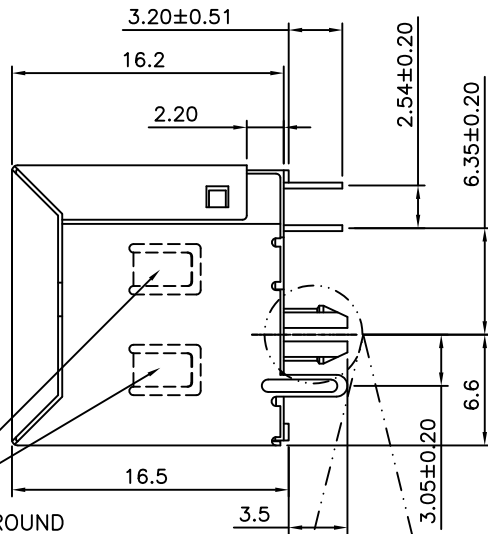
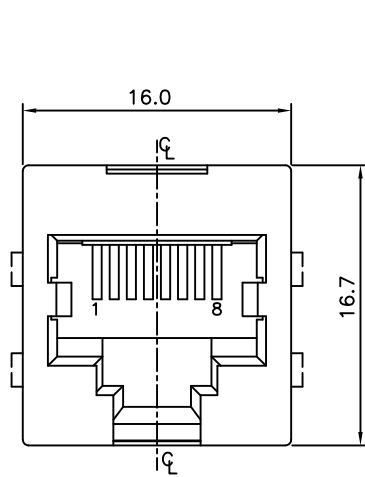
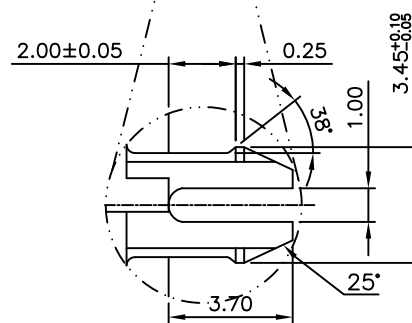


Global Connector Technology Ltd. - MJ3115 : Modular Jack Connector, 8 Position, Category 3, Vertical Through Hole, Shielded, Optional Panel Ground



RECOMMENDED PCB LAYOUT  
AS VIEWED FROM COMPONENT SIDE

OPTIONAL PANEL GROUND



Specification 规格:

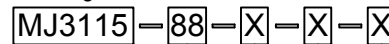
Electrical 电气规格:

- Voltage Rating 电压额定值: 125 V AC (RMS)
- Current Rating 电流额定值: 1.5 Amp
- Contact Resistance 接触电阻值: 30mΩ Max.
- Insulation Resistance 绝缘电阻值: 1000MΩ Min. @ 500 VDC
- Dielectric Strength 铁壳材料: 1000 VAC RMS 60Hz, 1 Min.
- Pin to Pin 针对针: 1000 VAC RMS 60Hz, 1 Min.
- Pin to Shield 针对铁壳: 1500 VAC RMS 60Hz, 1 Min.

Material 物料规格:

- Housing Material 塑胶外壳: High Temp Nylon UL94V-0 or Glass Filled Polyester, Black
- Contact Material 端子材料: Phosphor Bronze 0.35mm Thickness
- Shield Material: Copper C2680. Nickel Plated
- Plating 电镀规格: Gold Plating over Nickel
- Operating Life 使用寿命: 750 Cycles Min.
- PCB Retention Force Before Solder 焊接前保持力: 1 LB Min.
- PCB Retention Force After Solder 焊接后保持力: 10 LBS Min.

Ordering Grid



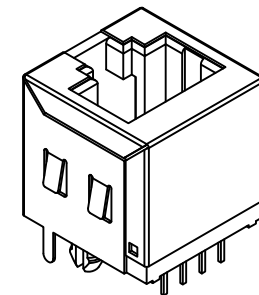
REQUEST SAMPLES AND QUOTATION

No. of Positions/  
Positions Loaded  
88=8/8

Panel Ground  
0=Without (Standard)  
1=With

Insulator Material  
N=High Temp Nylon (Standard)  
P=Glass Filled Polyester

Contact Plating  
2=6μ" Gold (Standard)  
4=30μ" Gold



Environmental 环境的:

- Storage Temperature 储存温度: -40°C to +85°C
- Operation Temperature 使用温度: -40°C to +85°C

By	PKN	AJO
DETAIL	DRAWING RELEASE	GOLD CONTACT PLATING 50μ" OPTION REMOVED
REV DATE	A 11/05/10	B 14/06/12



Tolerances (Except as noted)	Part Number:-	Date:-
Dimensions in mm	MJ3115 - 8 POSITION	11 MAY 10
X.X ± 0.20	ANGLE ± 5°	Description:-
X.XX ± 0.15		MODULAR JACK CONNECTOR, 8 POSITION, CATEGORY 3, VERTICAL THROUGH HOLE, SHIELDED, OPTIONAL PANEL GROUND
X.XXX ± 0.10		
Third Angle Projection	© THIS DRAWING IS CONFIDENTIAL AND MUST NOT BE COPIED OR DISCLOSED WITHOUT WRITTEN CONSENT	

GCT

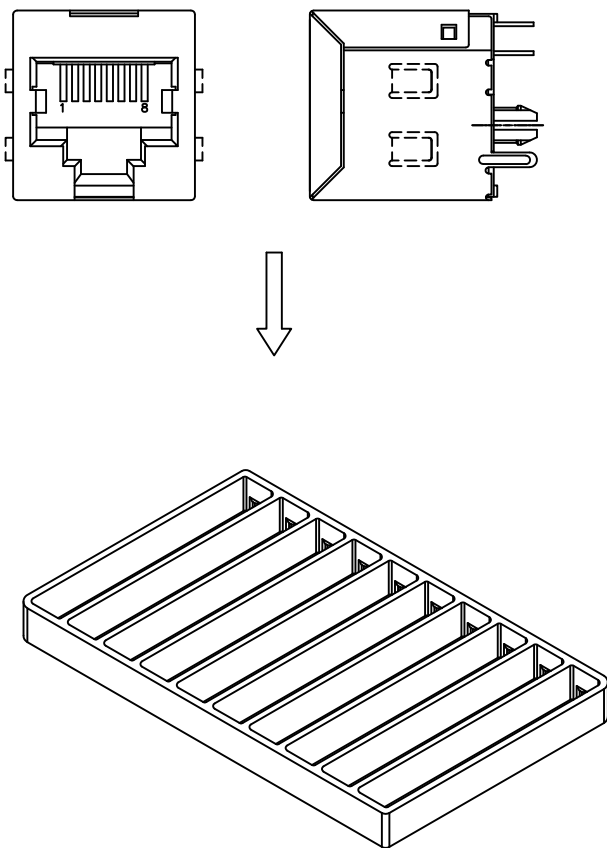
www.globalconnectortechology.com

Scale	Revision	Material	Drawn by	Sheet No.
NTS	B	See Note	PKN	E & OE 1/2

1. Packing Material 包材 - Tray 1 PC

Quantity 數量 - 1\*60=60 PCS

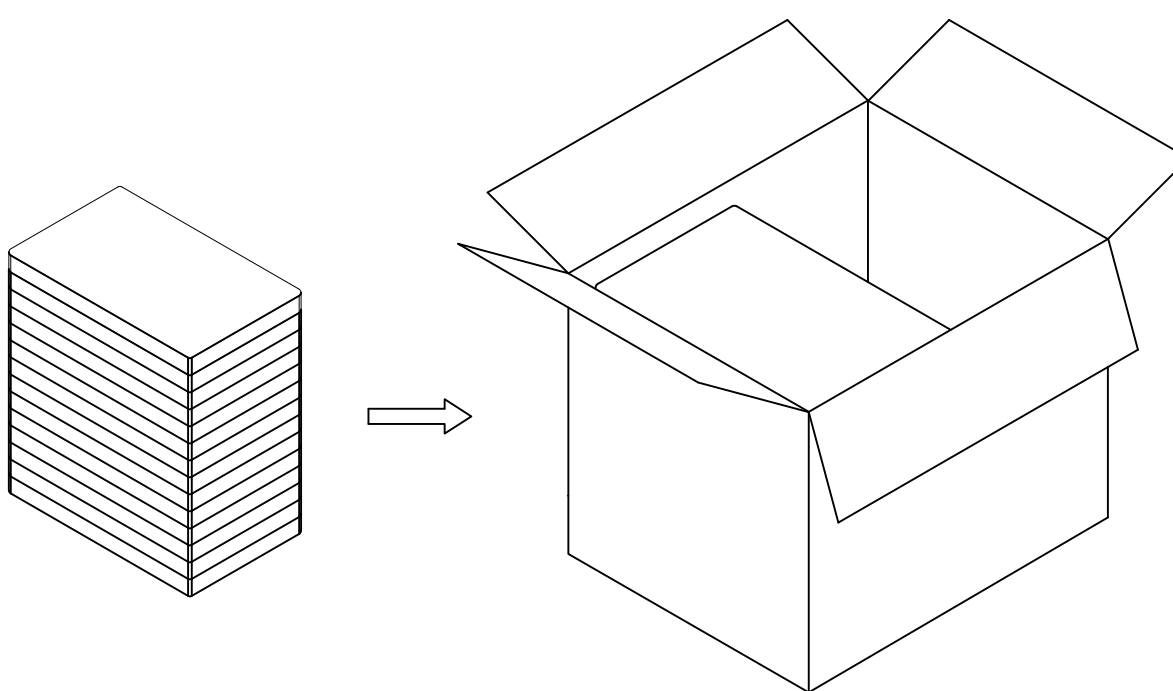
Tray: Body and Cover 真空盒上下蓋各 - 1PC Each  
Label 标签 - 1 PC



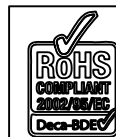
2. Packing Material 包材 - Carton - 380\*315\*290 - 1 PC

Quantity 數量 - 60\*24=1440 PCS

Part Number 零部件料号	Net Weight 淨重	Gross Weight 毛重	Q'TY 數量
MJ3115-88-X-X-X	9.93Kg	10.25Kg	1400



By	PKN	AJO
DETAIL	DRAWING RELEASE	GOLD CONTACT PLATING 50µ" OPTION REMOVED
REV DATE	A 11/05/10	B 15/06/12



Tolerances (Except as noted)	Part Number:- MJ3115 - 8 POSITION	Date:- 11 MAY 10
Dimensions in mm	Description:- MODULAR JACK CONNECTOR, 8 POSITION, CATEGORY 3, VERTICAL THROUGH HOLE, SHIELDED, OPTIONAL PANEL GROUND	
Third Angle Projection	© THIS DRAWING IS CONFIDENTIAL AND MUST NOT BE COPIED OR DISCLOSED WITHOUT WRITTEN CONSENT	

**GCT**

www.globalconnectortechology.com

Scale NTS	Revision B	Material See Note	Drawn by PKN	E & OE	Sheet No. 2/2
--------------	---------------	----------------------	-----------------	--------	------------------