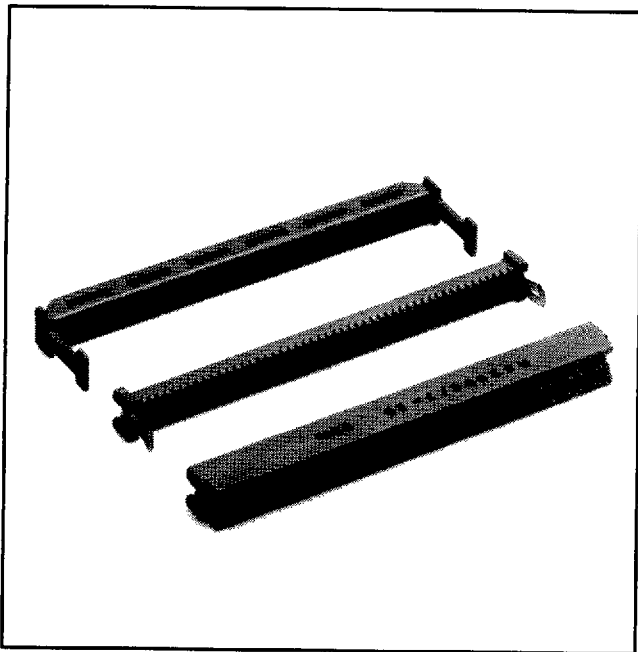


.100" x .100" Plug

MIL-C-83503/7 Qualified



168

TS-0125-01
Sheet 1 of 2

- Meets all dimensional and performance requirements of MIL-C-83503
- Positive locking metal "J" clips provide high cover retention
- Mates with 3M headers, plugs and pin strips for quick connect/disconnect capability
- Accepts flat cable or discrete wire

Physical

Insulation

Material: Glass Filled Polyester (PBT) Per MIL-M-24519, Type GPT30F
Flammability: UL 94V-0
Color: Gray

Contact

Material: Beryllium Copper per QQ-C-533
Plating
Underplate & U-Slot: 100 μ " [2.54 μ m] Nickel — QQ-N-290, Class 2
Wiping Area: 50 μ " [1.27 μ m] Gold — MIL-G-45204, Type II, Grade C, Class I
Wire Accomodation: 26 & 28 AWG Solid or Stranded, 30 AWG Solid
Marking: Raised Figures — 3M Logo, Part Identification Number
Recessed Figures — Orientation Triangle
Printed Figures — Military Part Number, Date Code

Electrical

Current Rating: 1 Amp
Voltage Rating: 300 Vrms
Insulation Resistance: $> 1 \times 10^9 \Omega$ at 500 VDC
Withstanding Voltage: 1000 Vrms to Sea Level

Environmental

Temperature Rating: -55°C to $+120^{\circ}\text{C}$

CAGE (FSCM) No.: 53387

UL File No.: E68080

CSA File No.: LR 40791

3M Electronic Products Division

6801 River Place Blvd.
Austin, TX 78726-9000

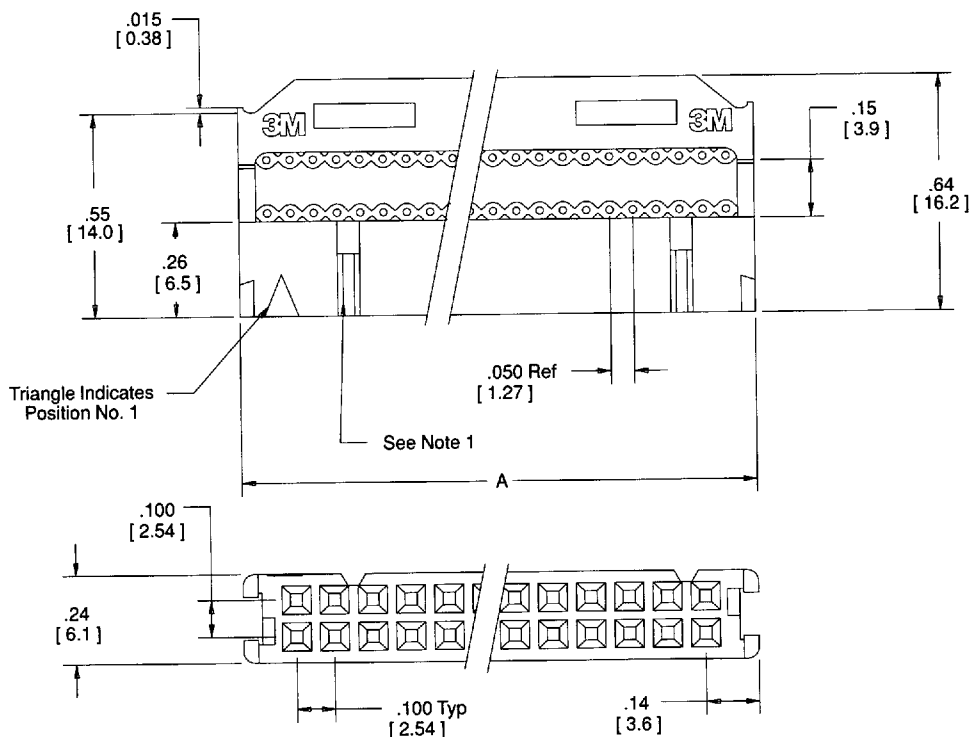
■ 9005413 0000469 315 ■

.100" x .100" Plug

MIL-C-83503/7 Qualified

Contact Quantity	3M Part Number	Military Part Number	Dim A
10	M3473-6010	M83503/7-01	.68 [17.3]
14	M3385-6014	M83503/7-02	.88 [22.4]
16	M3452-6016	M83503/7-03	.98 [24.9]
20	M3421-6020	M83503/7-04	1.18 [30.0]
24	M3626-6024	M83503/7-05	1.38 [35.1]
26	M3399-6026	M83503/7-06	1.48 [37.6]
30	M3419-6030	M83503/7-07	1.68 [42.7]
34	M3414-6034	M83503/7-08	1.88 [47.7]
40	M3417-6040	M83503/7-09	2.18 [55.4]
50	M3425-6050	M83503/7-10	2.68 [68.1]
60	M3334-6060	M83503/7-11	3.18 [80.8]

Sheet 2 of 2



TS-0125-01

Notes:

1. Polarizing groove non-existent on 3385 and 3473 series.
2. Connector body, cover and strain relief shown assembled cable cut-away.

Inch [mm]			
Tolerance Unless Noted			
	.0	.00	.000
Inch	±.1	±.01	±.005

[] Dimensions for Reference Only

Ordering Information

