

# Customer Information Sheet

DRAWING No.: M80-5T2XXXXBI, M80-5T2XXXXBI-00-000-00-000 SHT 2 OF 2

IF IN DOUBT - ASK

(C)

NOT TO SCALE

THIRD ANGLE PROJECTION

ALL DIMENSIONS IN mm

**SPECIFICATIONS:**

**MATERIAL:**  
 MOULDING = GLASS-FILLED PPS, UL94V-0, BLACK  
 CONTACT = PHOSPHOR BRONZE  
 BOARD/PANEL MOUNTS & NUTS = STAINLESS STEEL  
 BACKSHELL = ALUMINIUM ALLOY

**FINISH:**  
**CONTACTS:**  
 05 = 0.75µ GOLD ALL OVER  
 22 = 0.75µ GOLD ON CONTACT AREA,  
 3µ TIN/LEAD ON TAILS  
 42 = 0.75µ GOLD ON CONTACT AREA,  
 3µ 100% TIN ON TAILS

**BACKSHELL = NICKEL**

**ELECTRICAL:**  
 RF ATTENUATION = 10kHz to 400MHz @ >30dBs  
 IN GENERAL ACCORDANCE WITH MIL STD 1377 (1971)  
 CURRENT RATING AT 25°C = 3.0A MAX  
 CURRENT RATING AT 85°C = 2.2A MAX  
 WORKING VOLTAGE = 120V AC/DC  
 VOLTAGE PROOF = 360V AC/DC  
 CONTACT RESISTANCE = 25 mΩ MAX  
 INSULATION RESISTANCE = 100 MΩ MIN

**MECHANICAL:**  
 DURABILITY = 500 OPERATIONS

**ENVIRONMENTAL:**  
 TEMPERATURE RANGE = -55°C TO +121°C

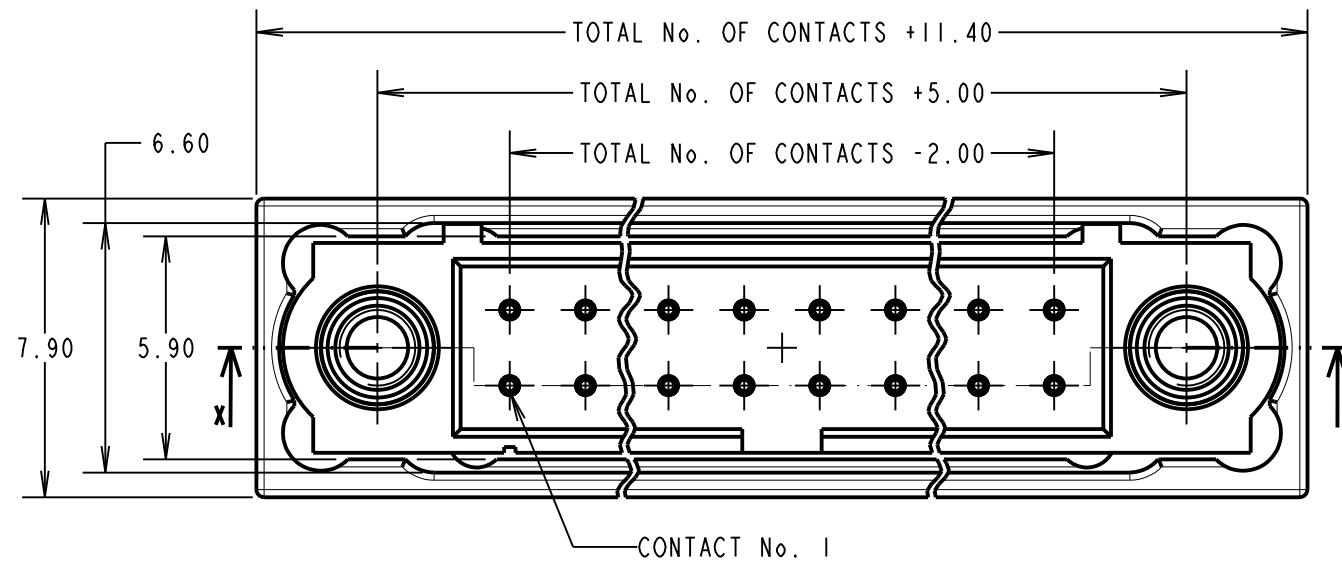
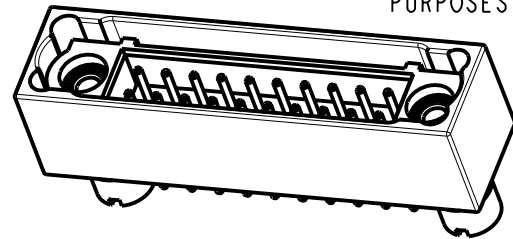
**PACKING:**  
 SEE NOTES

FOR COMPLETE SPECIFICATION, SEE COMPONENT SPECIFICATION C005XX (LATEST ISSUE) AND C042XX (LATEST ISSUE)

**NOTES:**

- SUPPLIED AS A KIT OF PARTS, CONNECTORS SHOWN ASSEMBLED FOR INFORMATION PURPOSES ONLY.
- CONNECTORS WITH JACKSCREWS ASSEMBLED WILL BE SUPPLIED IN TUBES, SLOTTED NUTS WILL BE SUPPLIED LOOSE IN A BAG, BACKSHELLS WILL BE INDIVIDUALLY BAGGED. KITS WILL BE BULK PACKED INTO BOXES.
- ALL PART LABELLING TO BE AS ORDER CODE, EITHER WITH TRAILING ZEROS OR LEFT BLANK AS PER ORDER CODE EXAMPLES 1 AND 2.

ASSEMBLED CONNECTOR SHOWN FOR ILLUSTRATION PURPOSES ONLY

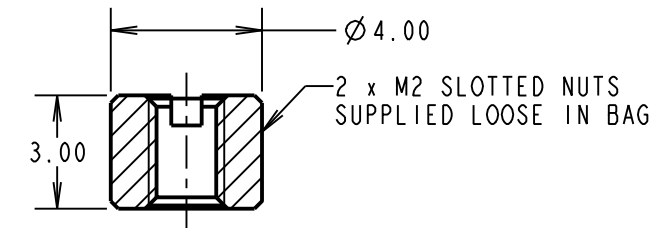
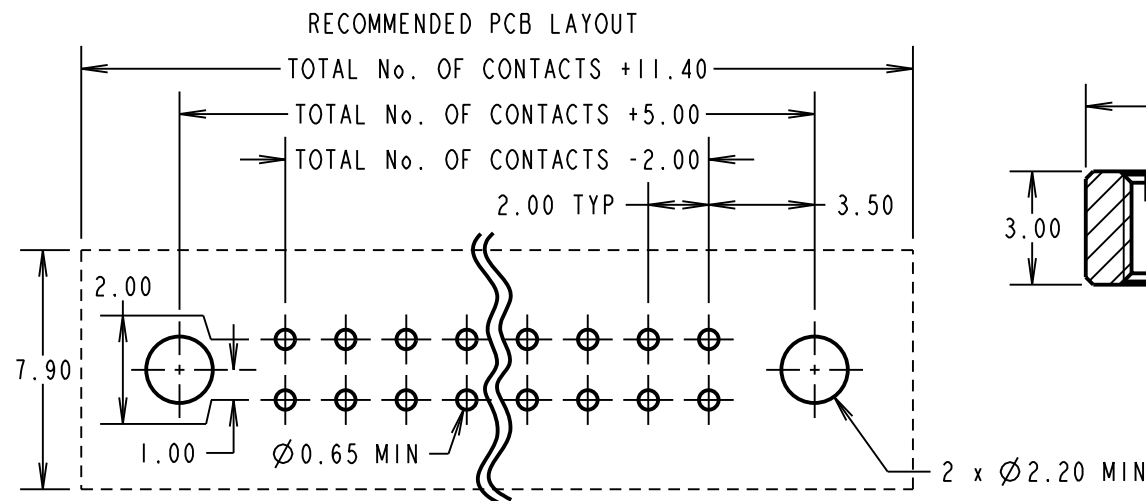
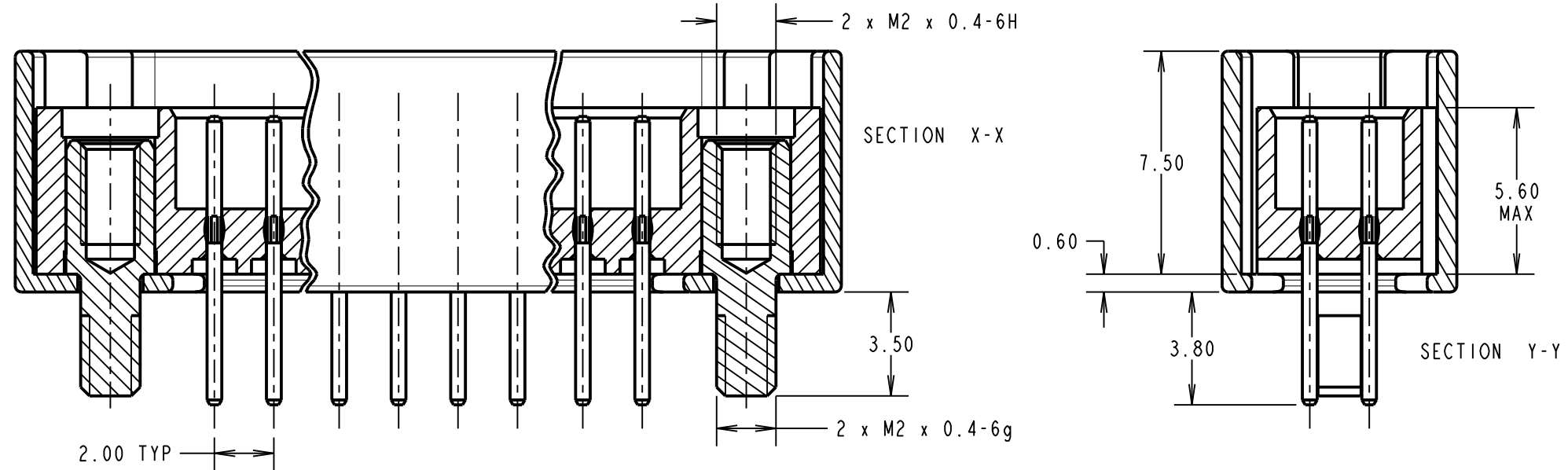


ORDER CODE: **M80-5T2XXXXBI-XX-XXX-XX-XXX**

TOTAL No. OF CONTACTS  
 06, 10, 14, 20, 26

FINISH CODE  
 05 - ALL OVER GOLD  
 22 - GOLD ON CONTACT AREA / TIN/LEAD ON TAIL  
 42 - GOLD ON CONTACT AREA / 100% TIN OVER NICKEL ON TAIL

NUMBER OF SPECIAL CONTACTS  
 X's CAN BE DISPLAYED AS TRAILING ZEROS OR LEFT BLANK  
 SEE EXAMPLE ORDER CODES FOR EXPLANATION.



EXAMPLE ORDER CODE 1: CONNECTOR WITH 20 CONTACTS, GOLD ON CONTACT AREA AND 100% TIN ON TAIL, 3.8mm PC TAIL

**M80-5T22042BI-00-000-00-000**

EXAMPLE ORDER CODE 2: CONNECTOR WITH 20 CONTACTS, GOLD ON CONTACT AREA AND 100% TIN ON TAIL, 3.8mm PC TAIL

**M80-5T22042BI**

**HARWIN**

HARWIN USA  
 TEL: 603 893 5376  
 FAX: 603 893 5396  
 mis@harwin.com

HARWIN Europe (UK)  
 TEL: 023 9231 4545  
 FAX: 023 9231 4590  
 mis@harwin.co.uk

HARWIN Asia  
 TEL: +65 6 779 4909  
 FAX: +65 6 779 3868  
 mis@harwin.com.sg

THIS DRAWING AND ANY INFORMATION OR DESCRIPTIVE MATTER SET OUT HEREON ARE CONFIDENTIAL AND COPYRIGHT PROPERTY OF THE HARWIN GROUP AND MUST NOT BE DISCLOSED, LOANED, COPIED OR USED FOR MANUFACTURING, TENDERING OR FOR ANY OTHER PURPOSE WITHOUT THEIR WRITTEN PERMISSION.

**TOLERANCES**  
 X. = ±1mm  
 X.X = ±0.25mm  
 X.XX = ±0.10mm  
 X.XXX = ±0.01mm  
 ANGLES = ±5°  
 UNLESS STATED

**MATERIAL:**  
 SEE ABOVE

**FINISH:**  
 SEE ABOVE

**S/AREA:**  
 mm<sup>2</sup>

**TITLE:** DATAMATE J-TEK DIL VERTICAL 3.8mm PC-TAIL MALE ASSY WITH METAL BACKSHELL

**DRAWING NUMBER:** M80-5T2XXXXBI, M80-5T2XXXXBI-00-000-00-000

SF	3	31.01.11	1110
NAME	ISS.	DATE	C/NOTE
APPROVED:		S.FLOWER	
CHECKED:		R.ADDE	
DRAWN:		S.FLOWER	
CUSTOMER REF.:			
ASSEMBLY DRG:			