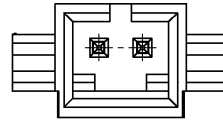


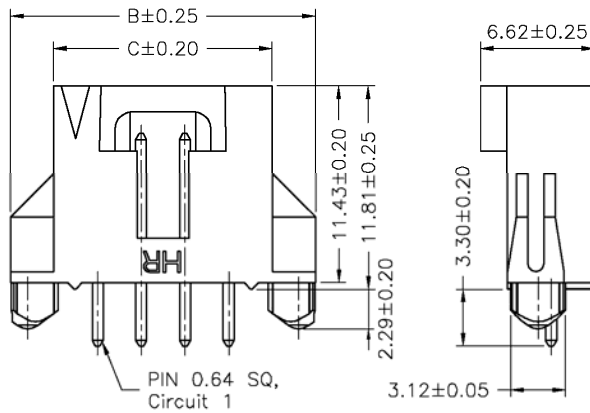
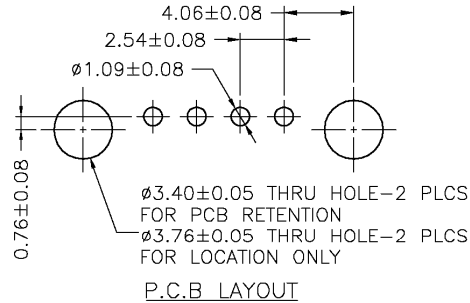
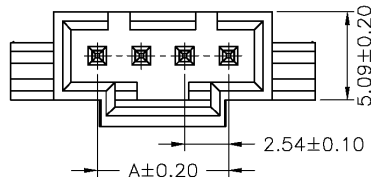
03P



02P

SPECIFICATIONS

Voltage rating: 250 VAC/VDC
 Current rating: 3 amps AC/DC
 Contact resistance: Initial value 10 milliohms max.; after testing 20milliohms max.
 Insulation material: PBT +15% glass fiber, UL94V-0
 Insulation resistance: 1,000 megohms min.
 Withstanding: 1,000VAC for 1 min.
 Temperature range: -25°C to + 85°C
 PC board thickness: .063 (1.6mm)



Poles	A	B	C
2	2.54	12.36	7.63
3	5.08	15.17	10.17
4	7.62	17.71	12.71
5	10.16	20.25	15.25
6	12.70	22.79	17.79
7	15.24	25.33	20.33
8	17.78	27.87	22.87
9	20.32	30.41	25.41
10	22.86	32.95	27.95
11	25.40	35.49	30.49
12	27.94	38.03	33.03

Series	Type	Positions
JS	1143X	XX
Pluggable Connector	1143=Top Entry 1143R=Side Entry 1143MP=Mounting Peg	02-12

RoHS compliant

Rev.	Description	Date	Approved	Drawing	Name	Date
				Approved	Howard	09/10/98
				Checked	Lizzy	09/10/98
				Drawn	Tina	09/10/98
				0.0 ± 0.35	0.00 ± 0.20	Angles ± 3'
				UNIT: mm		

Central Components Manufacturing
 440 Lincoln Blvd., Middlesex, New Jersey 08846
 Phone 732 469-5720 888 288-5152 Fax 732 469-1919

Part No.: **JS-1143MP-XX**
 Description: Disconnectable locking connector, .100" (2.54mm) pitch, Mounting Pegs