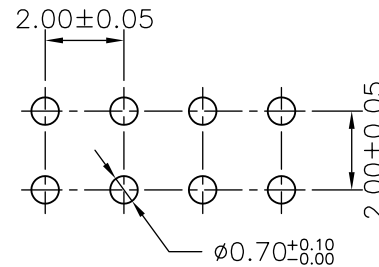
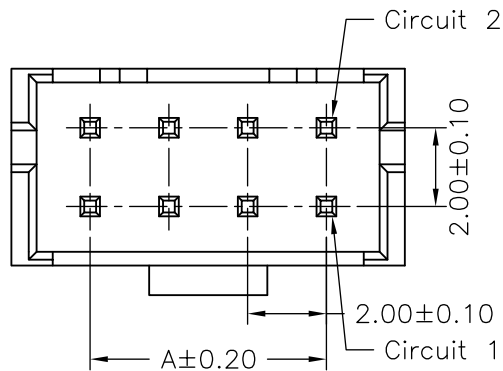


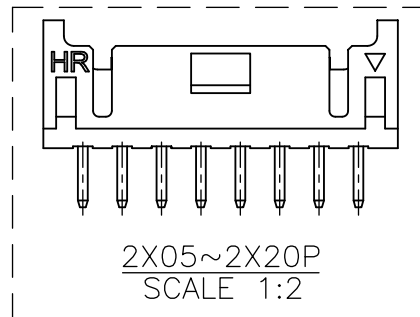
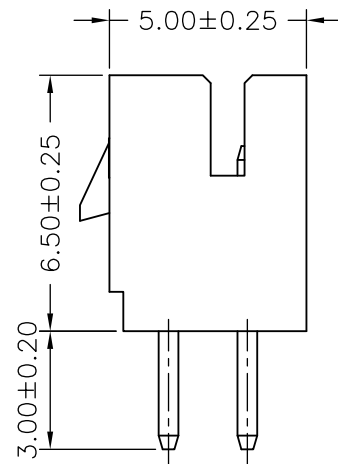
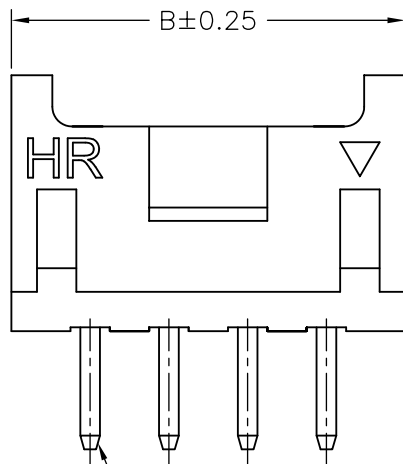
**SPECIFICATIONS**  
 Current Rating: 3A AC,DC  
 Voltage Rating: 250V AC,DC  
 Temperature Range: -25°C ~ +85°C  
 Contact Resistance: 10mΩ Max.  
 Insulation Resistance: 1000MΩ Min.  
 Withstanding Voltage: 800V AC/minute  
 Pin Material: Brass/Tin-plated  
 Material: Nylon 66,UL94V-0  
 Color: Natural(White)

**Ordering Information & Dimensions**

PART NO.	Dimensions	
	A	B
A2004WVB-2X02P	2.00	6.00
A2004WVB-2X03P	4.00	8.00
A2004WVB-2X04P	6.00	10.00
A2004WVB-2X05P	8.00	12.00
A2004WVB-2X06P	10.00	14.00
A2004WVB-2X07P	12.00	16.00
A2004WVB-2X08P	14.00	18.00
A2004WVB-2X09P	16.00	20.00
A2004WVB-2X10P	18.00	22.00
A2004WVB-2X11P	20.00	24.00
A2004WVB-2X12P	22.00	26.00
A2004WVB-2X13P	24.00	28.00
A2004WVB-2X14P	26.00	30.00
A2004WVB-2X15P	28.00	32.00
A2004WVB-2X16P	30.00	34.00
A2004WVB-2X17P	32.00	36.00
A2004WVB-2X18P	34.00	38.00
A2004WVB-2X19P	36.00	40.00
A2004WVB-2X20P	38.00	42.00



P.C.B LAYOUT



PIN 0.500 SQ  
 2X02~2X04P

					<b>JOINT TECH ELECTRONIC IND. CO., LTD.</b> <b>JOY DAY INDUSTRIAL CO., LTD.</b>	
			UNIT	SCALE	SHEET	TITLE:
			mm		1 of 1	<b>2.00mm PITCH</b> <b>180° WAFER</b>
			DRAWN BY	APPROVED BY		
			歐陽小強	謝瑞清		
			2008.01.08	2008.01.08		
			GENERAL TOLERANCE			
A1	REVISE	2008.06.02	X. X±0.25	ANGLE±		
A0	NEW RELEASE	2008.01.08	X. XX±0.15			
REV.	DESCRIPTION	DATE	X. XXX±0.05			
			DRAW NO. :		REV.	
			A2004WVB-2XNP		A1	