

1 2 3 4 5 6 7 8 9 0

J

I

H

G

F

E

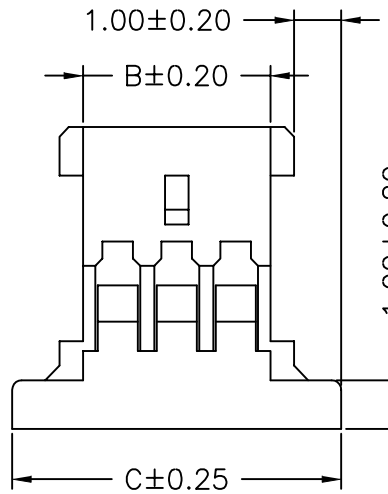
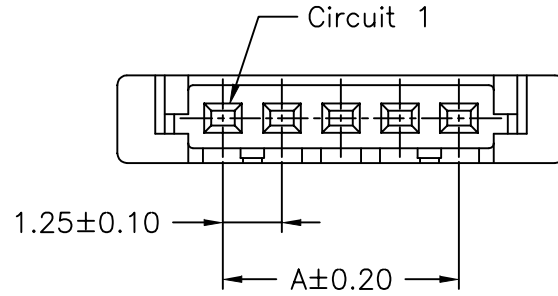
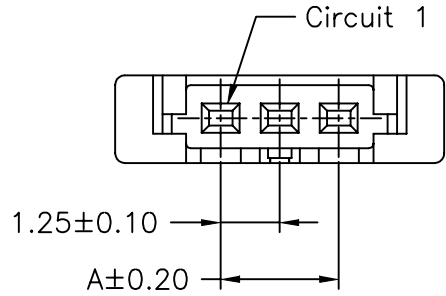
D

C

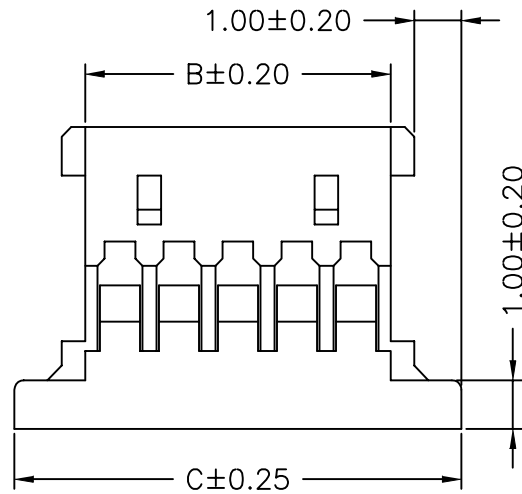
B

A

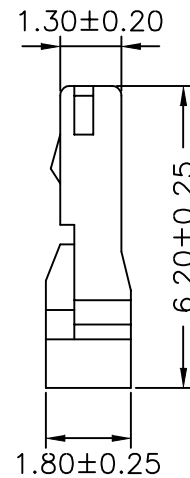
SPECIFICATIONS
 Current Rating: 1A AC,DC
 Voltage Rating: 100V AC,DC
 Temperature Range: -25°C ~ +85°C
 Contact Resistance: 20mΩ Max.
 Insulation Resistance: 500MΩ Min.
 Withstanding Voltage: 500V AC/minute
 Material: Nylon 66,UL94V-0



2~3P



4P以上



Information & Dimensions

PART NO.	Dimensions		
	A	B	C
PNM-H-02	1.25	2.72	5.72
PNM-H-03	2.50	3.97	6.97
PNM-H-04	3.75	5.22	8.22
PNM-H-05	5.00	6.47	9.47
PNM-H-06	6.25	7.72	10.72
PNM-H-07	7.50	8.97	11.97
PNM-H-08	8.75	10.22	13.22
PNM-H-09	10.00	11.47	14.47
PNM-H-10	11.25	12.72	15.72
PNM-H-11	12.50	13.97	16.97
PNM-H-12	13.75	15.22	18.22
PNM-H-14	16.25	17.72	20.72
PNM-H-15	17.50	18.97	21.97
PNM-H-20	23.75	25.22	28.22
PNM-H-30	36.25	37.72	40.72



煜倫有限公司

PART NO. PNM-H-xx

DWG NO. PNM-H-xx

FILE NO.

UNIT / mm

SCALE 1:1

CHECKED BY CY

DRAWING BY

PROJECTION

TOLERANCES ARE

.X ±
.XX ±
.XXX ±
AWG

DESCRIPTION:

1.25mm PITCH
HOUSING ULTRA LOW PROFILE

AREA

REVISIONS

HK

DATE