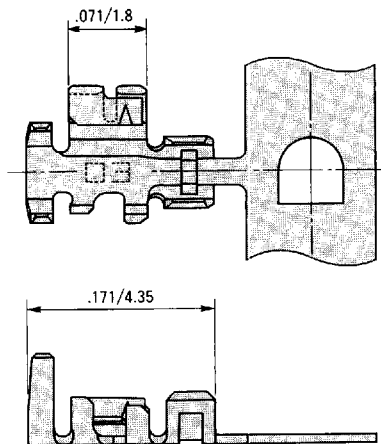


CONTACT

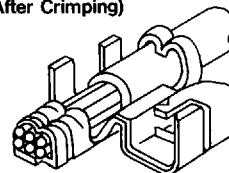


SERIES

8283

RECEPTACLE

Outside View (After Crimping)



ORDERING CODE

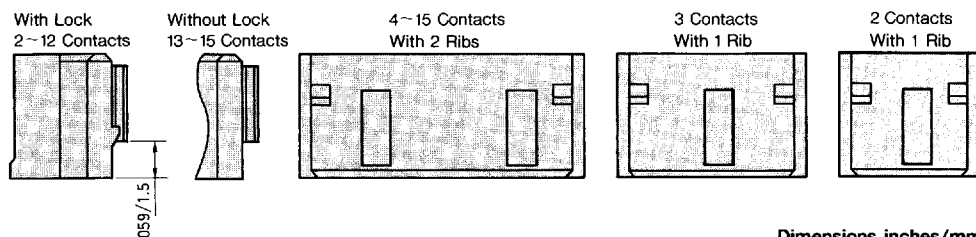
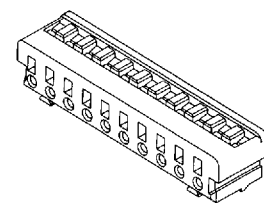
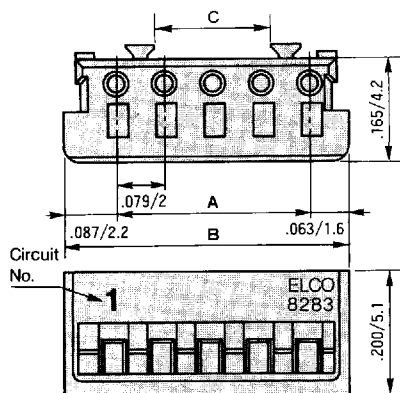
Typical Example

60 8283 0513 30 808

TYPE

Part Number	Type	Application Tooling	Insulation Diameter	Wire Size
0513 30	Loose	Crimping Pliers	.051/1.3 Max.	#24~30
0513 99	Chain	Crimping Machine		#24~30
3513 30	Loose	Crimping Pliers		#22~26
3513 99	Chain	Crimping Machine		#22~26

INSULATOR



ORDERING CODE

Typical Example

60 8283 3028 45 000

Dimensions inches/mm

NUMBER OF CONTACTS

No. of Pos.	A	B	C
02	.079/ 2	.228/ 5.8	
03	.157/ 4	.307/ 7.8	
04	.236/ 6	.386/ 9.8	2.8
05	.315/ 8	.465/11.8	4.8
06	.394/10	.543/13.8	6.8
07	.472/12	.622/15.8	8.8
08	.551/14	.701/17.8	10.8
09	.630/16	.780/19.8	12.8
10	.709/18	.858/21.8	14.8
11	.787/20	.937/23.8	16.8
12	.866/22	1.016/25.8	18.8
13	.945/24	1.095/27.8	20.8
14	1.024/26	1.174/29.8	22.8
15	1.102/28	1.252/31.8	24.8

$A = 2 \times (\text{No. of position-1}) / .07874 \times (\text{No. of position-1})$
 $B = 2 \times (\text{No. of position-1}) + 3.8 / .07874 \times (\text{No. of position-1}) + .150$
 $C = 2 \times (\text{No. of position-1}) - 3.2 / .07874 \times (\text{No. of position-1}) + .118$

COLOR

000:Natural (White) 001:Black 002:Red 003:Yellow

Features

Series 8283

A high-density and low-profile tin-plated connector having the height above the board of .268"/6.8mm for straight mounting and of .193"/4.9mm for right angle mounting and .079"/2.0mm spacing. A mating of receptacle contact with male pins is of high reliability multi-contact structure preventing fretting corrosion. The contact precludes entanglement in crimping because it has the construction to absorb dispersion of cable conductor strip length (.118 to .150"/3 to 3.8mm) in harnessing.

Series 9073

A board-in type connector for inserting contacts directly into a board.

The connector includes both types of right angle mounting and straight mounting. The height above the board is .130"/3.3 mm for right angle mounting and .220"/5.6mm for straight mounting, hence a low-profile design. The connector features the use of the same insulator either for straight type or for right angle type.

Specifications

Series 8283

Number of Positions	2 to 15
Contact Spacing	.079"/2.0mm
Height on PC Board	.193"/4.9mm(Right Angle) .268"/6.8mm(Straight)
Wire-Size	AWG #24-#30
Current Rating	1A Maximum
Voltage Rating	125V Maximum
Dielectric Withstanding Voltage	1000 Vrms/min. at see level
Contact Material	Pre-tinned Phosphor Bronze
Post Material	Brass, Plating-Tin over Copper
Insulator Material	Nylon 66 UL 94V-0
Insulator Color	Natural(White), Black, Red and Yellow
UL File No.	E67646

Series 9073

Number of Positions	2 to 16 position
Contact Spacing	.079"/2.0mm
Height on PC Board	.220"/5.6mm(Straight) .130"/3.3mm(Right Angle)
Wire size	AWG#24~#30
Current Rating	1A Maximum
Voltage Rating	125V Maximum
Dielectric Withstanding Voltage	1000Vrms/min.
Contact Material	Brass, Plating-Tin over Copper
Insulator Material	Nylon 66 UL 94-0
Insulator Color	Natural(White)