

# ES29LV400D

## 4Mbit(512Kx 8/256K x 16)

### CMOS 3.0 Volt-only, Boot Sector Flash Memory

#### GENERAL FEATURES

- **Single power supply operation**
  - 2.7V -3.6V for read, program and erase operations
- **Sector Structure**
  - 16Kbyte x 1, 8Kbyte x 2, 32Kbyte x 1 boot sectors
  - 64Kbyte x 7sectors
- **Top or Bottom boot block**
  - ES29LV400DT for Top boot block device
  - ES29LV400DB for Bottom boot block device
- **Package Options**
  - 48-pin TSOP
  - 48-ball FBGA ( 6 x 8 mm )
  - Pb-free packages
  - All Pb-free products are RoHS-Compliant
- **Low Vcc write inhibit**
- **Manufactured on 0.18um process technology**
- **Compatible with JEDEC standards**
  - Pinout and software compatible with single-power supply flash standard

#### DEVICE PERFORMANCE

- **Read access time**
  - 70ns for regulated Vcc range (3.0V - 3.6V)
  - 90ns/120n for normal Vcc range ( 2.7V - 3.6V )
- **Program and erase time**
  - Program time : 6us/byte, 8us/word ( typical )
  - Sector erase time : 0.7sec/sector ( typical )
- **Power consumption (typical values)**
  - 200nA in standby or automatic sleep mode
  - 7mA active read current at 5 MHz
  - 15mA active write current during program or erase

- **Minimum 100,000 program/erase cycles per sector**
- **20 Year data retention at 125°C**

#### SOFTWARE FEATURES

- **Erase Suspend / Erase Resume**
- **Data# poll and toggle for Program/erase status**
- **Unlock Bypass program**
- **Autoselect mode**
- **Auto-sleep mode after  $t_{ACC} + 30ns$**

#### HARDWARE FEATURES

- **Hardware reset input pin ( RESET# )**
  - Provides a hardware reset to device
  - Any internal device operation is terminated and the device returns to read mode by the reset
- **Ready/Busy# output pin ( RY/BY# )**
  - Provides a program or erase operational status about whether it is finished for read or still being progressed
- **Sector protection / unprotection ( RESET# , A9 )**
  - Hardware method of locking a sector to prevent any program or erase operation within that sector
  - Two methods are provided :
    - In-system method by RESET# pin
    - A9 high-voltage method for PROM programmers
- **Temporary Sector Unprotection ( RESET# )**
  - Allows temporary unprotection of previously protected sectors to change data in-system



## GENERAL PRODUCT DESCRIPTION

The ES29LV400 is a 4 megabit, 3.0 volt-only flash memory device, organized as 512K x 8 bits (Byte mode) or 256K x 16 bits (Word mode) which is configurable by BYTE#. Four boot sectors and seven main sectors are provided : 16Kbytes x 1, 8Kbytes x 2, 32Kbytes x 1 and 64Kbytes x 7. The device is manufactured with ESI's proprietary, high performance and highly reliable 0.18um CMOS flash technology. The device can be programmed or erased in-system with standard 3.0 Volt Vcc supply ( 2.7V-3.6V) and can also be programmed in standard EPROM programmers. The device offers minimum endurance of 100,000 program/erase cycles and more than 10 years of data retention.

The ES29LV400 offers access time as fast as 70ns, allowing operation of high-speed microprocessors without wait states. Three separate control pins are provided to eliminate bus contention : chip enable (CE#), write enable (WE#) and output enable (OE#).

All program and erase operation are automatically and internally performed and controlled by embedded program/erase algorithms built in the device. The device automatically generates and times the necessary high-voltage pulses to be applied to the cells, performs the verification, and counts the number of sequences. Some status bits (DQ7, DQ6 and DQ5) read by data# polling or toggling between consecutive read cycles provide to the users the internal status of program/erase operation: whether it is successfully done or still being progressed.

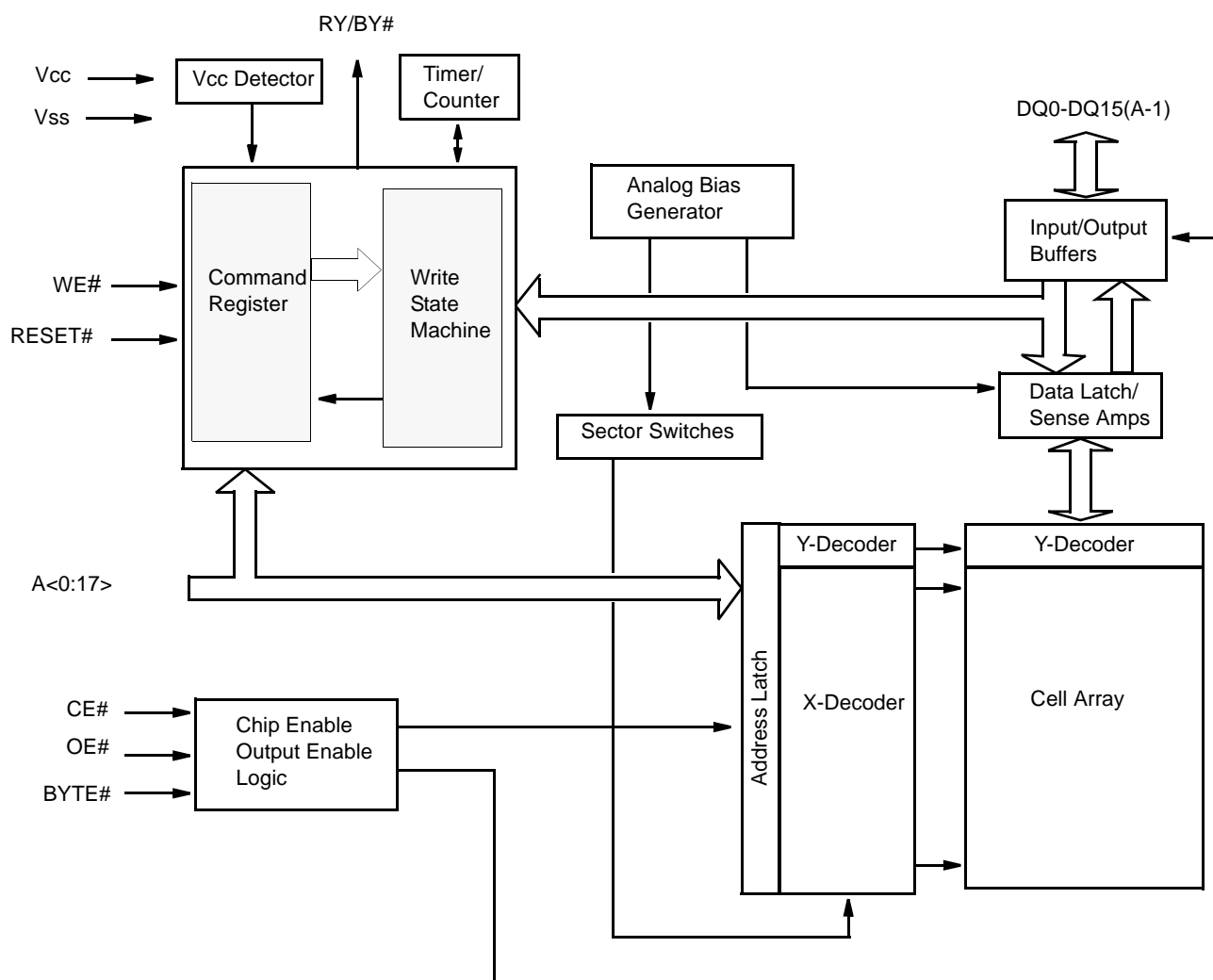
The ES29LV400 is completely compatible with the JEDEC standard command set of single power supply Flash. Commands are written to the internal command register using standard write timings of microprocessor and data can be read out from the cell array in the device with the same way as used in other EPROM or flash devices.



## PRODUCT SELECTOR GUIDE

Family Part Number	ES29LV400		
Voltage Range	3.0 ~ 3.6V	2.7 ~ 3.6V	
Speed Option	<b>70R</b>	<b>90</b>	<b>120</b>
Max Access Time (ns)	70	90	120
CE# Access (ns)	70	90	120
OE# Access (ns)	30	35	50

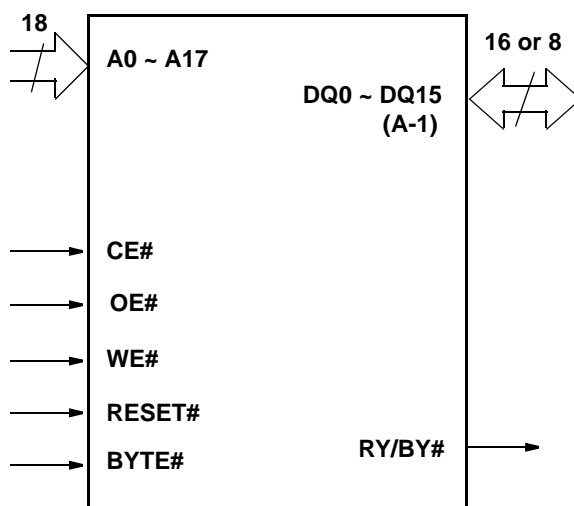
## FUNCTION BLOCK DIAGRAM



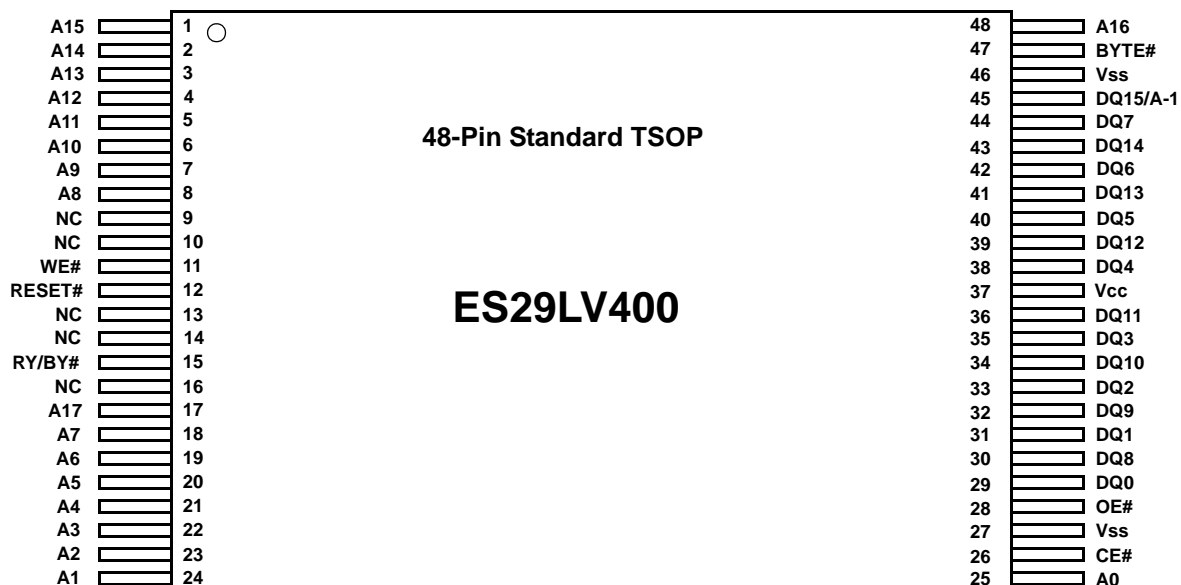
## PIN DESCRIPTION

Pin	Description
A0-A17	18 Addresses
DQ0-DQ14	15 Data Inputs/Outputs
DQ15/A-1	DQ15 (Data Input/Output, Word Mode) A-1 (LSB Address Input, Byte Mode)
CE#	Chip Enable
OE#	Output Enable
WE#	Write Enable
RESET#	Hardware Reset Pin, Active Low
BYTE#	Selects 8-bit or 16-bit mode
RY/BY#	Ready/Busy Output
V <sub>cc</sub>	3.0 volt-only single power supply (see Product Selector Guide for speed options and voltage supply tolerances)
V <sub>ss</sub>	Device Ground
NC	Pin Not Connected Internally

## LOGIC SYMBOL

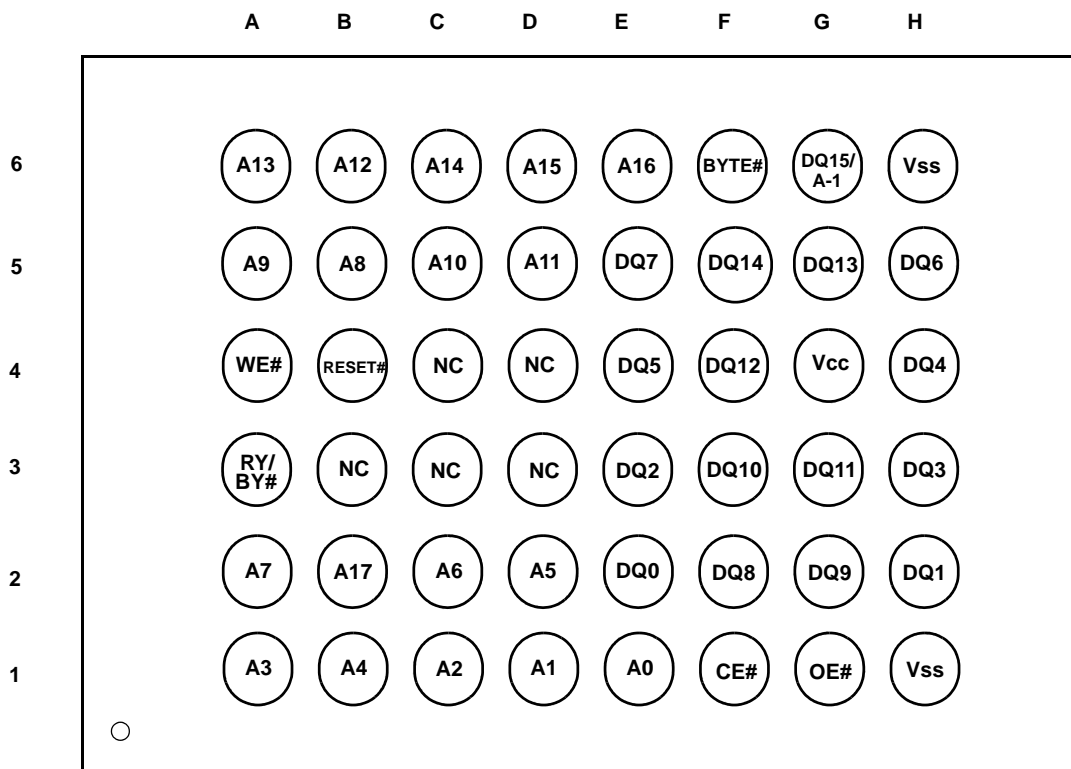


## CONNECTION DIAGRAM



### 48-Ball FBGA (6 x 8 mm)

(Top View, Balls Facing Down)



## DEVICE BUS OPERATIONS

Several device operational modes are provided in the ES29LV400 device. Commands are used to initiate the device operations. They are latched and stored into internal registers with the address and data information needed to execute the device operation.

The available device operational modes are listed in Table 1 with the required inputs, controls, and the resulting outputs. Each operational mode is described in further detail in the following subsections.

### Read

The internal state of the device is set for the read mode and the device is ready for reading array data upon device power-up, or after a hardware reset. To read the stored data from the cell array of the device, CE# and OE# pins should be driven to  $V_{IL}$  while WE# pin remains at  $V_{IH}$ . CE# is the power control and selects the device. OE# is the output control and gates array data to the output pins.

Word or byte mode of output data is determined by the BYTE# pin. No additional command is needed in this mode to obtain array data. Standard micro-processor read cycles that assert valid addresses

on the device address inputs produce valid data on the device data outputs. The device stays at the read mode until another operation is activated by writing commands into the internal command register. Refer to the AC read cycle timing diagrams for further details ( Fig. 16 ).

### Word/Byte Mode Configuration ( BYTE# )

The device data output can be configured by BYTE# into one of two modes : word and byte modes. If the BYTE# pin is set at logic '1', the device is configured in word mode, DQ0 - DQ15 are active and controlled by CE# and OE#. If the BYTE# pin is set at logic '0', the device is configured in byte mode, and only data I/O pins DQ0 - DQ7 are active and controlled by CE# and OE#. The data I/O pins DQ8 - DQ14 are tri-stated, and the DQ15 pin is used as an input for the LSB (A-1) address.

### Standby Mode

When the device is not selected or activated in a system, it needs to stay at the standby mode, in which current consumption is greatly reduced with outputs in the high impedance state.

The device enters the CMOS standby mode when CE# and RESET# pins are both held at  $V_{CC} \pm 0.3V$ . (Note that this is a more restricted voltage range than  $V_{IH}$ .) If CE# and RESET# are held at  $V_{IH}$ , but not within  $V_{CC} \pm 0.3V$ , the device will be still in the standby mode, but the standby current will be greater than the CMOS standby current (0.2uA typically). When the device is in the standby mode, only standard access time ( $t_{CE}$ ) is required for read access, before it is ready for read data. And even if the device is deselected by CE# pin during erase or programming operation, the device draws active current until the operation is completely done. While the device stays in the standby mode, the output is placed in the high impedance state, independent of the OE# input.

The device can enter the deep power-down mode where current consumption is greatly reduced down to less than 0.2uA typically by the following three ways:

- **CMOS standby** ( CE#, RESET# =  $V_{CC} \pm 0.3V$  )
- **During the device reset** ( RESET# =  $V_{SS} \pm 0.3V$  )
- **In Autosleep Mode** ( after  $t_{ACC} + 30ns$  )

Refer to the CMOS DC characteristics Table 7 for further current specification.

### Autosleep Mode

The device automatically enters a deep power-down mode called the autosleep mode when addresses remain stable for  $t_{ACC} + 30ns$ . In this mode, current consumption is greatly reduced ( less than 0.2uA typical ), regardless of CE#, WE# and OE# control signals.

### Writing Commands

To write a command or command sequences to initiate some operations such as program or erase, the system must drive WE# and CE# to  $V_{IL}$ , and OE# to  $V_{IH}$ . For program operations, the BYTE# pin determines whether the device accepts program data in bytes or words. Refer to "BYTE# timings for Write Operations" in the Fig. 19 for more information.

### Unlock Bypass Mode

To reduce more the programming time, an unlock-bypass mode is provided. Once the device enters this mode, only two write cycles are required to initiate the programming operation instead of four cycles in the normal program command sequences which are composed of two unlock cycles, program

set-up cycle and the last cycle with the program data and addresses. In this mode, two unlock cycles are saved ( or bypassed ).

### Sector Addresses

The entire memory space of cell array is divided into a many of small sectors: 16Kbytes x 1, 8Kbytes x 2, 32Kbytes x 1 and 64Kbytes x 7 main sectors. In erase operation, a single sector, multiple sectors, or the entire device (chip erase) can be selected for erase. The address space that each sector occupies is shown in detail in the Table 3-4.

### Autoselect Mode

Flash memories are intended for use in applications where the local CPU alters memory contents. In such applications, manufacturer and device identification (ID) codes must be accessible while the device resides in the target system ( the so called "in-system program"). On the other hand, signature codes have been typically accessed by raising A9 pin to a high voltage in PROM programmers. However, multiplexing high voltage onto address lines is not the generally desired system design practice. Therefore, in the ES29LV400 device an **autoselect command** is provided to allow the system to access the signature codes without any high voltage. The conventional **A9 high-voltage method** used in the PROM programers for signature codes are still supported in this device.

If the system writes the autoselect command sequence, the device enters the Autoselect mode. The system can then read some useful codes such as manufacturer and device ID from the internal registers on DQ7 - DQ0. Standard read cycle timings apply in this mode. In the Autoselect mode, the following three informations can be accessed through either autoselect command method or A9 high-voltage autoselect method. Refer to the Table 2.

- **Manufacturer ID**
- **Device ID**
- **Sector protection verify**

### Hardware Device Reset ( RESET# )

The RESET# pin provides a hardware method of resetting the device to read array data. When the RESET# pin is driven low for at least a period of  $t_{RP}$ ,

the device immediately terminates any operation in progress, tristates all output pins, and ignores all read/write commands for the duration of the RESET# pulse. The device also resets the internal state machine to reading array data. The operation that was interrupted should be reinitiated once after the device is ready to accept another command sequence, to ensure data integrity.

### CMOS Standby during Device Reset

Current is reduced for the duration of the RESET# pulse. When RESET# is held at  $V_{SS} \pm 0.3V$ , the device draws the greatly reduced CMOS standby current ( $I_{CC4}$ ). If RESET# is held at  $V_{IL}$  but not within  $V_{SS} \pm 0.3V$ , the standby current will be greater.

### RY/BY# and Terminating Operations

If RESET# is asserted during a program or erase operation, the RY/BY# pin remains a "0" (busy) until the internal reset operation is completed, which requires a time of  $t_{READY}$  (during Embedded Algorithms). The system can thus monitor RY/BY# to determine whether the reset operation is completed. If RESET# is asserted when a program or erase operation is not executing (RY/BY# pin is "1"), the reset operation is completed within a time of  $t_{READY}$  (not during Embedded Algorithms). The system can read data after the RESET# pin returns to  $V_{IH}$ , which requires a time of  $t_{RH}$ .

### RESET# tied to the System Reset

The RESET# pin may be tied to the system reset circuitry. A system reset would thus also reset the Flash memory, enabling the system to read the boot-up firmware from the Flash memory. Refer to the AC Characteristics tables for RESET# parameters and to Fig. 17 for the timing diagram.

## SECTOR PROTECTION

The ES29LV400 features hardware sector protection. In the device, sector protection is performed on the sector previously defined in the Table 3-4. Once after a sector is protected, any program or erase operation is not allowed in the protected sector. The previously protected sectors must be unprotected by one of the unprotect methods provided here before changing data in those sectors.

Sector protection can be implemented via two methods.

- In-system protection
- A9 High-voltage protection

To check whether the sector protection was successfully executed or not, another operation called "protect verification" needs to be performed after the protection operation on a sector. All protection and protect verifications provided in the device are summarized in detail at the Table 1.

### In-System Protection

"In-system protection", the primary method, requires  $V_{ID}$  (11.5V~12.5V) on the RESET# with  $A6=0$ ,  $A1=1$ , and  $A0=0$ . This method can be implemented either in-system or via programming equipment. This method uses standard microprocessor bus cycle timing. Refer to Fig. 26 for timing diagram and Fig. 2 for the protection algorithm.

### A9 High-Voltage Protection

"High-voltage protection", the alternate method intended only for programming equipment, must force  $V_{ID}$  (11.5~12.5V) on address pin A9 and control pin OE# with  $A6=0$ ,  $A1=1$  and  $A0=0$ . Refer to Fig. 28 for timing diagram and Fig. 4 for the protection algorithm.

## SECTOR UNPROTECTION

The previously protected sectors must be unprotected before modifying any data in the sectors. The sector unprotection algorithm unprotects all sectors in parallel. All unprotected sectors must first be protected prior to the first sector unprotection write cycle to avoid any over-erase due to the intrinsic erase characteristics of the protection cell. After the unprotection operation, all previously protected sectors will need to be individually re-protected. Standard microprocessor bus cycle timings are used in the unprotection and unprotect verification operations. Three unprotect methods are provided in the ES29LV400 device. All unprotection and unprotect verification cycles are summarized in detail at the Table 1.

- In-system unprotection
- A9 High-voltage unprotection
- Temporary sector unprotection



## In-System Unprotection

“In-system unprotection”, the primary method, requires  $V_{ID}$  (11.5V~12.5V) on the **RESET#** with  $A6=1$ ,  $A1=1$ , and  $A0=0$ . This method can be implemented either in-system or via programming equipment. This method uses standard microprocessor bus cycle timing. Refer to Fig. 26 for timing diagram and Fig. 3 for the unprotection algorithm.

## A9 High-Voltage Unprotection

“High-voltage unprotection”, the alternate method intended only for programming equipment, must force  $V_{ID}$  (11.5~12.5V) on address pin **A9** and control pin **OE#** with  $A6=1$ ,  $A1=1$  and  $A0=0$ . Refer to Fig. 29 for timing diagram and Fig. 5 for the unprotection algorithm.

## Temporary Sector Unprotect

This feature allows temporary unprotection of previously protected sectors to change data in-system. The Sector Unprotect mode is activated by setting the **RESET#** pin to  $V_{ID}$  (11.5V-12.5V). During this mode, formerly protected sectors can be programmed or erased by selecting the sector addresses. Once  $V_{ID}$  is removed from the **RESET#** pin, all the previously protected sectors are protected again. Fig. 1 shows the algorithm, and Fig. 25 shows the timing diagrams for this feature.

## HARDWARE DATA PROTECTION

The ES29LV400 device provides some protection measures against accidental erasure or programming caused by spurious system level signals that may exist during power transition. During power-up, all internal registers and latches in the device are cleared and the device automatically resets to the read mode. In addition, with its internal state machine built-in the device, any alteration of the memory contents or any initiation of new operation can only occur after successful completion of specific command sequences. And several features are incorporated to prevent inadvertent write cycles resulting from  $V_{cc}$  power-up and power-down transition or system noise.

## Low $V_{cc}$ Write inhibit

When  $V_{cc}$  is less than  $V_{LKO}$ , the device does not accept any write cycles. This protects data during  $V_{cc}$  power-up and power-down.

The command register and all internal program/erase circuits are disabled, and the device resets to the read mode. Subsequent writes are ignored until  $V_{cc}$  is greater than  $V_{LKO}$ . The system must provide proper signals to the control pins to prevent unintentional writes when  $V_{cc}$  is greater than  $V_{LKO}$ .

## Write Pulse “Glitch” Protection

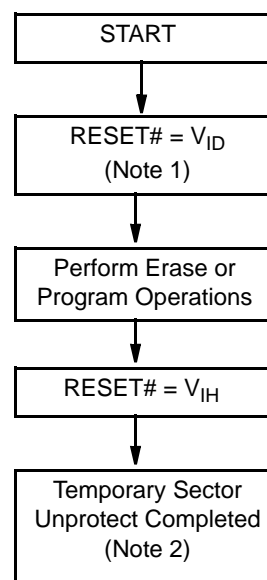
Noise pulses of less than 5ns (typical) on **OE#**, **CE#** or **WE#** do not initiate a write cycle.

## Logical inhibit

Write cycles are inhibited by holding any one of  $OE#=V_{IL}$ ,  $CE#=V_{IH}$  or  $WE#=V_{IH}$ . To initiate a write cycle, **CE#** and **WE#** must be a logical zero while **OE#** is a logical one.

## Power-up Write Inhibit

If  $WE#=CE#=V_{IL}$  and  $OE#=V_{IH}$  during power up, the device does not accept any commands on the rising edge of **WE#**. The internal state machine is automatically reset to the read mode on power-up.



### Notes:

1. All protected sectors are unprotected .
2. All previously protected sectors are protected once again.

**Figure 1. Temporary Sector Unprotect Operation**

**Table 1. ES29LV400 Device Bus Operations**

Operation		CE#	OE#	WE#	RESET#	Addresses (Note 1)	DQ0 ~ DQ7	DQ8~DQ15	
								BYTE# = V <sub>IH</sub>	BYTE# = V <sub>IL</sub>
Read		L	L	H	H	A <sub>IN</sub>	D <sub>OUT</sub>	D <sub>OUT</sub>	DQ8~DQ14 = High-Z, DQ15 = A-1
Write		L	H	L	H	A <sub>IN</sub>	(Note 3)	(Note 3)	
Standby		V <sub>CC</sub> ± 0.3V	X	X	V <sub>CC</sub> ± 0.3V	X	High-Z	High-Z	High-Z
Output Disable Reset		L	H	H	H	X	High-Z	High-Z	
		X	X	X	L	X	High-Z	High-Z	
In-system	Sector Protect (Note 2)	L	H	L	V <sub>ID</sub>	SA,A6=L, A1=H,A0=L	(Note 3)	X	X
	Sector Unprotect (Note 2)	L	H	L	V <sub>ID</sub>	SA,A6=H, A1=H,A0=L	(Note 3)	X	X
	Temporary Sector Unprotect	X	X	X	V <sub>ID</sub>	A <sub>IN</sub>	(Note 3)	(Note 3)	High-Z
A9 High-Volt- age Method	Sector protect	L	V <sub>ID</sub>	L	H	SA,A9=V <sub>ID</sub> , A6=L, A1=H,A0=L	(Note 3)	(Note 3)	High-Z
	Sector unprotect	L	V <sub>ID</sub>	L	H	SA,A9=V <sub>ID</sub> , A6=H, A1=H,A0=L			

**Legend:** L=Logic Low=V<sub>IL</sub>, H=Logic High=V<sub>IH</sub>, V<sub>ID</sub>=11.5-12.5V, X=Don't Care, SA=Sector Address, A<sub>IN</sub>=Address In, D<sub>IN</sub>=Data In, D<sub>OUT</sub>=Data Out

**Notes:**

- Addresses are A17:A0 in word mode (BYTE#=V<sub>IH</sub>), A17:A-1 in byte mode (BYTE#=V<sub>IL</sub>).
- The sector protect and sector unprotect functions may also be implemented via programming equipment. See the "Sector Protection and Unprotection" section.
- D<sub>IN</sub> or D<sub>OUT</sub> as required by command sequence, data polling, or sector protection algorithm.

**Table 2. Autoselect Codes (A9 High-Voltage Method)**

Description	CE#	OE#	WE#	A17 to A12	A11 to A10	A9	A8 to A7	A6	A5 to A2	A1	A0	DQ8~DQ15		DQ7~DQ0
												BYTE# = V <sub>IH</sub>	BYTE# = V <sub>IL</sub>	
ManufactureID:ESI	L	L	H	X	X	V <sub>ID</sub>	X	L	X	L	L	X	X	4Ah
Device ID: ES29LV400	L	L	H	X	X	V <sub>ID</sub>	X	L	X	L	H	22h	X	B9h(T),BAh(B)
Sector Protection Verification	L	L	H	SA	X	V <sub>ID</sub>	X	L	X	H	L	X	X	01h(protected) 00h(unprotected)

**Legend:** T= Top Boot Block, B = Bottom Boot Block, L=Logic Low=V<sub>IL</sub>, H=Logic High=V<sub>IH</sub>, SA=Sector Address, X = Don't care

**Table 3. Top Boot Sector Addresses (ES29LV400DT)**

Sector	Sector address A17~A12	Sector Size (Kbytes/Kwords)	(X8) Address Range	(X16) Address Range	Remark
SA0	000XXX	64/32	00000h~0FFFFh	00000h~07FFFh	Main Sector
SA1	001XXX	64/32	10000h~1FFFFh	08000h~0FFFFh	
SA2	010XXX	64/32	20000h~2FFFFh	10000h~17FFFh	
SA3	011XXX	64/32	30000h~3FFFFh	18000h~1FFFFh	
SA4	100XXX	64/32	40000h~4FFFFh	20000h~27FFFh	
SA5	101XXX	64/32	50000h~5FFFFh	28000h~2FFFFh	
SA6	110XXX	64/32	60000h~6FFFFh	30000h~37FFFh	
SA7	1110XX	32/16	70000h~77FFFh	38000h~3BFFFh	Boot Sector
SA8	111100	8/4	78000h~79FFFh	3C000h~3CFFFh	
SA9	111101	8/4	7A000h~7BFFFh	3D000h~3DFFFh	
SA10	11111X	16/8	7C000h~7FFFFh	3E000h~3FFFFh	

**Note:**

The addresses range is A17:A-1 in byte mode (BYTE#=V<sub>IL</sub>) or A17:A0 in word mode (BYTE#=V<sub>IH</sub>).

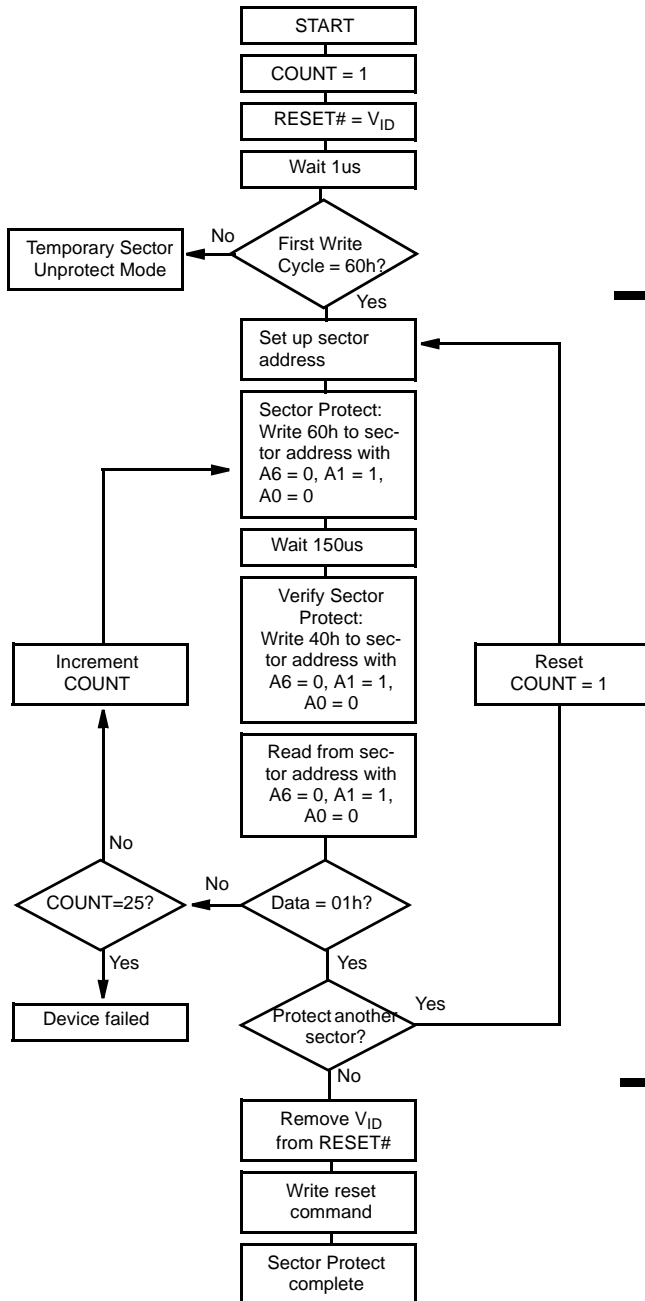
**Table 4. Bottom Boot Sector Addresses (ES29LV400DB)**

Sector	Sector address A17~A12	Sector Size (Kbytes/Kwords)	(X8) Address Range	(X16) Address Range	Remark
SA0	00000X	16/8	00000h~03FFFh	00000h~01FFFh	Boot Sector
SA1	000010	8/4	04000h~05FFFh	02000h~02FFFh	
SA2	000011	8/4	06000h~07FFFh	03000h~03FFFh	
SA3	0001XX	32/16	08000h~0FFFFh	04000h~07FFFh	
SA4	001XXX	64/32	10000h~1FFFFh	08000h~0FFFFh	Main Sector
SA5	010XXX	64/32	20000h~2FFFFh	10000h~17FFFh	
SA6	011XXX	64/32	30000h~3FFFFh	18000h~1FFFFh	
SA7	100XXX	64/32	40000h~4FFFFh	20000h~27FFFh	
SA8	101XXX	64/32	50000h~5FFFFh	28000h~2FFFFh	
SA9	110XXX	64/32	60000h~6FFFFh	30000h~37FFFh	
SA10	111XXX	64/32	70000h~7FFFFh	38000h~3FFFFh	

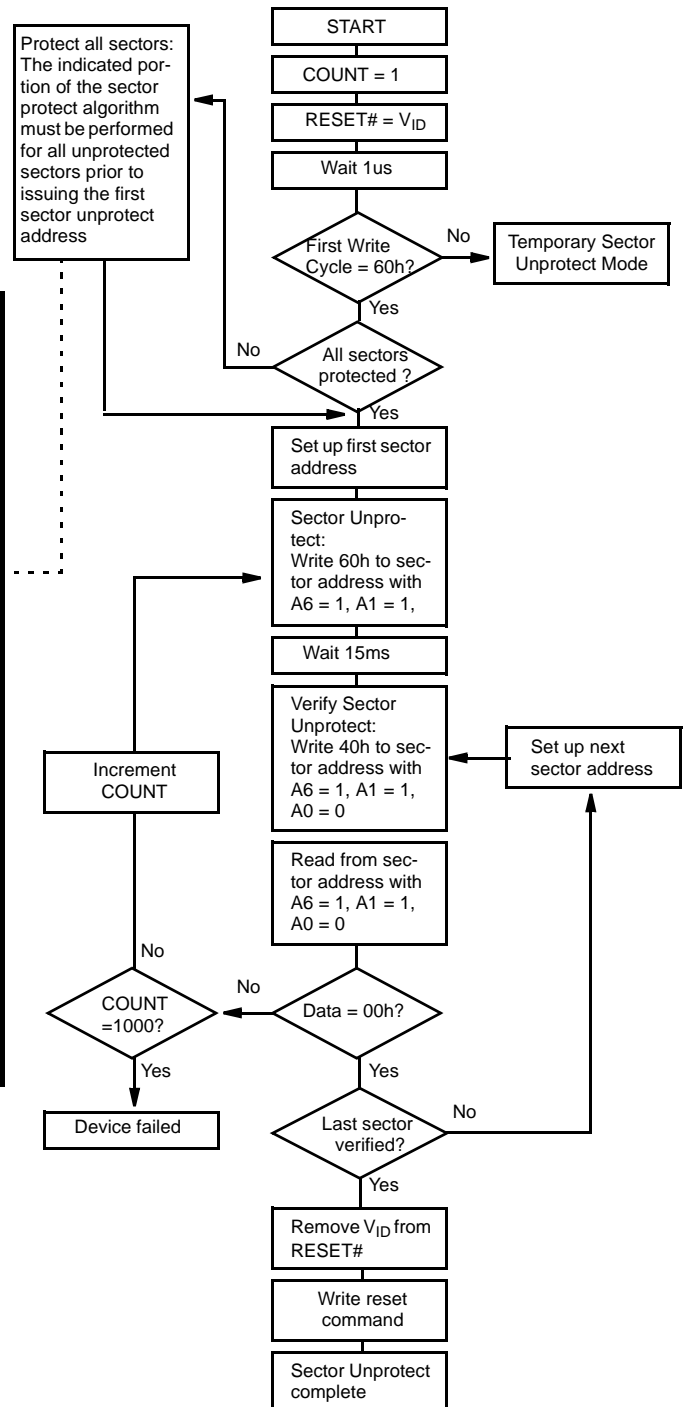
**Note:**

The addresses range is A17:A-1 in byte mode (BYTE#=V<sub>IL</sub>) or A17:A0 in word mode (BYTE#=V<sub>IH</sub>).

## In-System Protection / Unprotection Method

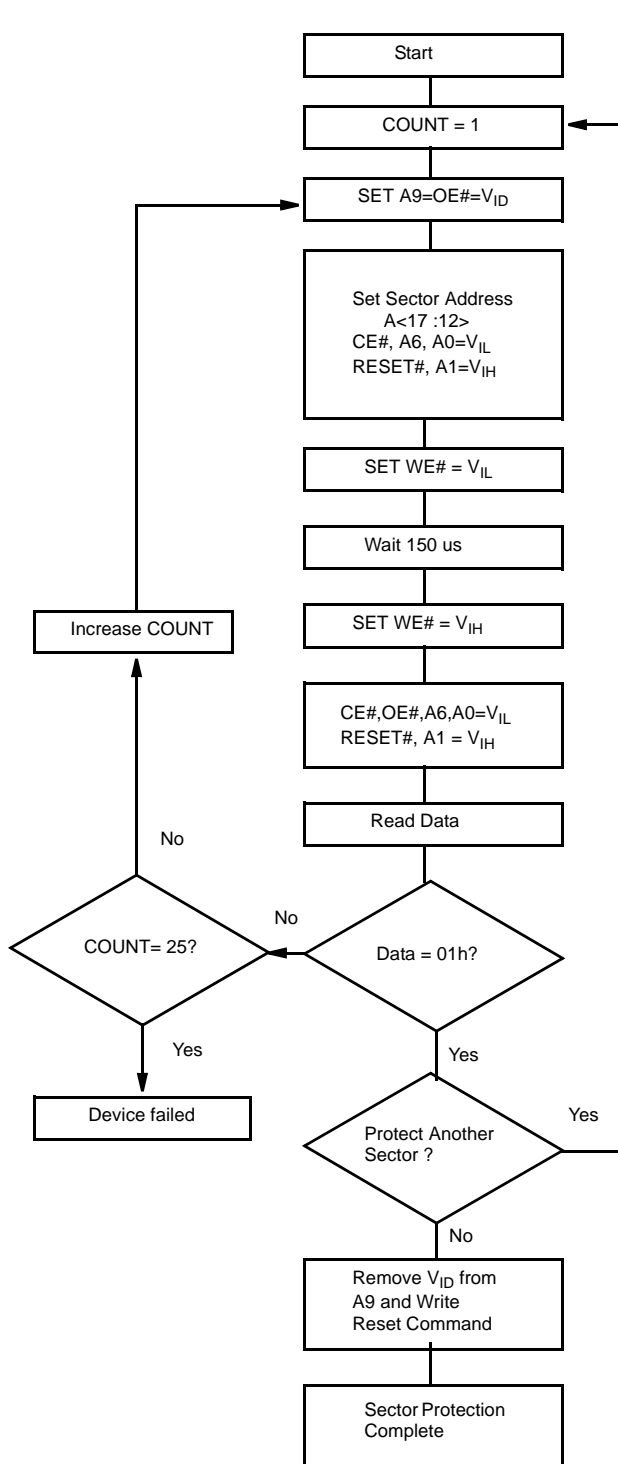


**Figure 2. In-System Sector Protect Algorithm**

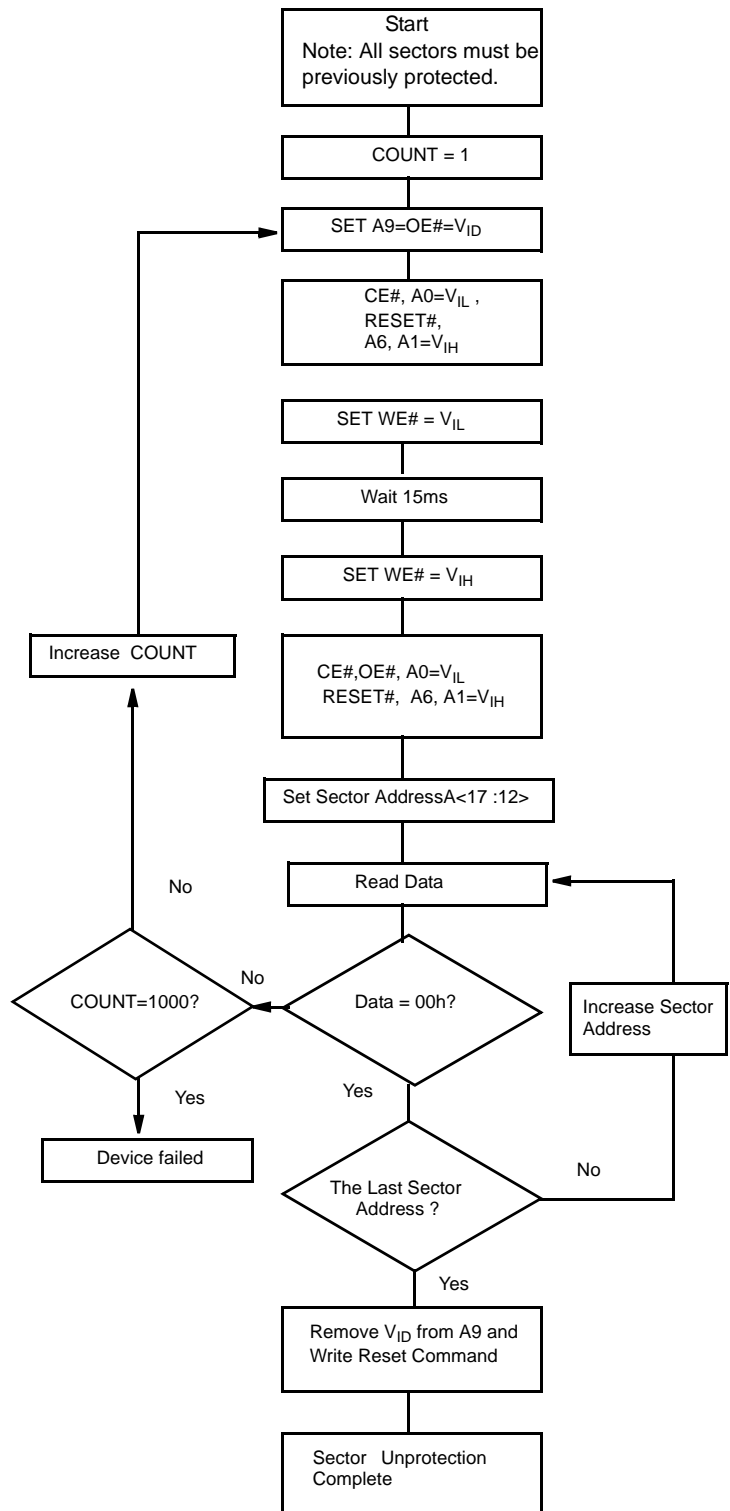


**Figure 3. In-System Sector Unprotect Algorithm**

## A9 High-Voltage Method



**Figure 4. Sector Protection Algorithm  
(A9 High-Voltage Method)**



**Figure 5. Sector Un-Protection Algorithm  
(A9 High-Voltage Method)**

## COMMAND DEFINITIONS

Writing specific address and data commands or sequences into the command register initiates device operations. Table 5 defines the valid register command sequences. Note that writing incorrect address and data values or writing them in the improper sequence may place the device in an unknown state. A reset command is required to return the device to normal operation.

All addresses are latched on the falling edge of WE# or CE#, whichever happens later. All data is latched on the rising edge of WE# or CE#, whichever happens first. Refer to the AC Characteristics section for timing diagrams.

### READING ARRAY DATA

The device is automatically set to reading array data after device power-up. No commands are required to retrieve data. The device is ready to read array data after completing an Embedded Program or Embedded Erase algorithm.

After the device accepts an Erase Suspend command, the device enters the erase-suspend-read mode, after which the system can read data from any non-erase-suspended sector. After completing a programming operation in the Erase Suspend mode, the system may once again read array data with the same exception. See the Erase Suspend/Erased Resume Commands section for more information.

The system must issue the reset command to return the device to the read (or erase-suspend-read) mode if DQ5 goes high during an active program or erase operation, or if the device is in the autoselect mode. See the next section, Reset Command, for more information.

See also Requirements for Reading Array Data in

the Device Bus Operations section for more information. The Read-Only Operations table provides the read parameters, and Fig. 16 shows the timing diagram

### RESET COMMAND

Writing the reset command resets the device to the read or erase-suspend-read mode. Address bits are don't cares for this command.

The reset command may be written between the sequence cycles in an erase command sequence before erasing begins. This resets the device to which the system was writing to the read mode. Once erasure begins, however, the device ignores reset commands until the operation is complete.

The reset command may be written between the sequence cycles in a program command sequence before programming begins. This resets the device to which the system was writing to the read mode. If the program command sequence is written to a sector that is in the Erase Suspend mode, writing the reset command returns the device to the erase-suspend-read mode. Once programming begins, however, the device ignores reset commands until the operation is complete.

The reset command may be written between the sequence cycles in an autoselect command sequence. Once in the autoselect mode, the reset command must be written to return to the read mode. If the device entered the autoselect mode while in the Erase Suspend mode, writing the reset command returns the device to the erase-suspend-read mode.

If DQ5 goes high during a program or erase operation, writing the reset command returns the device to the read mode (or erase-suspend-read mode if the device was in Erase-Suspend).

## Command Definitions

**Table 5. ES29LV400 Command Definitions**

Command Sequence (Note 1)			Cycles	Bus Cycles (Notes 2-5)													
				First		Second		Third		Fourth		Fifth		Sixth			
				Addr	Data	Addr	Data	Addr	Data	Addr	Data	Addr	Data	Addr	Data		
Read (Note 6)			1	RA	RD												
Reset (Note 7)			1	XXX	F0												
Autoselect (Note 8)	Manufacturer ID	Word	4	555	AA	2AA	55	555	90	X00	4A						
		Byte	4	AAA		555		AAA									
	Device ID (Top)	Word	4	555	AA	2AA	55	555	90	X01	B9						
		Byte	4	AAA		555		AAA		X02							
	Device ID (Bottom)	Word	4	555	AA	2AA	55	555	90	X01	BA						
		Byte	4	AAA		555		AAA		X02							
	Sector Protect Verify (Note 9)	Word	4	555	AA	2AA	55	555	90	(SA)X02	00/01						
		Byte	4	AAA		555		AAA		(SA)X04							
Program	Word	4	555	AA	2AA	55	555	A0	PA	PD							
	Byte	4	AAA		555		AAA										
Unlock Bypass	Word	3	555	AA	2AA	55	555	20									
	Byte	3	AAA		555		AAA										
Unlock Bypass Program (Note 10)			2	XXX	A0	PA	PD										
Unlock Bypass Reset (Note 11)			2	XXX	90	XXX	00										
Chip Erase	Word	6	555	AA	2AA	55	555	80	555	AA	2AA	55	555	10			
	Byte	6	AAA		555		AAA		AAA		555		AAA				
Sector Erase	Word	6	555	AA	2AA	55	555	80	555	AA	2AA	55	SA	30			
	Byte	6	AAA		555		AAA		AAA		555						
Erase Suspend (Note 12)			1	XXX	B0												
Erase Resume (Note 13)			1	XXX	30												

### Legend:

X = Don't care

RA = Address of the memory location to be read.

RD = Data read from location RA during read operation

PA = Address of the memory location to be programmed.

Addresses latch on the falling edge of the WE# or CE# pulse, whichever happens later.

PD = Data to be programmed at location PA. Data latches on the rising edge of WE# or CE# pulse, whichever happens first.

SA = Address of the sector to be verified (in autoselect mode) or erased. Address bits A17-A12 uniquely select any sector.

### Notes:

- See Table 1 for description of bus operations.
- All values are in hexadecimal.
- Except for the read cycle and the fourth cycle of the autoselect command sequence, all bus cycles are write cycles.
- Data bits DQ15-DQ8 are don't care in command sequences, except for RD and PD
- Unless otherwise noted, address bits A17-A11 are don't cares.
- No unlock or command cycles required when device is in read mode.
- The Reset command is required to return to the read mode (or to the erase-suspend-read mode if previously in Erase Suspend) when a device is in the autoselect mode, or if DQ5 goes high (while the device is providing status information).
- The fourth cycle of the autoselect command sequence is a read cycle. Data bits DQ15-DQ8 are don't care. See the Autoselect Command Sequence section for more information.
- The data is 00h for an unprotected sector and 01h for a protected sector.
- The Unlock Bypass command is required prior to the Unlock Bypass Program command.
- The Unlock Bypass Reset command is required to return to the read mode when the device is in the unlock bypass mode.
- The system may read and program in non-erasing sectors, or enter the autoselect mode, when in the Erase Suspend mode. The Erase Suspend command is valid only during a sector erase operation.
- The Erase Resume command is valid only during the Erase Suspend mode.

## AUTOSELECT COMMAND

The autoselect command sequence allows the host system to access the manufacturer and device codes, and determine whether or not a sector is protected, including information about factory-locked or customer lockable version.

Identifier Code	Address	Data
Manufacturer ID	00h	4Ah
Device ID	01h	B9h(T), BAh(B)
Sector Protect Verify	(SA)02h	00 / 01

Table 5 shows the address and data requirements. This method is an alternative to "A9 high-voltage method" shown in Table 2, which is intended for PROM programmers and requires  $V_{ID}$  on address pin A9. The autoselect command sequence may be written to an address within sector that is either in the read mode or erase-suspend-read mode. The auto-select command may not be written while the device is actively programming or erasing. The autoselect command sequence is initiated by first writing two unlock cycles. This is followed by a third write cycle that contains the autoselect command. The device then enters the autoselect mode. The system may read at any address any number of times without initiating another autoselect command sequence.

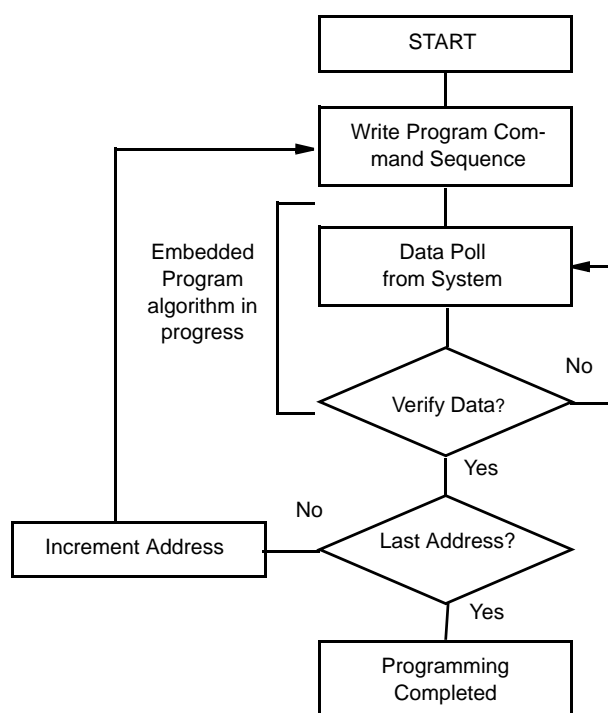
Once after the device enters the auto-select mode, the manufacture ID code ( 4Ah ) can be accessed by one of two ways. Just one read cycle ( with A6, A1 and A0 = 0 ) can be used. Or four consecutive read cycles ( with A6 = 1 and A1, A0 = 0 ) for continuation codes ( 7Fh ) and then another last cycle for the code ( 4Ah ) ( with A6, A1 and A0 = 0 ) can be used for reading the manufacturer code.

- 4Ah (One-cycle read)
- 7Fh 7Fh 7Fh 7Fh 4Ah (Five-cycle read)

The system must write the reset command to return to the read mode (or erase-suspend-read mode if the device was previously in Erase Suspend).

## BYTE / WORD PROGRAM

The system may program the device by word or byte, depending on the state of the **BYTE# pin**. Programming is a four-bus-cycle operation. The program command sequence is initiated by writing two unlock write cycles, followed by the program set-up command. The program address and data are written next, which in turn initiate the Embedded Program algorithm. The system is not required to provide further controls or timings. The device automatically provides internally generated program pulses and verifies the programmed cell margin. Table 5 shows the address and data requirements for the byte program command sequence. Note that the autoselect is unavailable while a programming operation is in progress.



**Note:** See Table 5 for program command sequence

**Figure 6. Program Operation**



## Program Status Bits : DQ7, DQ6 or RY/BY#

When the Embedded Program algorithm is complete, the device then returns to the read mode and addresses are no longer latched. The system can determine the status of the program operation by using DQ7, DQ6, or RY/BY#. Refer to the Write Operation Status section Table 6 for information on these status bits.

## Any Commands Ignored during Programming Operation

Any commands written to the device during the Embedded Program algorithm are ignored. Note that a hardware reset can immediately terminates the program operation. The program command sequence should be reinitiated once the device has returned to the read mode, to ensure data integrity.

## Programming from “0” back to “1”

Programming is allowed in any sequence and across sector boundaries. But a bit cannot be programmed from “0” back to a “1”. Attempting to do so may cause the device to set DQ5 = 1, or cause the DQ7 and DQ6 status bits to indicate the operation was successful. However, a succeeding read will show that the data is still “0”. Only erase operations can convert a “0” to a “1”

## Unlock Bypass

In the ES29LV400 device, an unlock bypass program mode is provided for faster programming operation. In this mode, two cycles of program command sequences can be saved. To enter this mode, an unlock bypass enter command should be first written to the system. The unlock bypass enter command sequence is initiated by first writing two unlock cycles. This is followed by a third write cycle containing the unlock bypass command, 20h. The device then enters the unlock-bypass program mode. A two-cycle unlock bypass program command sequence is all that is required to program in this mode. The first cycle in this sequence contains the unlock bypass program set-up command, A0h; the second cycle contains the program address and data. Additional data is programmed in the same manner. This mode dispenses with the initial two unlock cycles required in the standard program command sequence, resulting in faster total programming time. Table 5 shows the requirements for the command sequence.

During the unlock-bypass mode, only the unlock-bypass program and unlock-bypass reset commands are valid. To exit the unlock-bypass mode, the system must issue the two-cycle unlock-bypass reset command sequence. The first cycle must contain the data 90h. The second cycle need to only contain the data 00h. The device then returns to the read mode.

- Unlock Bypass Enter Command
- Unlock Bypass Reset Command
- Unlock Bypass Program Command

## CHIP ERASE COMMAND

To erase the entire memory, a chip erase command is used. This command is a six bus cycle operation. The chip erase command sequence is initiated by writing two unlock cycles, followed by a set-up command. Two additional unlock write cycles are then followed by the chip erase command, which in turn invokes the Embedded Erase algorithm. The chip erase command erases the entire memory including all other sectors except the protected sectors, but the internal erase operation is performed on a single sector base.

## Embedded Erase Algorithm

The device does not require the system to preprogram prior to erase. The Embedded Erase algorithm automatically preprograms and verifies the entire memory for an all zero data pattern prior to electrical erase. The system is not required to provide any controls or timings during these operations. Table 5 shows the address and data requirements for the chip erase command sequence. Note that the autoselect is unavailable while an erase operation is in progress

## Erase Status Bits : DQ7, DQ6, DQ2, or RY/BY#

When the Embedded Erase algorithm is complete, the device returns to the read mode and addresses are no longer latched. The system can determine the status of the erase operation by using DQ7, DQ6, DQ2, or RY/BY#. Refer to the Write Operation Status section Table 6 for information on these status bits.

## Commands Ignored during Erase Operation

Any command written during the chip erase operation are ignored. However, note that a hardware

reset immediately terminates the erase operation. If that occurs, the chip erase command sequence should be reinitiated once the device has returned to reading array data, to ensure data integrity. Fig. 7 illustrates the algorithm for the erase operation. Refer to the Erase and Program Operations tables in the AC Characteristics section for parameters, and Fig. 21 section for timing diagrams.

## SECTOR ERASE COMMAND

By using a sector erase command, a single sector or multiple sectors can be erased. The sector erase command is a six bus cycle operation. The sector erase command sequence is initiated by writing two unlock cycles, followed by a set-up command. Two additional unlock cycles are written, and are then followed by the address of the sector to be erased, and the sector erase command. Table 5 shows the address and data requirements for the sector erase command sequence. Note that the autoselect is unavailable while an erase operation is in progress.

### Embedded Sector Erase Algorithm

The device does not require the system to preprogram prior to erase. The Embedded Erase algorithm automatically programs and verifies the entire memory for an all zero data pattern prior to electrical erase. The system is not required to provide any controls or timings these operations.

### Sector Erase Time-out Window and DQ3

After the command sequence is written, a sector erase time-out of **50us** occurs. During the time-out period, additional sector addresses and sector erase commands may be written. Loading the sector erase buffer may be done in any sequence, and the number of sectors may be from one sector to all sectors. The time between these additional cycles must be less than 50 us, otherwise the last address and command may not be accepted, and erasure may begin. It is recommended that processor interrupts be disabled during this time to ensure all commands are accepted. The interrupts can be re-enabled after the last Sector Erase command is written. The system can monitor **DQ3** to determine if the sector erase timer has timed out (See the section on DQ3:Sector Erase Timer.). The time-out begins from the rising edge of the final WE# pulse in the command sequence.

Any command other than Sector Erase or Erase Suspend during the time-out period resets the device

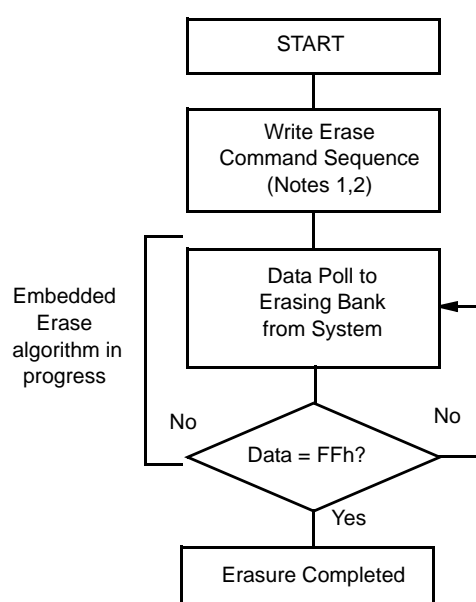
to the read mode. The system must rewrite the command sequence and any additional addresses and commands.

### Status Bits : DQ7,DQ6,DQ2, or RY/BY#

When the Sector Erase Embedded Erase algorithm is complete, the device returns to reading array data and addresses are no longer latched. Note that while the Embedded Erase operation is in progress, the system can read data from the non-erasing sector. The system can determine the status of the erase operation by reading DQ7,DQ6,DQ2, or RY/BY# in the erasing sector. Refer to the Write Operation Status section Table 6 for information on these status bits.

### Valid Command during Sector Erase

Once the sector erase operation has begun, only the Erase Suspend command is valid. All other commands are ignored. However, note that a **hardware reset** immediately terminates the erase operation. If that occurs, the sector erase command



#### Notes:

1. See Table 5 for erase command sequence
2. See the section on DQ3 for information on the sector erase timer

**Figure 7. Erase Operation**

sequence should be reinitiated once the device has returned to reading array data, to ensure data integrity.

Fig. 7 illustrates the algorithm for the erase operation. Refer to the Erase and Program Operations tables in the AC Characteristics section for parameters, and Fig. 21 section for timing diagrams.

## ERASE SUSPEND/ERASE RESUME

An erase operation is a long-time operation so that two useful commands are provided in the ES29LV400 device Erase Suspend and Erase Resume Commands. Through the two commands, erase operation can be suspended for a while and the suspended operation can be resumed later when it is required. While the erase is suspended, read or program operations can be performed by the system.

### Erase Suspend Command, (B0h)

The Erase Suspend command, B0h, allows the system to interrupt a sector erase operation and then read data from, or program data to, any sector not selected for erasure. This command is valid only during the sector erase operation, including the **50us time-out** period during the sector erase command sequence. The Erase Suspend command is ignored if written during the chip erase operation or Embedded Program algorithm. When the Erase Suspend command is written during the sector erase operation, the device requires a maximum of **20us** to suspend the erase operation. However, when the Erase Suspend command is written during the sector erase time-out, the device immediately terminates the time-out period and suspends the erase operation.

### Read and Program during Erase-Suspend-Read Mode

After the erase operation has been suspended, the device enters the erase-suspend-read mode. The system can read data from or program data to any sector not selected for erasure. (The device “erase suspends” all sectors selected for erasure.)

Reading at any address within erase-suspended sectors produces status information on DQ7-DQ0. The system can use DQ7, or DQ6 and DQ2 together, to determine if a sector is actively erasing or is erase-suspended. Refer to the Write Operation Status section for information on these status bits (Table 6).

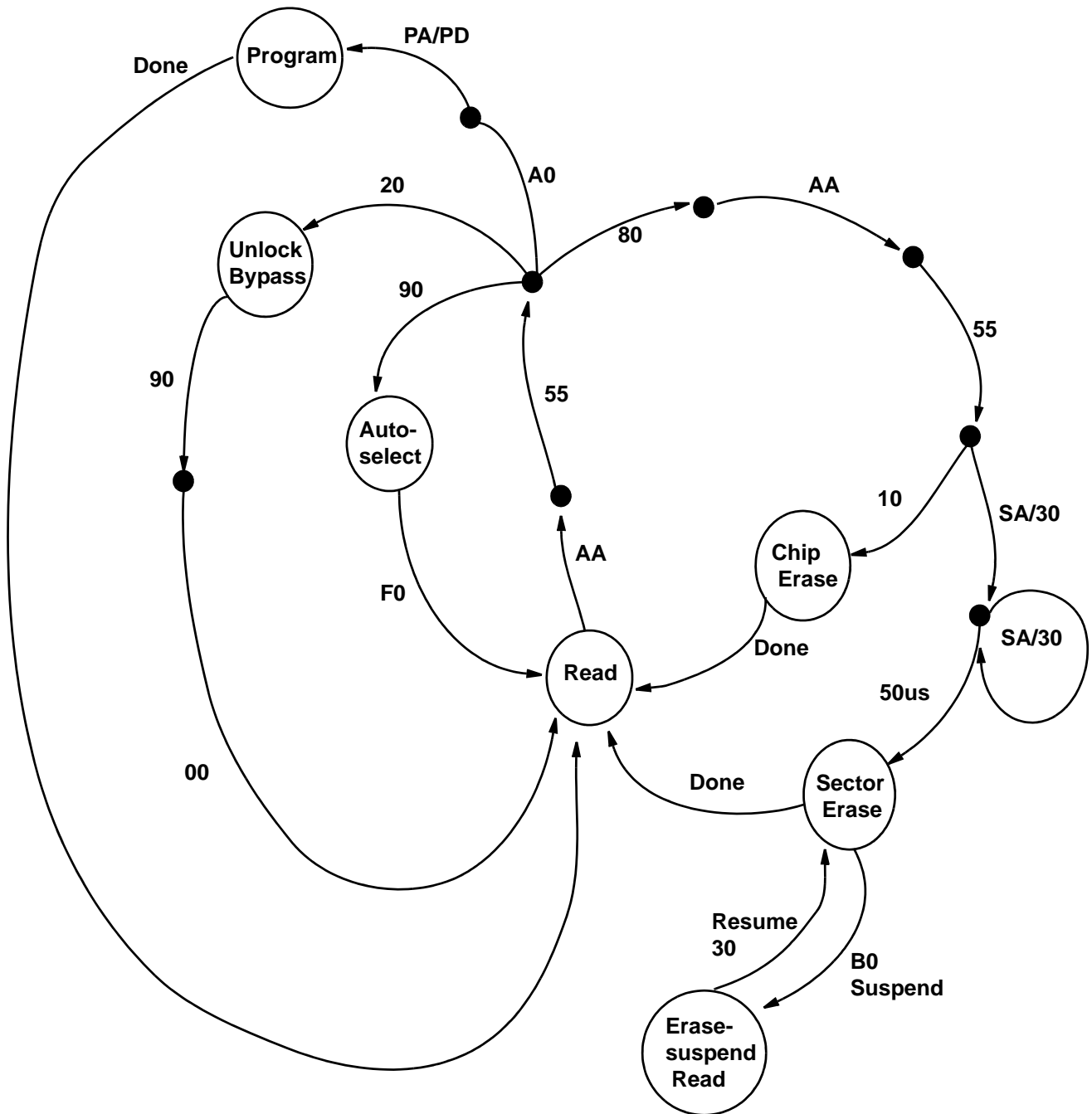
After an erase-suspended program operation is complete, the device returns to the erase-suspend-read mode. The system can determine the status for the program operation using the DQ7 or DQ6 status bits, just as in the standard Byte Program operation. Refer to the Write Operation Status section for more information.

### Autoselect during Erase-Suspend- Read Mode

In the erase-suspend-read mode, the system can also issue the autoselected command sequence. Refer to the Autoselect Mode and Autoselect Command Sequence section for details (Table 5).

### Erase Resume Command

To resume the sector erase operation, the system must write the Erase Resume command. Further writes of the Resume command are ignored. Another Erase Suspend command can be written after the chip has resumed erasing.

**COMMAND DIAGRAM**

**Figure 8. Command Diagram**

## WRITE OPERATION STATUS

In the ES29LV400 device, several bits are provided to determine the status of a program or erase operation: DQ2, DQ3, DQ5, DQ6, DQ7 and RY/BY#. Table 6 and the following subsections describe the function of these bits. DQ7 and DQ6 each offer a method for determining whether a program or erase operation is complete or in progress. The device also provides a hardware-based output signal, RY/BY#, to determine whether an Embedded Program or Erase operation is in progress or has been completed.

### DQ7 (DATA# POLLING)

The Data# Polling bit, DQ7, indicates to the host system whether an Embedded Program or Erase algorithm is in progress or completed, or whether a device is in Erase Suspend. Data# Polling is valid after the rising edge of the final WE# pulse in the command sequence.

#### During Programming

During the Embedded Program algorithm, the device outputs on DQ7 the **complement** of the datum programmed to DQ7. This DQ7 status also applies to programming during Erase Suspend. When the Embedded Program algorithm is complete, the device outputs the datum programmed to DQ7. The system must provide the program address to read valid status information on DQ7. If a program address falls within a **protected sector**, Data# Polling on DQ7 is active for approximately **250ns**, then the device returns to the read mode.

#### During Erase

During the Embedded Erase algorithm, Data# Polling produces a **“0” on DQ7**. When the Embedded

Erase algorithm is complete, or if the device enters the Erase Suspend mode, Data# polling produces a **“1” on DQ7**. The system must provide an address within any of the sectors selected for erasure to read valid status information on DQ7.

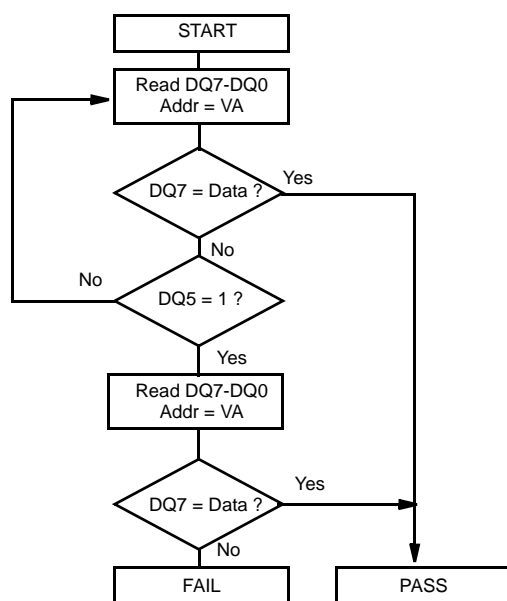
#### Erase on the Protected Sectors

After an erase command sequence is written, if all sectors selected for erasing are protected, Data# Polling on DQ7 is active for approximately **1.8us**, then the device returns to the read mode. If not all selected sectors are protected, the Embedded Erase algorithm erases the unprotected sectors, and ignores the selected sectors that are protected. However, if the system reads DQ7 at an address within a protected sector, the status may not be valid.

#### Data# Polling Algorithm

Just prior to the completion of an Embedded Program or Erase operation, DQ7 may change asynchronously with DQ0-DQ6 while Output Enable(OE#) is asserted low. That is, this device may change from providing status information to valid data on DQ7. Depending on when the system samples the DQ7 output, it may read the status or valid data. Even if the device has completed the program or erase operation and DQ7 has valid data, the data outputs on DQ0-DQ7 will appear on successive read cycles.

Table 6 shows the outputs for Data# Polling on DQ7. Fig. 9 shows the Data# Polling algorithm. Fig. 22 in the AC Characteristics section shows the Data# Polling timing diagram.



#### Notes:

1. VA = Valid address for programming. During a sector erase operation, a valid address is any sector address within the sector being erased. During chip erase, a valid address in any non-protected sector address.
2. DQ7 should be rechecked even if DQ5 = "1" because DQ7 may change simultaneously with DQ5

**Figure 9. Data# Polling Algorithm**

## RY/BY# ( READY/BUSY# )

The RY/BY# is a dedicated, open-drain output pin which indicates whether an Embedded Algorithm is in progress or complete. The RY/BY# status is valid after the rising edge of the final WE# pulse in the command sequence. Since RY/BY# is an open-drain output, several RY/BY# pins can be tied together in parallel with a pull-up resistor to Vcc. If the output is low (Busy), the device is actively erasing or programming. (This includes programming in the Erase Suspend mode.) If the output is high (Ready), the device is in the read mode, the standby mode, or in the erase-suspend-read mode. Table 6 shows the outputs for RY/BY#.

## DQ6 ( TOGGLE BIT I )

Toggle Bit I on DQ6 indicates whether an Embedded Program or Erase algorithm is in progress or complete, or whether the device has entered the

Erase Suspend mode. Toggle Bit I may be read at any address, and is valid after the rising edge of the final WE# pulse in the command sequence ( prior to the program or erase operation), and during the sector erase time-out. During an Embedded Program or Erase algorithm operation, successive read cycles to any address cause DQ6 to toggle. The system may use either OE# or CE# to control the read cycles. When the operation is complete, DQ6 stops toggling.

The system can use DQ6 and DQ2 together to determine whether a sector is actively erasing or is erase-suspended. When the device is actively erasing (that is, the Embedded Erase algorithm is in progress), DQ6 toggles. When the device enters the Erase Suspend mode, DQ6 stops toggling. However, the system must also use DQ2 to determine which sectors are erasing or erase-suspended. Alternatively, the system can use DQ7(see the subsection on DQ7:Data# Polling). DQ6 also toggles during the erase-suspend-program mode, and stops toggling once the Embedded Program algorithm is complete.

Table 6 shows the outputs for Toggle Bit I on DQ6. Fig. 10 shows the toggle bit algorithm. Fig. 23 in the "AC Characteristics" section shows the toggle bit timing diagrams. Fig. 24 shows the differences between DQ2 and DQ6 in graphical form. See also the subsection on DQ2 : (Toggle Bit II).

## Toggling on the Protected Sectors

After an erase command sequence is written, if all sectors selected for erasing are protected, DQ6 toggles for approximately **1.8us**, then returns to reading array data. If not all selected sectors are protected, the Embedded Erase algorithm erases the unprotected sectors, and ignores the selected sectors that are protected. If a program address falls within a protected sector, DQ6 toggles for approximately **250ns** after the program command sequence is written, then returns to reading array data.

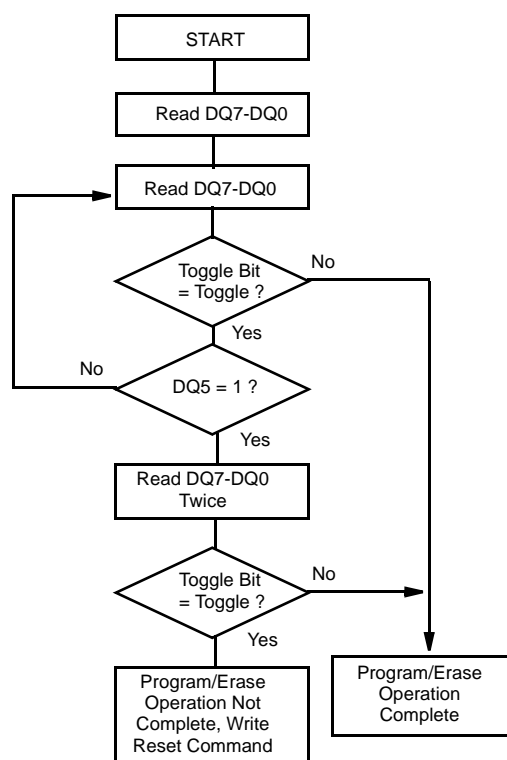
## DQ2 ( TOGGLE BIT II )

The "Toggle Bit II" on DQ2, when used with DQ6, indicates whether a particular sector is actively erasing (that is, the Embedded Erase algorithm is in progress), or whether that sector is erase-suspended. Toggle Bit II is valid after the rising edge of the final WE# pulse in the command sequence DQ2

toggles when the system reads at addresses within those sectors that have been **selected for erasure**. (The system may use either OE# or CE# to control the read cycles.) But DQ2 cannot distinguish whether the sector is actively erasing or is erase-suspended. DQ6, by comparison, indicates whether the device is actively erasing, or is in Erase Suspend, but cannot distinguish which sectors are selected for erasure. Thus, both status bits are required for sector and mode information. Refer to Table 6 to compare outputs for DQ2 and DQ6. Fig. 10 shows the toggle bit algorithm in flowchart form, and the section “DQ2: Toggle Bit II” explains the algorithm. See also the DQ6: Toggle Bit I subsection. Fig. 23 shows the toggle bit timing diagram. Fig. 24 shows how differently DQ2 operates compared with DQ6.

### Reading Toggle Bits DQ6/DQ2

Refer to Fig. 10 for the following discussion. Whenever the system initially begins reading toggle bit status, it must read DQ7-DQ0 at least twice in a row to determine whether a toggle bit is toggling. Typically, the system would note and store the value of the toggle bit after the first read. After the second read, the system would compare the new value of the toggle bit with the first. If the toggle bit is not toggling, the device has completed the program or erase operation. The system can read array data on DQ7-DQ0 on the following read cycle. However, if after the initial two read cycles, the system determines that the toggle bit is still toggling, the system also should note whether the value of DQ5 is high (see the section on DQ5). If it is, the system should then determine again whether the toggle bit is toggling, since the toggle bit may have stopped toggling just as DQ5 went high. If the toggle bit is no longer toggling, the device has successfully completed the program or erase operation. If it is still toggling, the device did not completed the operation successfully, and the system must write the reset command to return to reading array data. The remaining scenario is that the system initially determines that the toggle bit is toggling and DQ5 has not gone high. The system may continue to monitor the toggle bit and DQ5 through successive read cycles, determining the status as described in the previous paragraph. Alternatively, it may choose to perform other system tasks. In this case, this system must start at the beginning of the algorithm when it returns to determine the status of the operation (top of Fig. 10).



#### Note:

The system should recheck the toggle bit even if DQ5 = “1” because the toggle bit may stop toggling as DQ5 changes to “1”. See the subsections on DQ6 and DQ2 for more information.

**Figure 10. Toggle Bit Algorithm**

## DQ5 ( EXCEEDED TIMING LIMITS )

DQ5 indicates whether the program or erase time has exceeded a specified internal pulse count limit. Under these conditions DQ5 produces a “1”, indicating that the program or erase cycle was not successfully completed. The device may output a “1” on DQ5 if the system tries to program a “1” to a location that was previously programmed to “0”. Only an erase operation can change a “0” back to a “1”. Under this condition, the device halts the operation, and when the timing limit has been exceeded, DQ5 produces a “1”. Under both these conditions, the system must write the reset command to return to the read mode.

## DQ3 ( SECTOR ERASE TIMER )

After writing a sector erase command sequence, the system may read DQ3 to determine whether or not erasure has begun. (The sector erase time does not apply to the chip erase command.) If additional sectors are selected for erasure, the entire

time-out also applies after each additional sector erase command. When the time-out period is complete, DQ3 switches from a “0” to a “1”. If the time between additional sector erase commands from the system can be assumed to be less than **50us**, the system need not monitor DQ3. See also the Sector Erase Command Sequence section. After the sector erase command is written, the system should read the status of DQ7 (Data# Polling) or DQ6 (Toggle Bit I) to ensure that the device has accepted the command sequence, and then read DQ3. If DQ3 is “1”, the Embedded Erase algorithm has begun; all further commands (except Erase Suspend) are ignored until the erasure operation is complete. If DQ3 is “0”, the device will accept additional sector erase commands. To ensure the command has been accepted, the system software should check the status of DQ3 prior to and following each subsequent sector erase command. If DQ3 is high on the second status check, the last command might not have been accepted. In Table 6, DQ3 status operation is well defined and summarized with other status bits, DQ7, DQ6, DQ5, and DQ2.

**Table 6. Write Operation Status**

Status		DQ7 (Note 2)	DQ6	DQ5 (Note 1)	DQ3	DQ2 (Note 2)	RY/ BY#	
Standard Mode	Embedded Program Algorithm	DQ7#	Toggle	0	N/A	No toggle	0	
	Embedded Erase Algorithm	0	Toggle	0	1	Toggle	0	
Erase Suspend Mode	Erase-Suspend-Read	Erase Suspended Sector	1	No toggle	0	N/A	Toggle	1
		Non-Erase Suspended Sector	Data	Data	Data	Data	Data	1
	Erase-Suspend-Program	DQ7#	Toggle	0	N/A	N/A	0	

### Notes :

1. DQ5 switches to “1” when an Embedded Program or Embedded Erase operation has exceeded the maximum timing limits. Refer to the section on DQ5 for more information.
2. DQ7 and DQ2 require a valid address when reading status information. Refer to the appropriate subsection for further details.



## ABSOLUTE MAXIMUM RATINGS

### Storage Temperature

Plastic Packages .....-65°C to +150°C

### Ambient Temperature

with Power Applied .....-65°C to +125°C

### Voltage with Respect to Ground

V<sub>cc</sub> (Note 1) .....-0.5V to +4.0V

A9, OE# and RESET# (Note 2) .....-0.5V to +12.5V

All other pins (Note 1) .....-0.5V to V<sub>cc</sub> + 0.5V

Output Short Circuit Current (Note 3) ..... 200 mA

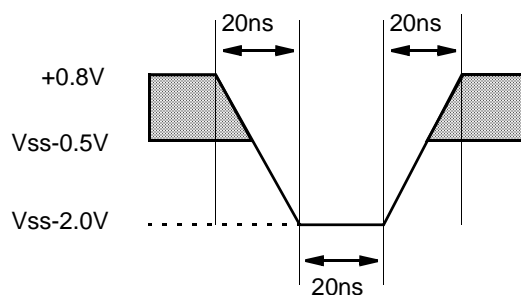
### Notes:

1. Minimum DC voltage on input or I/O pins is -0.5V. During voltage transitions, input or I/O pins may overshoot V<sub>ss</sub> to -2.0V for periods of up to 20ns. Maximum DC voltage on input or I/O pins is V<sub>cc</sub>+0.5V. See Fig. 11. During voltage transition, input or I/O pins may overshoot to V<sub>cc</sub>+2.0V for periods up to 20ns. See Fig. 11.

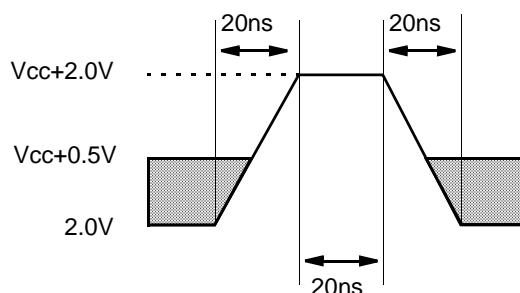
2. Minimum DC input voltage on pins A9, OE# and RESET# is -0.5V. During voltage transitions, A9, OE# and RESET# may overshoot V<sub>ss</sub> to -2.0V for periods of up to 20ns. See Fig. 11. Maximum DC input voltage on pin A9 is +12.5V which may overshoot to +14.0V for periods up to 20ns.

3. No more than one output may be shorted to ground at a time. Duration of the short circuit should not be greater than one second.

Stresses above those listed under "Absolute Maximum Ratings" may cause permanent damage to the device. This is a stress rating only; functional operation of the device at these or any other conditions above those indicated in the operational sections of this datasheet is not implied. Exposure of the device to absolute maximum rating conditions for extended periods may affect device reliability.



**Negative Overshoot**



**Positive Overshoot**

**Figure 11. Maximum Overshoot Waveform**

## OPERATING RANGES

### Industrial (I) Devices

Ambient Temperature (T<sub>A</sub>).....-40°C to +85°C

### Commercial Devices

Ambient Temperature (T<sub>A</sub>).....0°C to +70°C

### V<sub>cc</sub> Supply Voltages

V<sub>cc</sub> for all devices .....2.7V to 3.6V

V<sub>cc</sub> for regulated voltage range .....3.0V to 3.6V

Operating ranges define those limits between which the functionality of the device is guaranteed.

## DC CHARACTERISTICS

**Table 7. CMOS Compatible**

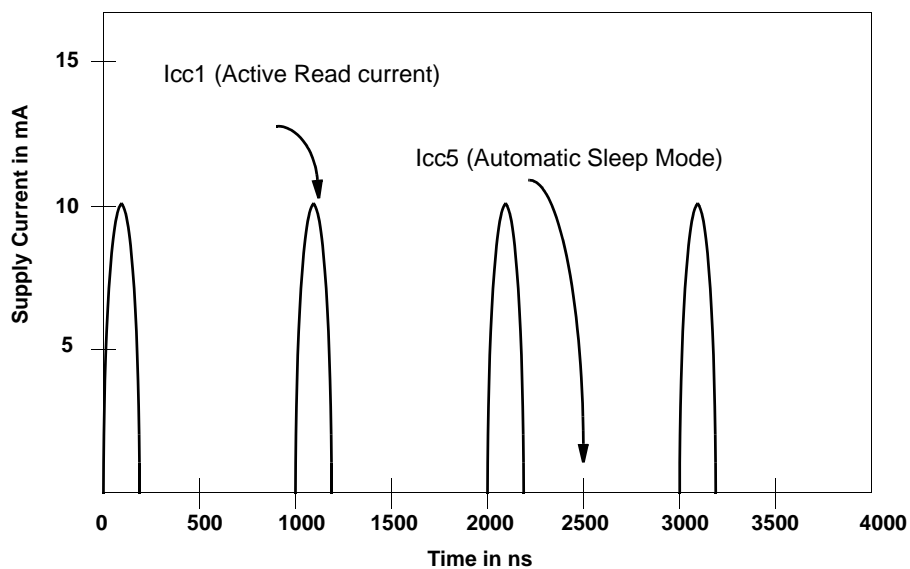
Parameter Symbol	Parameter Description	Test Conditions	Min	Typ	Max	Unit
$I_{LI}$	Input Load Current	$V_{IN}=V_{SS}$ to $V_{CC}$ $V_{CC}=V_{CC}$ max			$\pm 1.0$	$\mu A$
$I_{LIT}$	A9 Input Load Current	$V_{CC}=V_{CC}$ max; A9=12.5V			35	$\mu A$
$I_{LR}$	RESET# Input Load Current	$V_{CC}=V_{CC}$ max; RESET#=12.5V			35	$\mu A$
$I_{LO}$	Output Leakage Current	$V_{out}=V_{SS}$ to $V_{CC}$ , $V_{CC}=V_{CC}$ max			$\pm 1.0$	$\mu A$
$I_{CC1}$	Vcc Active Read Current (Notes 1,2)	CE#=V <sub>IL</sub> , OE#=V <sub>IH</sub> , Byte mode	5MHz	7	12	mA
			1MHz	2	4	
		CE#=V <sub>IL</sub> , OE#=V <sub>IH</sub> , Word mode	5MHz	7	12	
			1MHz	2	4	
$I_{CC2}$	Vcc Active Write Current (Note 2,3)	CE#=V <sub>IL</sub> , OE#=V <sub>IH</sub> , WE#=V <sub>IL</sub>		15	30	mA
$I_{CC3}$	Vcc Standby Current (Note 2)	CE#, RESET#= $V_{CC}\pm 0.3V$		0.2	10	$\mu A$
$I_{CC4}$	Vcc Reset Current (Note 2)	RESET#=V <sub>SS</sub> $\pm 0.3V$		0.2	10	$\mu A$
$I_{CC5}$	Automatic Sleep Mode (Notes 2,4)	$V_{IH} = V_{CC} \pm 0.3V$ $V_{IL} = V_{SS} \pm 0.3V$		0.2	10	$\mu A$
$V_{IL}$	Input Low Voltage		-0.5		0.5	V
$V_{IH}$	Input High Voltage		$0.7 \times V_{CC}$		$V_{CC}+0.3$	V
$V_{ID}$	Voltage for Autoselect and Temporary Sector Unprotect	$V_{CC} = 3.0V \pm 10\%$	11.5		12.5	V
$V_{OL}$	Output Low Voltage	$I_{OL} = 4.0$ mA, $V_{CC} = V_{CC}$ min			0.45	V
$V_{OH1}$	Output High Voltage	$I_{OH} = -2.0$ mA, $V_{CC} = V_{CC}$ min	$0.85 V_{CC}$			V
$V_{OH2}$		$I_{OH} = -100$ $\mu A$ , $V_{CC} = V_{CC}$ min	$V_{CC} - 0.4$			
$V_{LKO}$	Low Vcc Lock-Out Voltage (Note 5)		2.3		2.5	V

**Notes:**

1. The  $I_{CC}$  current listed is typically less than 2 mA/MHz, with OE# at  $V_{IH}$ , **Typical condition : 25°C, Vcc = 3V**
2. Maximum  $I_{CC}$  specifications are tested with  $V_{CC} = V_{CC}$  max.
3.  $I_{CC}$  active while Embedded Erase or Embedded Program is in progress.
4. Automatic sleep mode enables the low power mode when addresses remain stable for  $t_{ACC} + 30ns$ . Typical sleep mode current is 200 nA.
5. Not 100% tested.

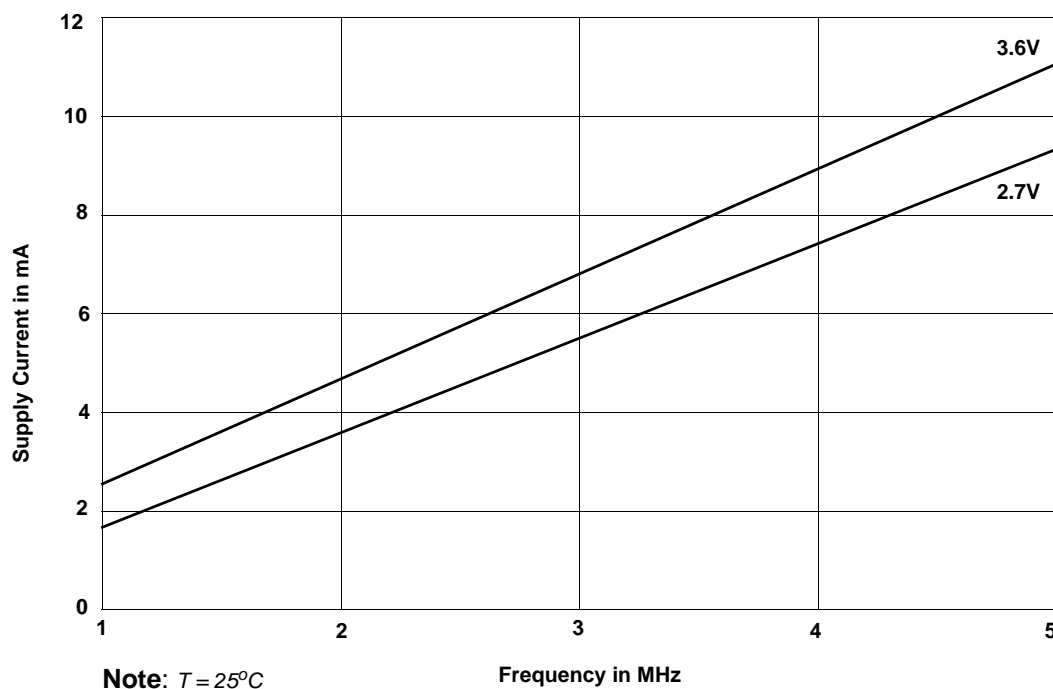
## DC CHARACTERISTICS

### Zero-Power Flash



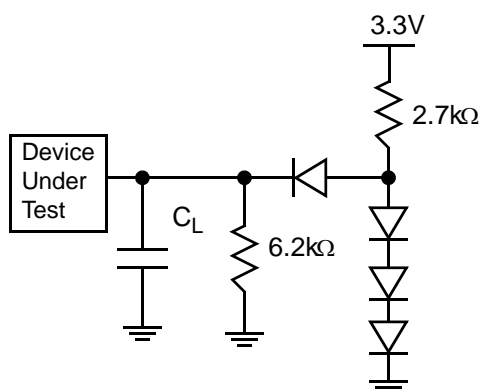
Note: Addresses are switching at 1 MHz

Figure 12.  $I_{cc1}$  Current vs. Time (Showing Active and Automatic Sleep Currents)



Note:  $T = 25^{\circ}C$

Figure 13. Typical  $I_{cc1}$  vs. Frequency


**Figure 14. Test Setup**

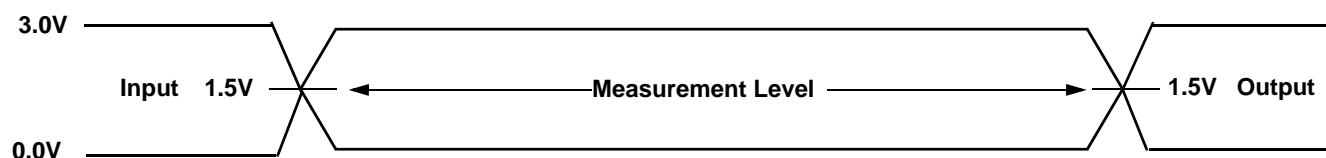
**Note:** Diodes are IN3064 or equivalent

**Table 8. Test Specifications**

Test Condition	70R	90, 120
Output Load	1TTL gate	
Output Load Capacitance, $C_L$ (including jig capacitance)	30 pF	100 pF
Input Rise and Fall Times	5 ns	
Input Pulse Levels	0.0 - 3.0 V	
Input timing measurement reference levels	1.5 V	
Output timing measurement reference levels	1.5 V	

### Key To Switching Waveforms

WAVEFORM	INPUTS	OUTPUTS
		Steady
		Changing from H to L
		Changing from L to H
	Don't Care, Any Change Permitted	Changing, State Unknown
	Does Not Apply	Center Line is High Impedance State (High Z)


**Figure 15. Input Waveforms and Measurement Levels**

## AC CHARACTERISTICS

### Table 9. Read-Only Operations

Parameter		Description	Test Setup		Speed Options			Unit
JEDEC	Std.				70R	90	120	
$t_{AVAV}$	$t_{RC}$	Read Cycle Time(Note 1)		Min	70	90	120	ns
$t_{AVQV}$	$t_{ACC}$	Address to Output Delay	CE#,OE#=V <sub>IL</sub>	Max	70	90	120	ns
$t_{ELQV}$	$t_{CE}$	Chip Enable to Output Delay	OE#=V <sub>IL</sub>	Max	70	90	120	ns
$t_{GLQV}$	$t_{OE}$	Output Enable to Output Delay		Max	30	35	50	ns
$t_{EHQZ}$	$t_{DF}$	Chip Enable to Output High Z (Note 1)		Max	16			ns
$t_{GHQZ}$	$t_{DF}$	Output Enable to Output High Z (Note 1)		Max	16			ns
$t_{AXQX}$	$t_{OH}$	Output Hold Time From Addresses, CE# or OE#, Whichever Occurs First		Min	0			ns
	$t_{OEh}$	Output Enable Hold Time (Note 1)	Read	Min	0			ns
			Toggle and Data# Polling	Min	10			ns

Note : 1. Not 100% tested

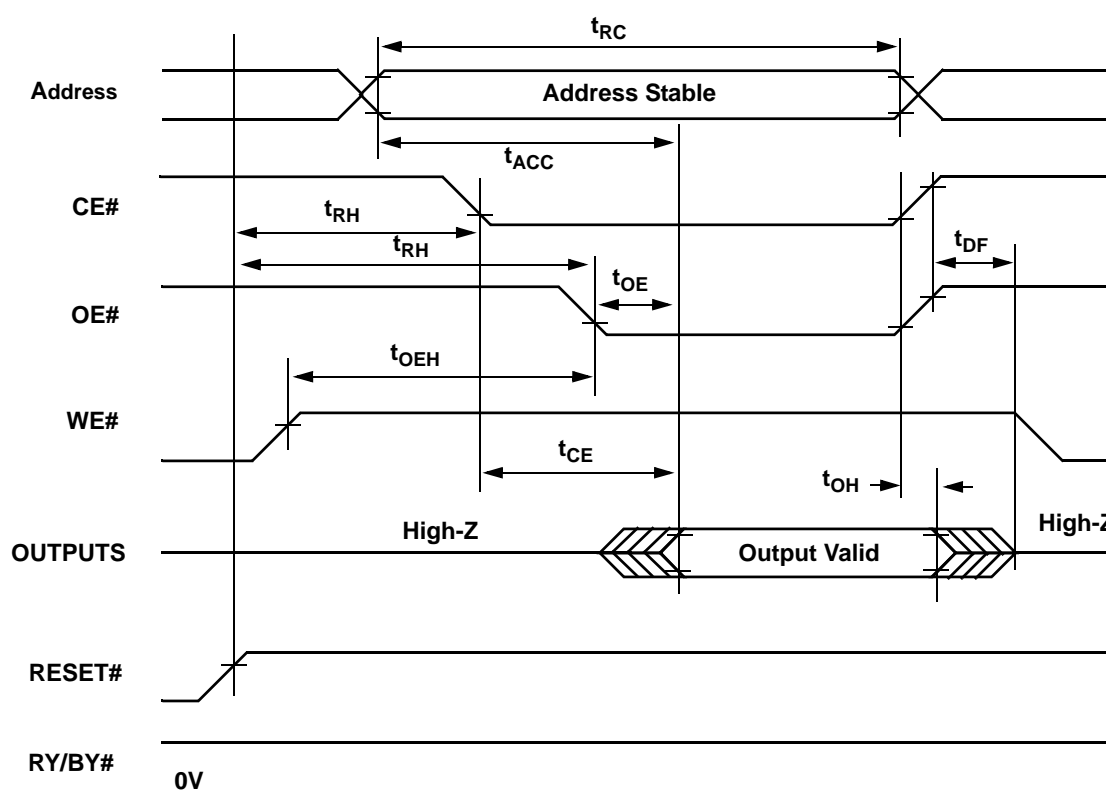


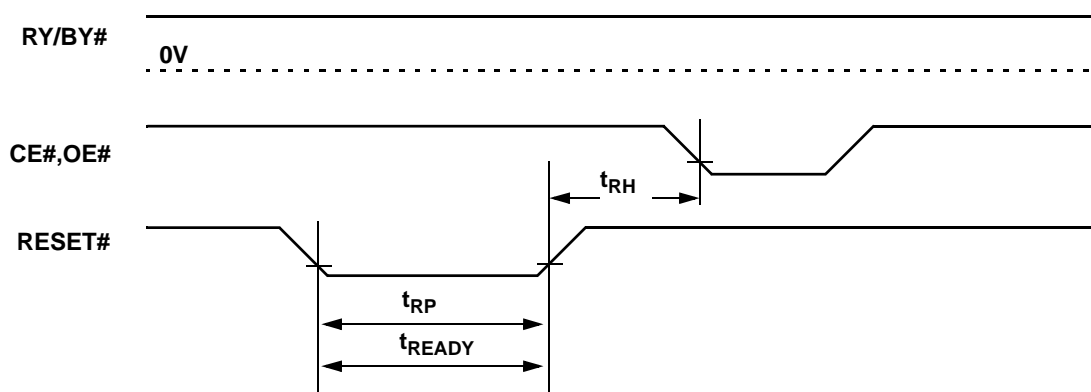
Figure 16. Read Operation Timings

## AC CHARACTERISTICS

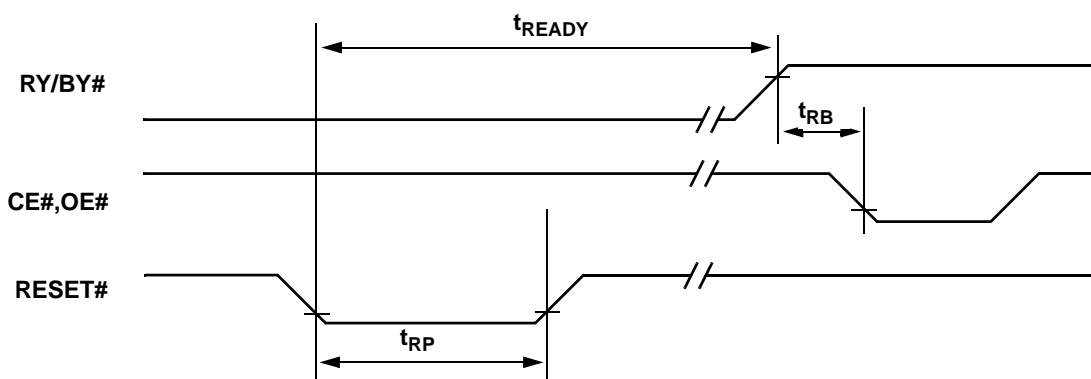
**Table 10. Hardware Reset ( RESET #)**

Parameter		Description		All Speed Options	Unit
JEDEC	Std.				
	$t_{Ready}$	RESET# Pin Low (During Embedded Algorithms) to Read Mode (See Note)	Max	20	us
	$t_{Ready}$	RESET# Pin Low (Not During Embedded Algorithms) to Read Mode (See Note)	Max	500	ns
	$t_{RP}$	RESET# Pulse Width	Min	500	ns
	$t_{RH}$	RESET# High Time Before Read (See Note)	Min	50	ns
	$t_{RPD}$	RESET# Low to Standby Mode	Min	20	us
	$t_{RB}$	RY/BY# Recovery Time	Min	0	ns

**Note :** Not 100% tested



**(A) Not During Embedded Algorithm**



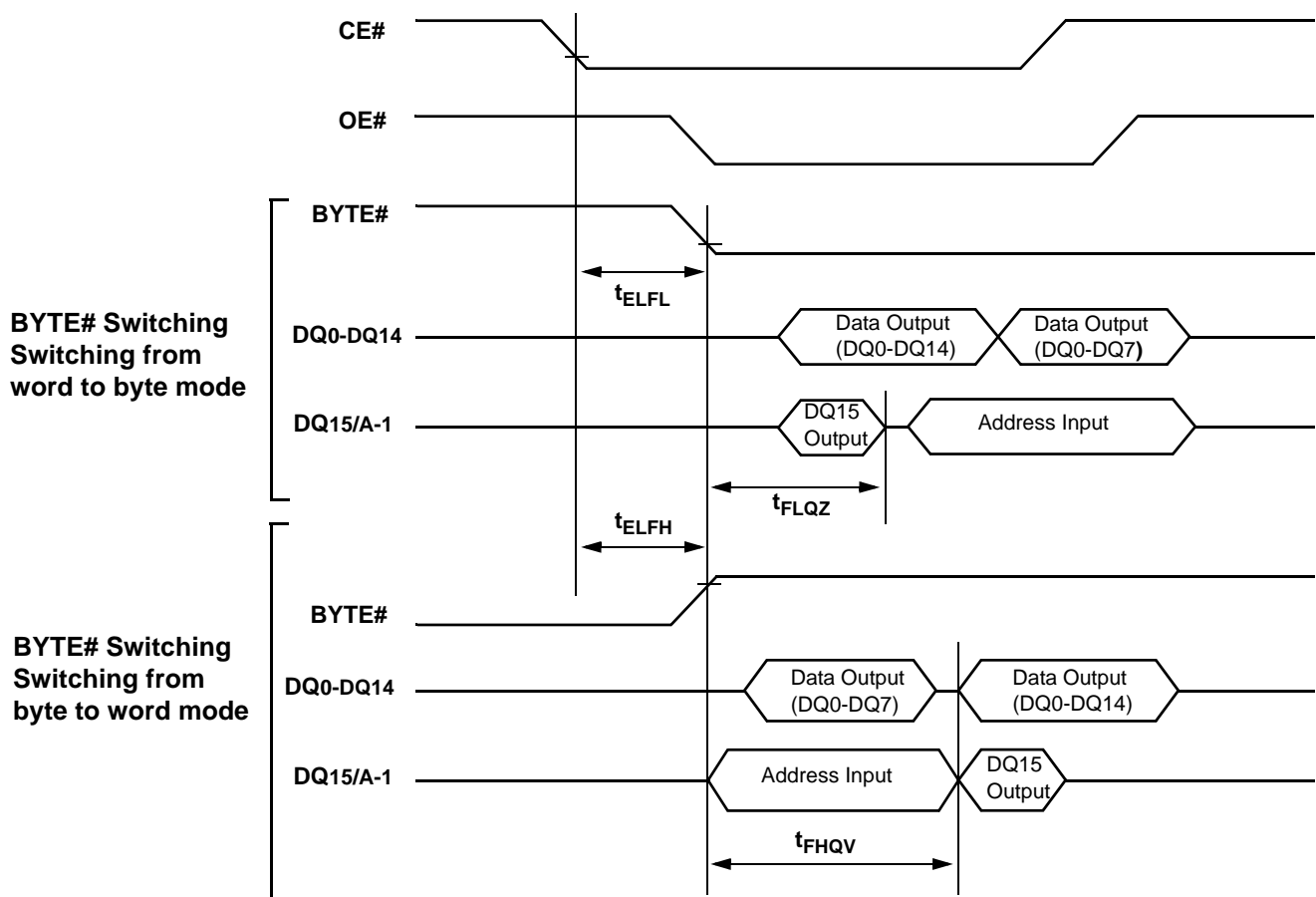
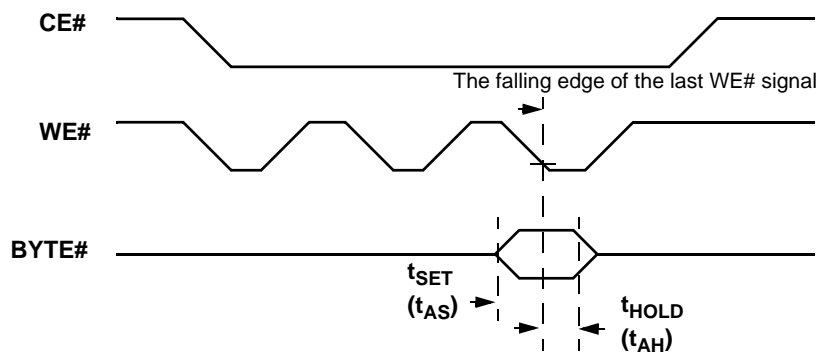
**(B) During Embedded Algorithm**

**Figure 17. Reset Timings**

# AC CHARACTERISTICS

**Table 11. Word/Byte Configuration (BYTE#)**

Parameter		Description		70R	90	120	Unit
JEDEC	Std.						
	$t_{ELFL}/t_{ELFH}$	CE# to BYTE# Switching Low or High	Max	5			ns
	$t_{FLQZ}$	BYTE# Switching Low to Output HIGH Z	Max	16			ns
	$t_{FHQV}$	BYTE# Switching High to Output Active	Min	70	90	120	ns


**Figure 18. BYTE# Timing for Read Operations**


**Note :** Refer to the Erase/Program Operations table for  $t_{AS}$  and  $t_{AH}$  specifications.

**Figure 19. BYTE# Timing for Write Operations**

## AC CHARACTERISTICS

**Table 12. Erase and Program Operations**

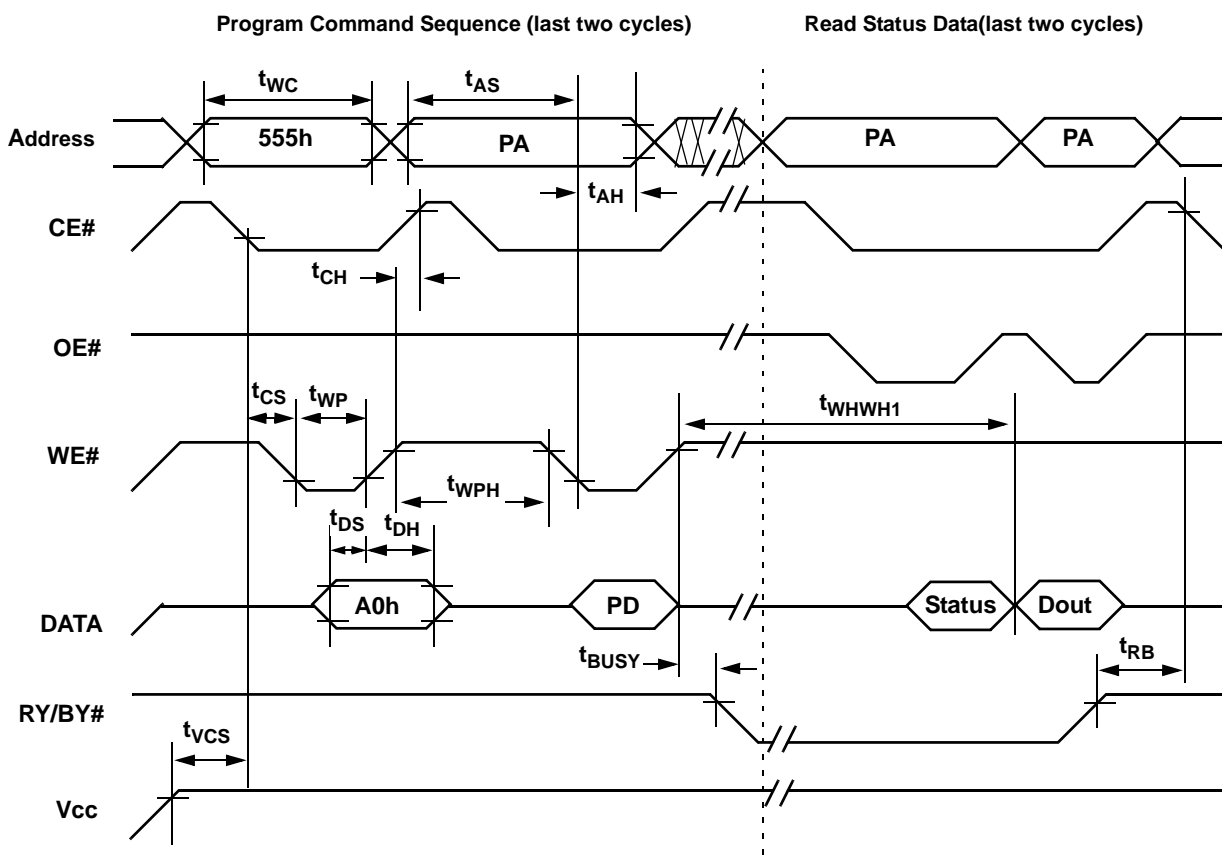
Parameter		Description		70R	90	120	Unit
JEDEC	Std.						
t <sub>AVAV</sub>	t <sub>WC</sub>	Write Cycle Time (Note 1)	Min	70	90	120	ns
t <sub>AVWL</sub>	t <sub>AS</sub>	Address Setup Time	Min	0			ns
	t <sub>ASO</sub>	Address Setup Time to OE# low during toggle bit polling	Min	15			ns
t <sub>WLAX</sub>	t <sub>AH</sub>	Address Hold Time	Min	45	50		ns
	t <sub>AHT</sub>	Address Hold Time From CE# or OE# high during toggle bit polling	Min	0			ns
t <sub>DVWH</sub>	t <sub>DS</sub>	Data Setup Time	Min	35	45	50	ns
t <sub>WHDX</sub>	t <sub>DH</sub>	Data Hold Time	Min	0			ns
	t <sub>OEPH</sub>	Output Enable High during toggle bit polling	Min	20			ns
t <sub>GHWL</sub>	t <sub>GHWL</sub>	Read Recovery Time Before Write (OE# High to WE# Low)	Min	0			ns
t <sub>ELWL</sub>	t <sub>CS</sub>	CE# Setup Time	Min	0			ns
t <sub>WHEH</sub>	t <sub>CH</sub>	CE# Hold Time	Min	0			ns
t <sub>WLWH</sub>	t <sub>WP</sub>	Write Pulse Width	Min	35	50		ns
t <sub>WHDL</sub>	t <sub>WPH</sub>	Write Pulse Width High	Min	30			ns
	t <sub>SRW</sub>	Latency Between Read and Write Operations	Min	0			ns
t <sub>WHWH1</sub>	t <sub>WHWH1</sub>	Programming Operation (Note 2)	Byte	6			us
			Word	8			
t <sub>WHWH2</sub>	t <sub>WHWH2</sub>	Sector Erase Operation (Note 2)	Typ	0.7			sec
	t <sub>VCS</sub>	Vcc Setup Time (Note 1)	Min	50			us
	t <sub>RB</sub>	Write Recovery Time from RY/BY#	Min	0			ns
	t <sub>BUSY</sub>	Program/Erase Valid to RY/BY# Delay	Max	90			ns

**Notes:**

1. Not 100% tested.
2. See the "Erase And Programming Performance" section for more information.



## AC CHARACTERISTICS

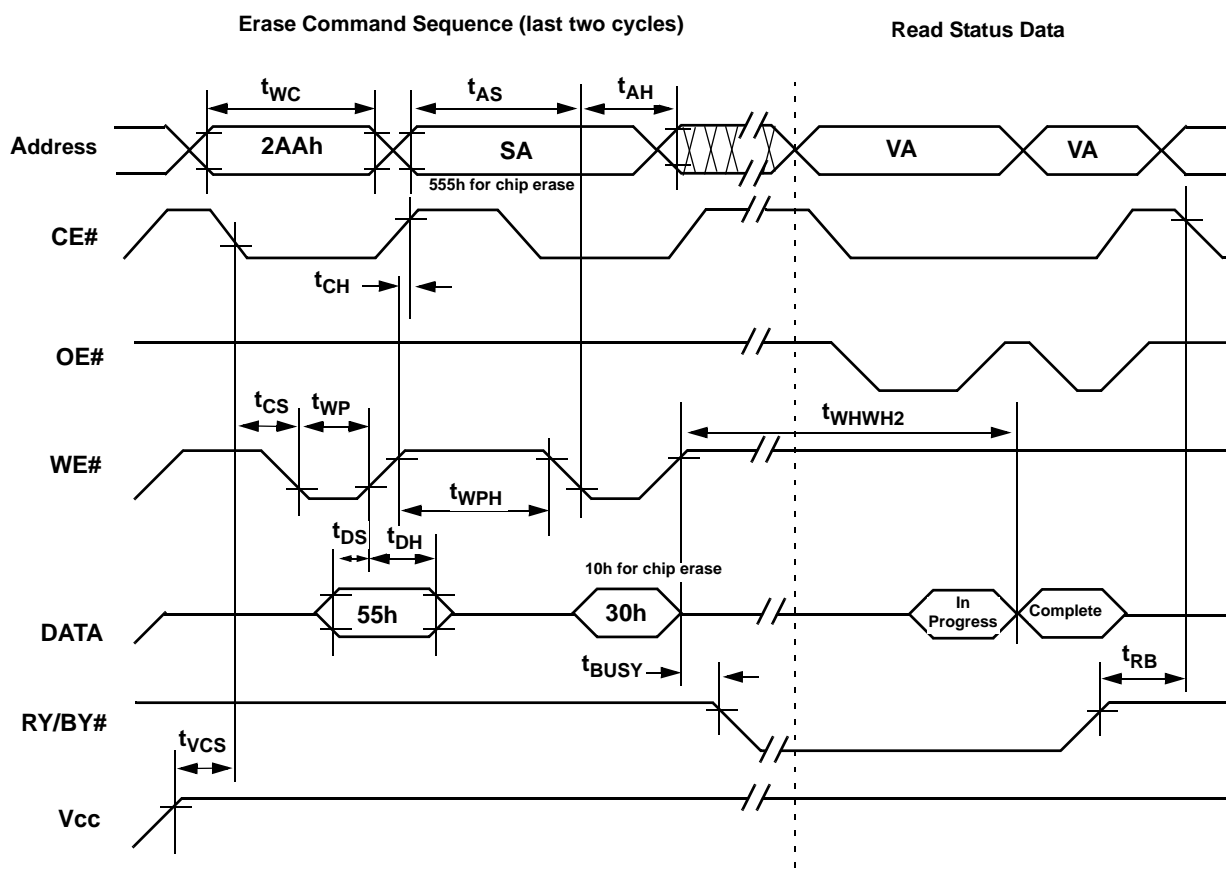


### NOTES :

1. PA = program address, PD = program data, Dout is the true data at the program address.
2. Illustration shows device in word mode.

Figure 20. Program Operation Timings

# AC CHARACTERISTICS

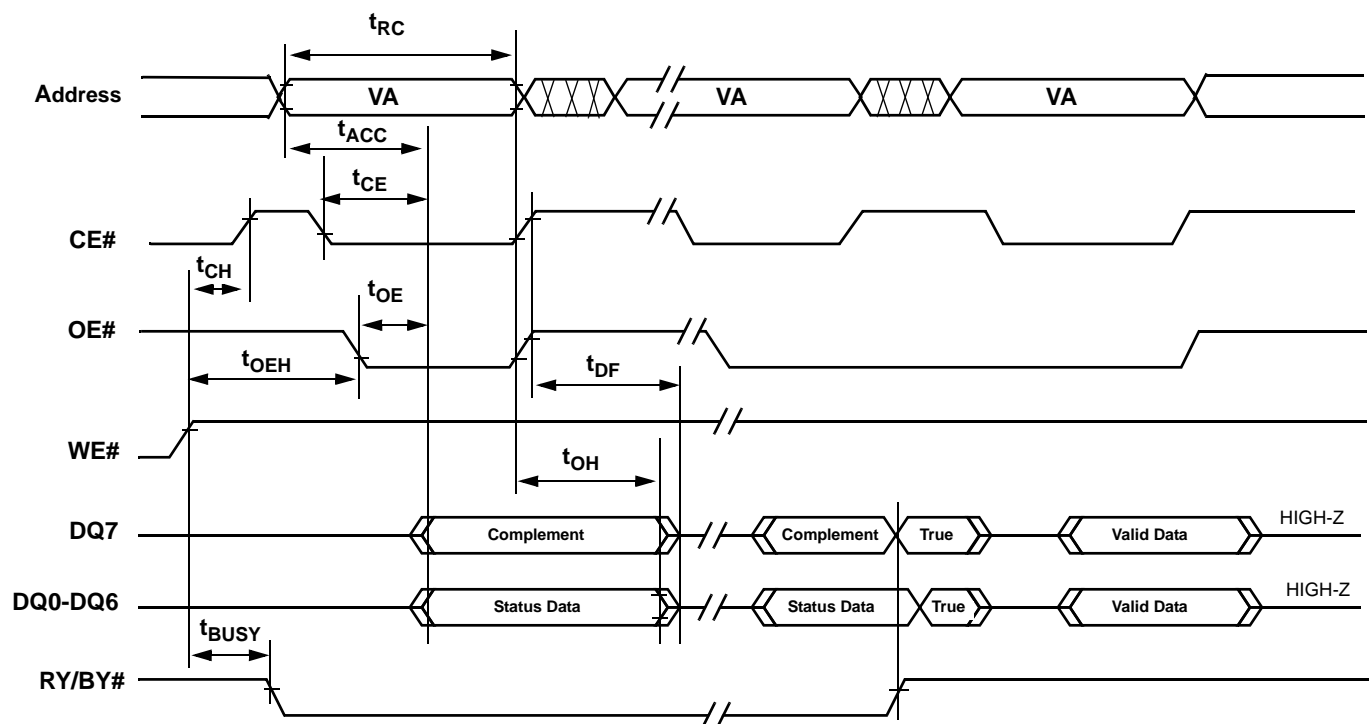


## NOTES :

1. SA = sector address (for Sector Erase), VA = valid address for reading status data (see "Write Operation Status").
2. These waveforms are for the word mode.

**Figure 21. Chip/Sector Erase Operation Timings**

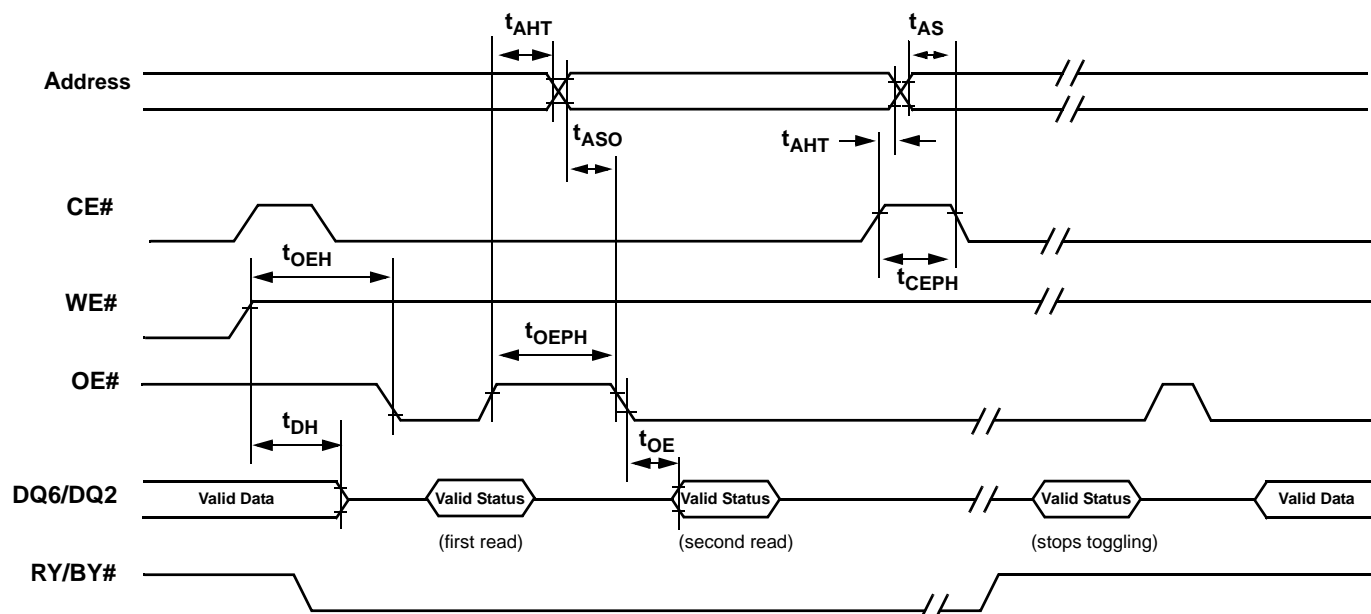
## AC CHARACTERISTICS



NOTE : VA = Valid address. Illustration shows first status cycle after command sequence, last status read cycle, and array data read cycle

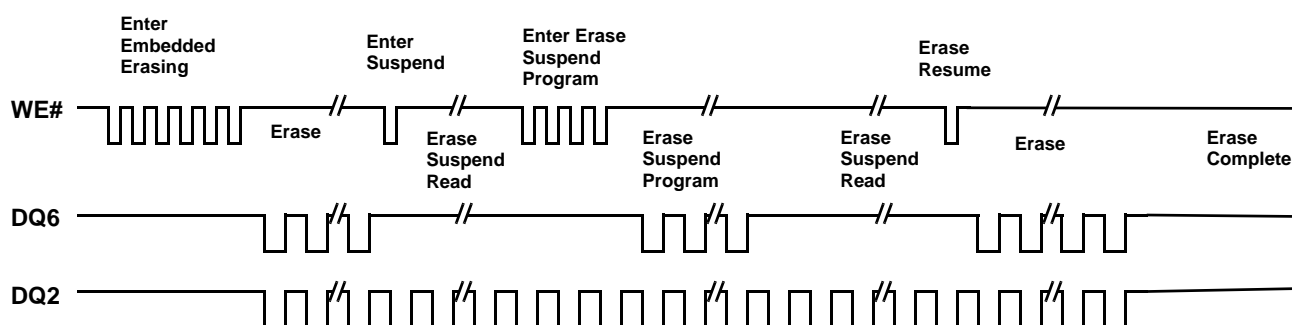
Figure 22. Data# Polling Timings (During Embedded Algorithms)

## AC CHARACTERISTICS



**NOTE :** VA = Valid address; not required for DQ6. Illustration shows first two status cycle after command sequence, last status read cycle, and array data read cycle.

**Figure 23. Toggle Bit Timings (During Embedded Algorithms)**



**NOTE :** DQ2 toggles only when read at an address within an erase-suspended sector. The system may use OE# or CE# to toggle DQ2 and DQ6.

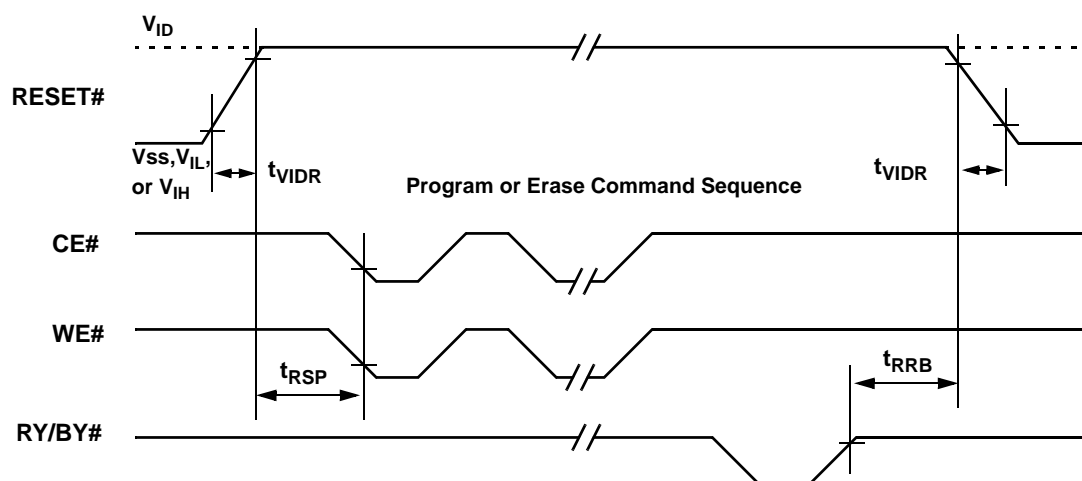
**Figure 24. DQ2 vs. DQ6**

## AC CHARACTERISTICS

**Table 13. Temporary Sector Unprotect**

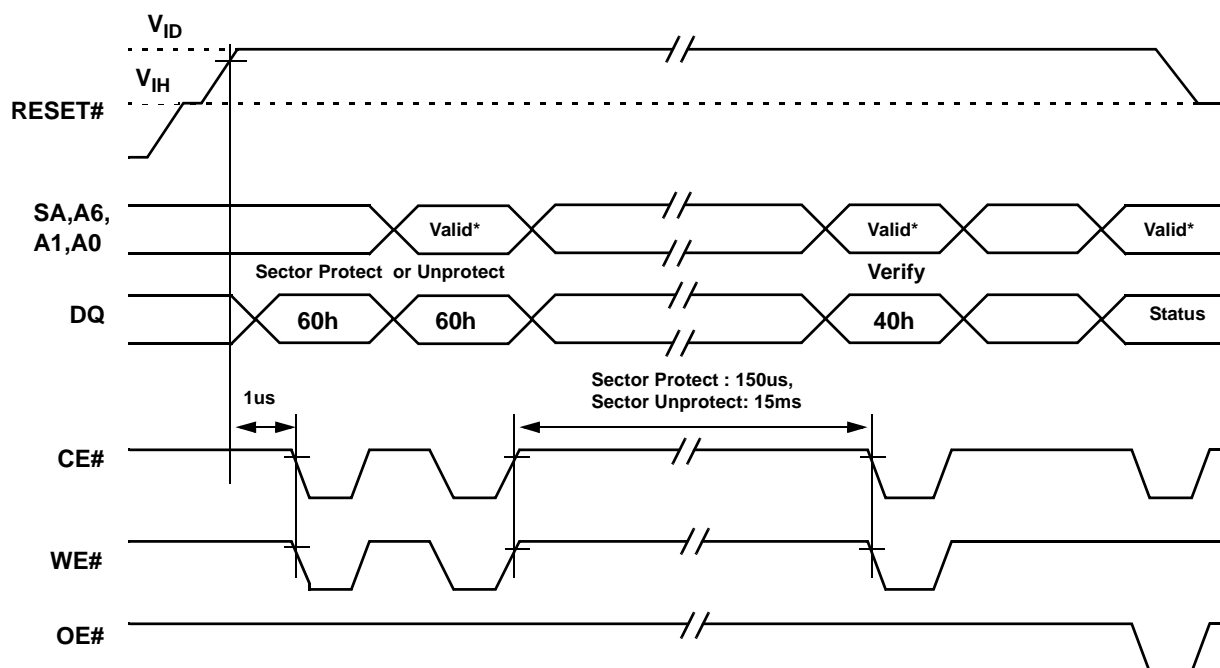
Parameter		Description		All Speed Options	Unit
JEDEC	Std.				
	$t_{VIDR}$	$V_{ID}$ Rise and Fall Time (See Note)	Min	500	ns
	$t_{RSP}$	RESET# Setup Time for Temporary Sector Unprotect	Min	4	us
	$t_{RRB}$	RESET# Hold Time from RY/BY# High for Temporary Sector Unprotect	Min	4	us

**Note:** Not 100% tested.



**Figure 25. Temporary Sector Unprotect Timing Diagram**

## AC CHARACTERISTICS



\* For sector protect, A6=0, A1=1, A0=0 For sector unprotect, A6=1, A1=1, A0=0

**Figure 26. Sector Protect & Unprotect Timing Diagram**

## AC CHARACTERISTICS

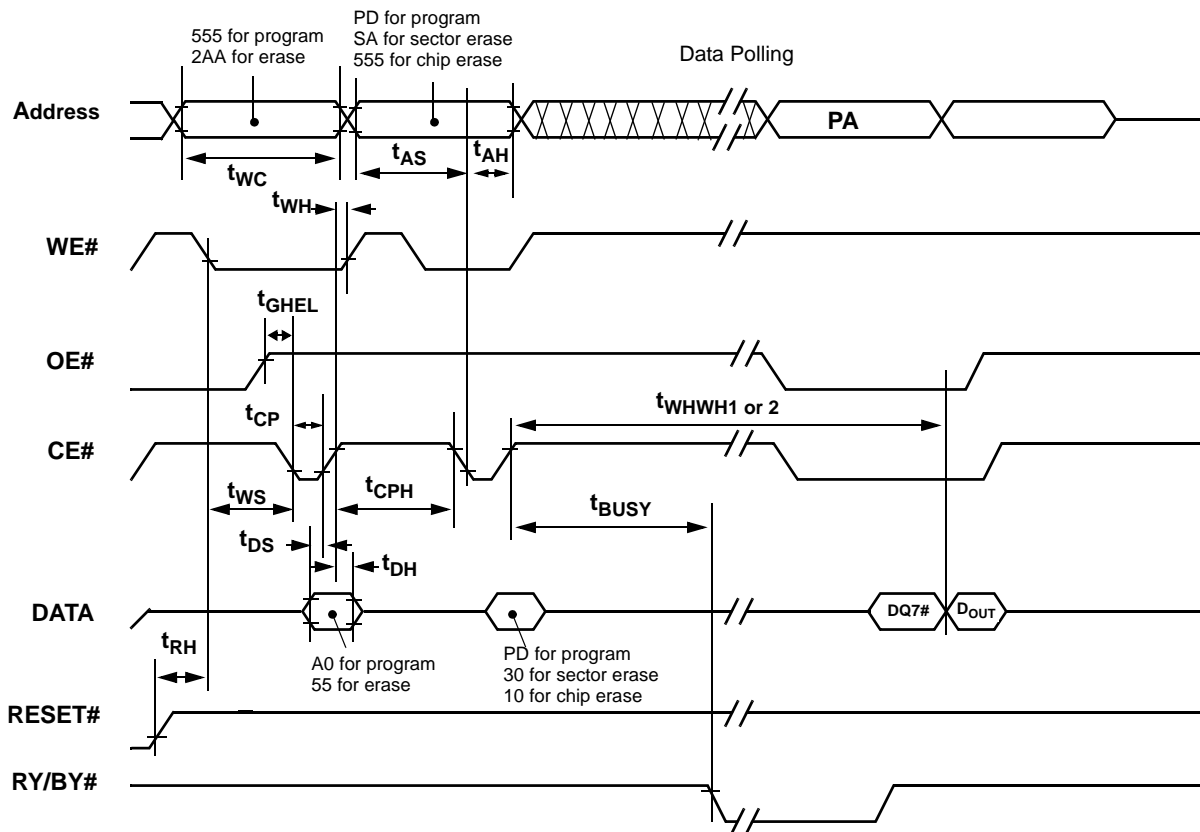
**Table 14. Alternate CE# Controlled Erase and Program Operations**

Parameter		Description		70R	90	120	Unit
JEDEC	Std.						
t <sub>AVAV</sub>	t <sub>WC</sub>	Write Cycle Time( Note 1)	Min	70	90	120	ns
t <sub>AVWL</sub>	t <sub>AS</sub>	Address Setup Time	Min	0			ns
t <sub>ELAX</sub>	t <sub>AH</sub>	Address Hold Time	Min	45		50	ns
t <sub>DVEH</sub>	t <sub>DS</sub>	Data Setup Time	Min	35	45	50	ns
t <sub>EHDX</sub>	t <sub>DH</sub>	Data Hold Time	Min	0			ns
t <sub>GHEL</sub>	t <sub>GHEL</sub>	Read Recovery Time Before Write (OE# High to WE# Low)	Min	0			ns
t <sub>WLEL</sub>	t <sub>WS</sub>	WE# Setup Time	Min	0			ns
t <sub>EHWH</sub>	t <sub>WH</sub>	WE# Hold Time	Min	0			ns
t <sub>ELEH</sub>	t <sub>CP</sub>	CE# Pulse Width	Min	35		50	ns
t <sub>ELEL</sub>	t <sub>CPH</sub>	CE# Pulse Width High	Min	30			ns
t <sub>WHWH1</sub>	t <sub>WHWH1</sub>	Programming Operation (Note 2)	Byte	6			us
			Word	8			
t <sub>WHWH2</sub>	t <sub>WHWH2</sub>	Sector Erase Operation (Note 2)	Typ	0.7			sec

**Notes :**

1. Not 100% tested
2. See the "Erase And Programming Performance" section for more information.

## AC CHARACTERISTICS



### NOTES :

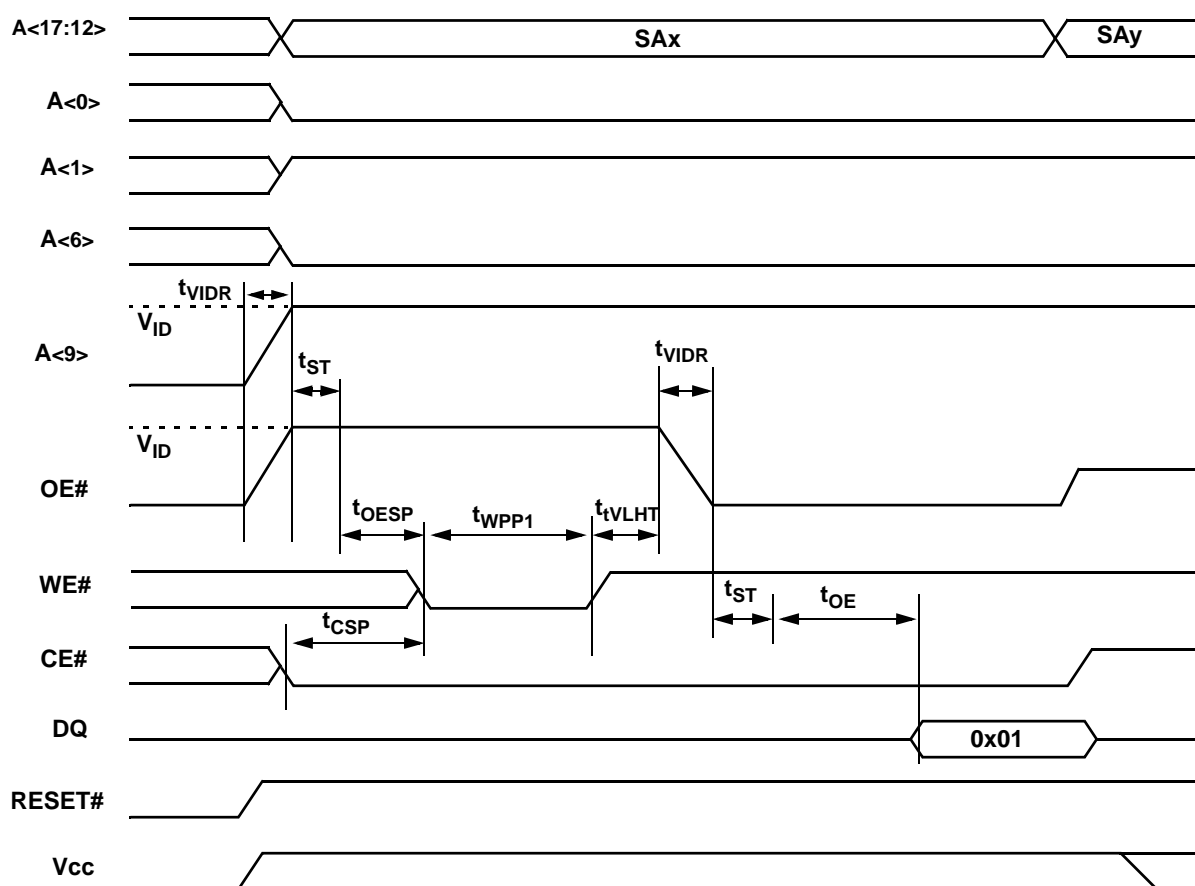
1. Figure indicates last two bus cycles of a program or erase operation.
2. PA = program address, SA = sector address, PD = program data
3. DQ7# is the complement of the data written to the device. DOUT is the data written to the device.
4. Waveforms are for the word mode.

**Figure 27. Alternate CE# Controlled Write(Erase/Program) Operation Timings**

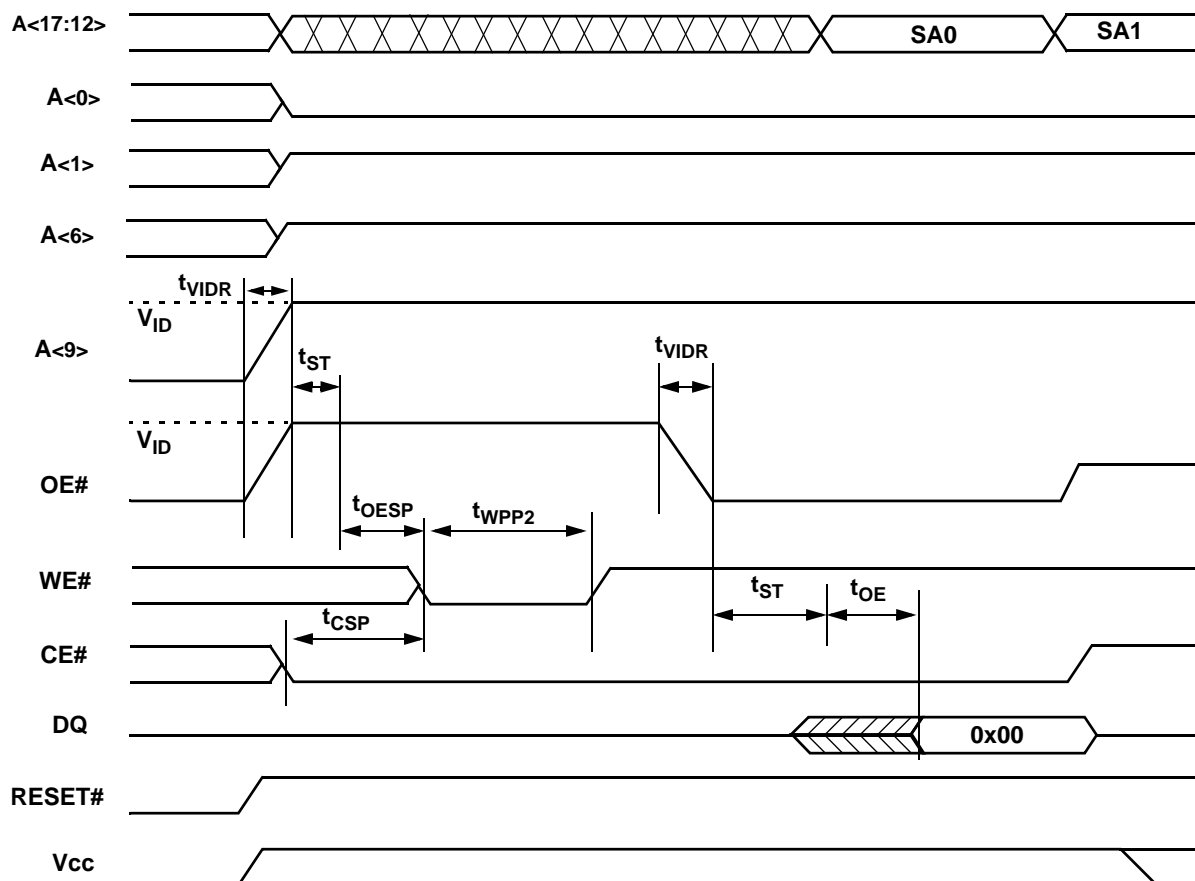


**Table 15. AC CHARACTERISTICS**

Parameter	Description		Value	Unit
$t_{OE}$	Output Enable to Output Delay	Max	30/35/50	ns
$t_{VIDR}$	Voltage Transition Time	Min	500	ns
$t_{WPP1}$	Write Pulse Width for Protection Operation	Min	150	us
$t_{WPP2}$	Write Pulse Width for Unprotection Operation	Min	15	ms
$t_{OESP}$	OE# Setup Time to WE# Active	Min	4	us
$t_{VLHT}$	Voltage transition time	Min	1	us
$t_{CSP}$	CE# Setup Time to WE# Active	Min	4	us
$t_{ST}$	Voltage Setup Time	Min	4	us


**Figure 28. Sector Protection timings (A9 High-Voltage Method)**

## AC CHARACTERISTICS



**NOTE :** It is recommended to verify for all sectors.

**Figure 29. Sector Unprotection timings (A9 High-Voltage Method)**

**Table 16. ERASE AND PROGRAMMING PERFORMANCE**

Parameter		Typ (Note 1)	Max (Note 2)	Unit	Comments
Sector Erase Time		0.7	10	sec	Excludes 00h programming prior to erasure (Note 4)
Chip Erase Time		8		sec	
Byte Program Time		6	150	us	Exclude system level overhead (Note 5)
Word Program Time		8	210	us	
Chip Program Time (Note 3)	Byte Mode	3.1	9.3	sec	
	Word Mode	2.1	6.3		

**Notes:**

1. Typical program and erase times assume the following conditions: 25°C, 3.0V Vcc, 10,000 cycles. Additionally, programming typicals assume checkerboard pattern.
2. Under worst case conditions of 90°C, Vcc = 2.7V, 100,000 cycles.
3. The typical chip programming time is considerably less than the maximum chip programming time listed, since most bytes program faster than the maximum program times listed.
4. In the pre-programming step of the Embedded Erase algorithm, all bytes are programmed to 00h before erasure.
5. System-level overhead is the time required to execute the two-or-four-bus-cycle sequence for the program command. See Table 5 for further information on command definitions.
6. The device has a minimum erase and program cycle endurance of 100,000 cycles.

**Table 17. LATCHUP CHARACTERISTICS**

Description	Min	Max
Input voltage with respect to Vss on all pins except I/O pins (including A9, OE#, and RESET#)	- 1.0V	12.5 V
Input voltage with respect to Vss on all I/O pins	- 1.0V	Vcc + 1.0 V
Vcc Current	- 100 mA	+100 mA

**Note:** Includes all pins except Vcc. Test conditions: Vcc = 3.0 V, one pin at a time

**Table 18. TSOP, SO, AND BGA PACKAGE CAPACITANCE**

Parameter Symbol	Parameter Description	Test Setup		Typ	Max	Unit
C <sub>IN</sub>	Input Capacitance	V <sub>IN</sub> = 0	TSOP	6	7.5	pF
			FBGA	4.2	5.0	pF
C <sub>OUT</sub>	Output Capacitance	V <sub>OUT</sub> = 0	TSOP	8.5	12	pF
			FBGA	5.4	6.5	pF
C <sub>IN2</sub>	Control Pin Capacitance	V <sub>IN</sub> = 0	TSOP	7.5	9	pF
			FBGA	3.9	4.7	pF

**Notes:**

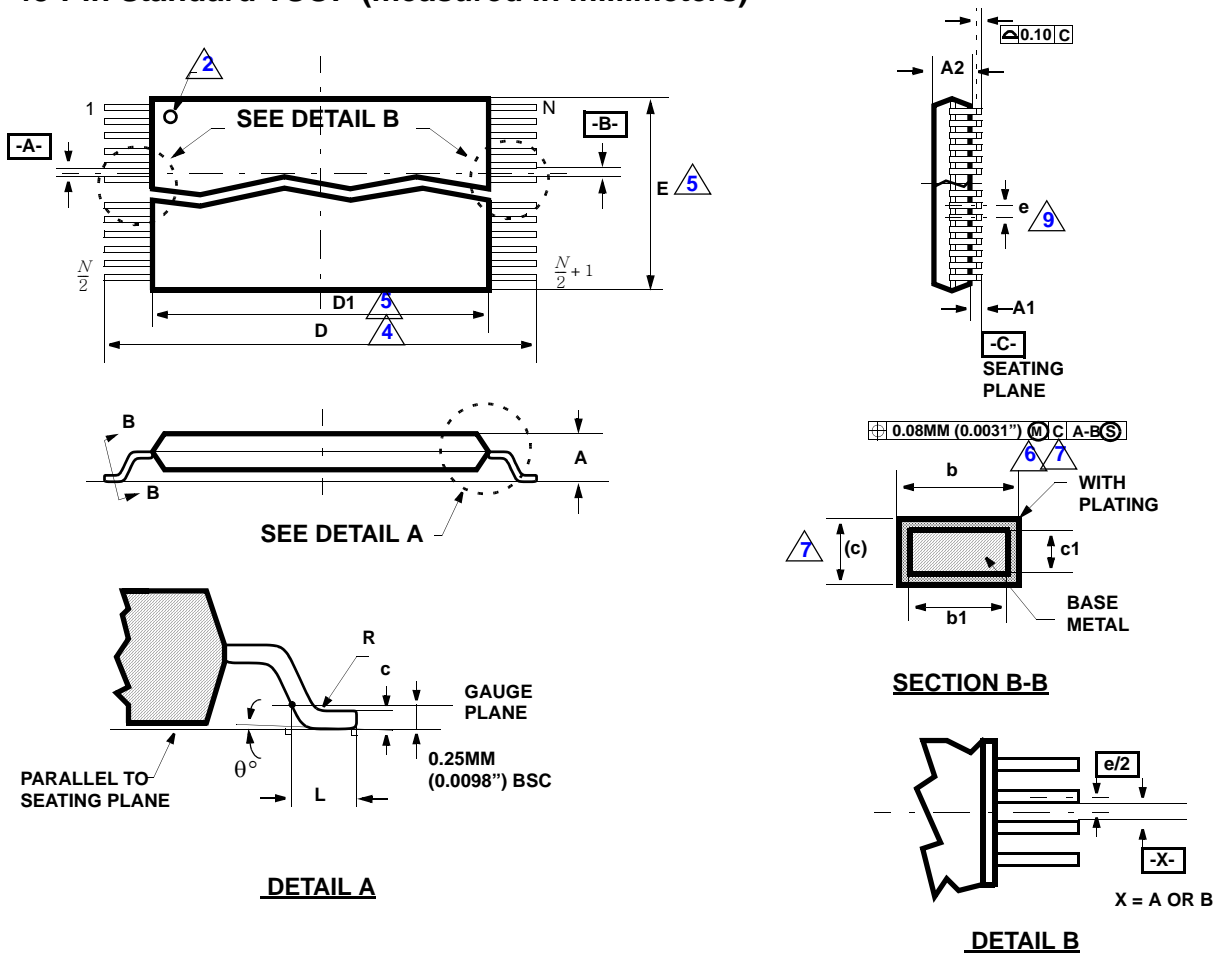
1. Sampled, not 100% tested.
2. Test conditions TA = 25°C, f=1.0MHz.

**Table 19. DATA RETENTION**

Parameter Description	Test conditions	Min	Unit
Minimum Pattern Data Retention Time	150°C	10	Years
	125°C	20	Years

## PHYSICAL DIMENSIONS

### 48-Pin Standard TSOP (measured in millimeters)



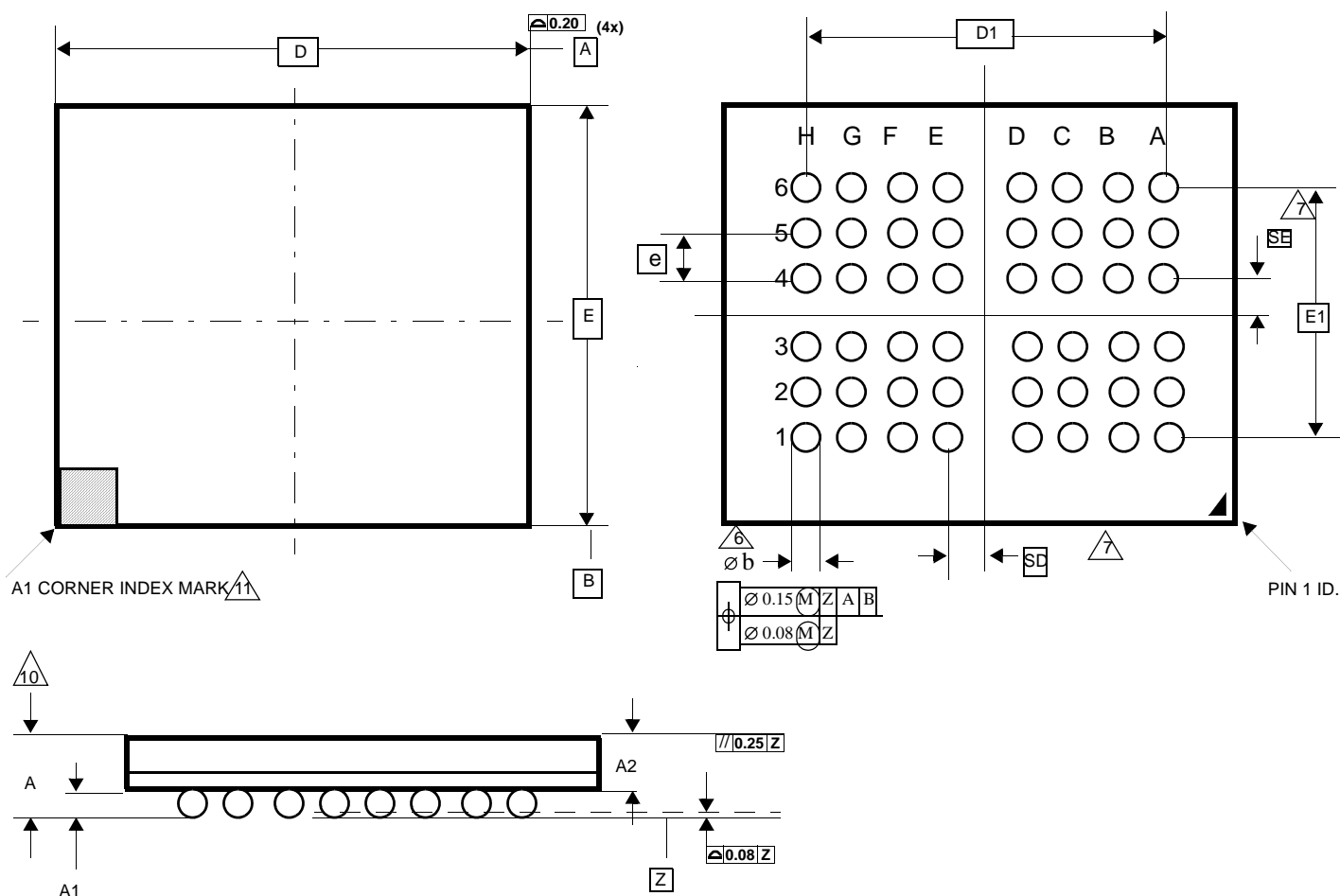
Package	TS 48		
JEDEC	MO-142 (B) DD		
Symbol	MIN	NOM	MAX
A	-	-	1.20
A1	0.05	-	0.15
A2	0.95	1.00	1.05
b1	0.17	0.20	0.23
b	0.17	0.22	0.27
c1	0.10	-	0.16
c	0.10	-	0.21
D	19.80	20.00	20.20
D1	18.30	18.40	18.50
E	11.90	12.00	12.10
e	0.50 BASIC		
L	0.50	0.60	0.70
$\theta$	0°	3°	5°
R	0.08	-	0.20
N	48		

#### NOTES:

1. Controlling dimensions are in millimeters(mm). (Dimensioning and tolerancing conforms to ANSI Y14.5M-1982)
2. Pin 1 identifier for standard pin out (Die up).
3. Pin 1 identifier for reverse pin out (Die down): Ink or Laser mark
4. To be determined at the seating plane. The seating plane is defined as the plane of contact that is made when the package leads are allowed to rest freely on a flat horizontal surface.
5. Dimension **D1** and **E** do not include mold protrusion. Allowable mold protrusion is 0.15mm (0.0059") per side.
6. Dimension **b** does not include dambar protrusion. Allowable dambar protrusion shall be 0.08mm (0.0031") total in excess of **b** dimension at max. material condition. Minimum space between protrusion and an adjacent lead to be 0.07mm (0.0028").
7. These dimensions apply to the flat section of the lead between 0.10mm (0.0039") and 0.25mm (0.0098") from the lead tip.
8. Lead coplanarity shall be within 0.10mm (0.004") as measured from the seating plane.
9. Dimension "e" is measured at the centerline of the leads.

## PHYSICAL DIMENSIONS

### 48-Ball FBGA (6 x 8 mm)



PACKAGE	xFBD 048			
JEDEC	N/A			
	6.00 mm x 8.00 mm PACKAGE			
SYMBOL	MIN	NOM	MAX	NOTE
A			1.10	OVERALL THICKNESS
A1	0.21	0.25	0.29	BALL HEIGHT
A2	0.7	0.76	0.82	BODY THICKNESS
D	8.00 BSC			BODY SIZE
E	6.00 BSC			BODY SIZE
D1	5.60 BSC			BALL FOOTPRINT
E1	4.00 BSC			BALL FOOTPRINT
MD	8			ROW MATRIX SIZED DIRECTION
ME	6			ROW MATRIX SIZED DIRECTION
N	48			TOTAL BALL COUNT
b	0.30	0.35	0.40	BALL DIAMETER
e	0.80 BSC			BALL PITCH
SD / SE	0.40 BSC			SOLDER BALL PLACEMENT

#### NOTES:

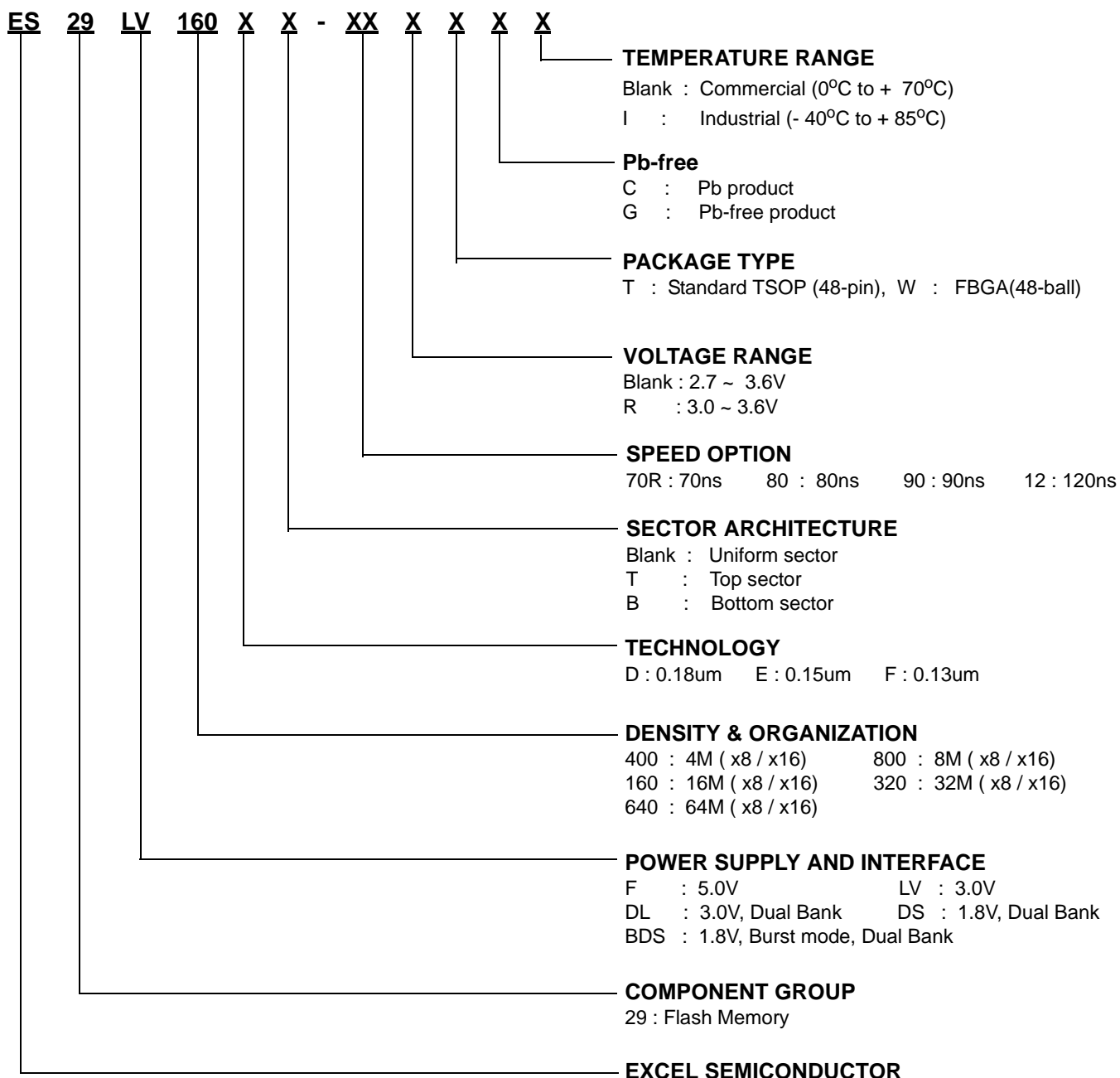
- Dimensioning and tolerancing per ASME Y14.5M-1994
- All dimensions are in millimeters.
- Ball position designation per JESD 95-1, SPP-010.
- $\square$  represents the solder ball grid pitch.
- Symbol "MD" is the ball row matrix size in the "D" direction. Symbol "ME" is the ball column matrix size in the "E" direction. N is the maximum number of solder balls for matrix size MD X ME.
- Dimension "b" is measured at the maximum ball diameter in a plane parallel to datum Z.
- SD and SE are measured with respect to datums A and B and define the position of the center solder ball in the outer row. When there is an odd number of solder balls in the outer row parallel to the D or E dimension, respectively, SD or SE = 0.000 when there is an even number of solder balls in the outer row, SD or SE =  $\lceil e/2 \rceil$
- "X" in the package variations denotes part is outer qualification.
- "+" in the package drawing indicate the theoretical center of depopulated balls.
- For package thickness A is the controlling dimension.
- A1 corner to be identified by chamfer, ink mark, metallized markings indentation or other means.



## ORDERNG INFORMATION

### Standard Products

ESI standard products are available in several package and operating ranges. The order number (Valid Combination) is formed by a combination of the following:





## Product Selection Guide

### Industrial Device

Part No.	Speed	Vcc	Boot Sector	Package	Pb	Ball Pitch/Size	Body Size
ES29LV400DT-70RTGI	70ns	3.0 - 3.6V	Top	48-pin TSOP	Pb-free		
ES29LV400DT-70RTCI	70ns	3.0 - 3.6V	Top	48-pin TSOP	-		
ES29LV400DB-70RTGI	70ns	3.0 - 3.6V	Bottom	48-pin TSOP	Pb-free		
ES29LV400DB-70RTCI	70ns	3.0 - 3.6V	Bottom	48-pin TSOP	-		
ES29LV400DT-90TGI	90ns	2.7 - 3.6V	Top	48-pin TSOP	Pb-free		
ES29LV400DT-90TCI	90ns	2.7 - 3.6V	Top	48-pin TSOP	-		
ES29LV400DB-90TGI	90ns	2.7 - 3.6V	Bottom	48-pin TSOP	Pb-free		
ES29LV400DB-90TCI	90ns	2.7 - 3.6V	Bottom	48-pin TSOP	-		
ES29LV400DT-12TGI	120ns	2.7 - 3.6V	Top	48-pin TSOP	Pb-free		
ES29LV400DT-12TCI	120ns	2.7 - 3.6V	Top	48-pin TSOP	-		
ES29LV400DB-12TGI	120ns	2.7 - 3.6V	Bottom	48-pin TSOP	Pb-free		
ES29LV400DB-12TCI	120ns	2.7 - 3.6V	Bottom	48-pin TSOP	-		



## Product Selection Guide

### Industrial Device

Part No.	Speed	Vcc	Boot Sector	Package	Pb	Ball Pitch/Size	Body Size
ES29LV400DT-70RWGI	70ns	3.0 - 3.6V	Top	48-Ball FBGA	Pb-free	0.8mm/0.3mm	6mm x 8mm
ES29LV400DT-70RWCI	70ns	3.0 - 3.6V	Top	48-Ball FBGA	-	0.8mm/0.3mm	6mm x 8mm
ES29LV400DB-70RWGI	70ns	3.0 - 3.6V	Bottom	48-Ball FBGA	Pb-free	0.8mm/0.3mm	6mm x 8mm
ES29LV400DB-70RWCI	70ns	3.0 - 3.6V	Bottom	48-Ball FBGA	-	0.8mm/0.3mm	6mm x 8mm
ES29LV400DT-90WGI	90ns	2.7 - 3.6V	Top	48-Ball FBGA	Pb-free	0.8mm/0.3mm	6mm x 8mm
ES29LV400DT-90WCI	90ns	2.7 - 3.6V	Top	48-Ball FBGA	-	0.8mm/0.3mm	6mm x 8mm
ES29LV400DB-90WGI	90ns	2.7 - 3.6V	Bottom	48-Ball FBGA	Pb-free	0.8mm/0.3mm	6mm x 8mm
ES29LV400DB-90WCI	90ns	2.7 - 3.6V	Bottom	48-Ball FBGA	-	0.8mm/0.3mm	6mm x 8mm
ES29LV400DT-12WGI	120ns	2.7 - 3.6V	Top	48-Ball FBGA	Pb-free	0.8mm/0.3mm	6mm x 8mm
ES29LV400DT-12WCI	120ns	2.7 - 3.6V	Top	48-Ball FBGA	-	0.8mm/0.3mm	6mm x 8mm
ES29LV400DB-12WGI	120ns	2.7 - 3.6V	Bottom	48-Ball FBGA	Pb-free	0.8mm/0.3mm	6mm x 8mm
ES29LV400DB-12WCI	120ns	2.7 - 3.6V	Bottom	48-Ball FBGA	-	0.8mm/0.3mm	6mm x 8mm





## Product Selection Guide

### Commercial Device

Part No.	Speed	Vcc	Boot Sector	Package	Pb	Ball Pitch/Size	Body Size
ES29LV400DT-70RTG	70ns	3.0 - 3.6V	Top	48-pin TSOP	Pb-free		
ES29LV400DT-70RTC	70ns	3.0 - 3.6V	Top	48-pin TSOP	-		
ES29LV400DB-70RTG	70ns	3.0 - 3.6V	Bottom	48-pin TSOP	Pb-free		
ES29LV400DB-70RTC	70ns	3.0 - 3.6V	Bottom	48-pin TSOP	-		
ES29LV400DT-90TG	90ns	2.7 - 3.6V	Top	48-pin TSOP	Pb-free		
ES29LV400DT-90TC	90ns	2.7 - 3.6V	Top	48-pin TSOP	-		
ES29LV400DB-90TG	90ns	2.7 - 3.6V	Bottom	48-pin TSOP	Pb-free		
ES29LV400DB-90TC	90ns	2.7 - 3.6V	Bottom	48-pin TSOP	-		
ES29LV400DT-12TG	120ns	2.7 - 3.6V	Top	48-pin TSOP	Pb-free		
ES29LV400DT-12TC	120ns	2.7 - 3.6V	Top	48-pin TSOP	-		
ES29LV400DB-12TG	120ns	2.7 - 3.6V	Bottom	48-pin TSOP	Pb-free		
ES29LV400DB-12TC	120ns	2.7 - 3.6V	Bottom	48-pin TSOP	-		



## Product Selection Guide

### Commercial Device

Part No.	Speed	Vcc	Boot Sector	Package	Pb	Ball Pitch/Size	Body Size
ES29LV400DT-70RWG	70ns	3.0 - 3.6V	Top	48-Ball FBGA	Pb-free	0.8mm/0.3mm	6mm x 8mm
ES29LV400DT-70RWC	70ns	3.0 - 3.6V	Top	48-Ball FBGA	-	0.8mm/0.3mm	6mm x 8mm
ES29LV400DB-70RWG	70ns	3.0 - 3.6V	Bottom	48-Ball FBGA	Pb-free	0.8mm/0.3mm	6mm x 8mm
ES29LV400DB-70RWC	70ns	3.0 - 3.6V	Bottom	48-Ball FBGA	-	0.8mm/0.3mm	6mm x 8mm
ES29LV400DT-90WG	90ns	2.7 - 3.6V	Top	48-Ball FBGA	Pb-free	0.8mm/0.3mm	6mm x 8mm
ES29LV400DT-90WC	90ns	2.7 - 3.6V	Top	48-Ball FBGA	-	0.8mm/0.3mm	6mm x 8mm
ES29LV400DB-90WG	90ns	2.7 - 3.6V	Bottom	48-Ball FBGA	Pb-free	0.8mm/0.3mm	6mm x 8mm
ES29LV400DB-90WC	90ns	2.7 - 3.6V	Bottom	48-Ball FBGA	-	0.8mm/0.3mm	6mm x 8mm
ES29LV400DT-12WG	120ns	2.7 - 3.6V	Top	48-Ball FBGA	Pb-free	0.8mm/0.3mm	6mm x 8mm
ES29LV400DT-12WC	120ns	2.7 - 3.6V	Top	48-Ball FBGA	-	0.8mm/0.3mm	6mm x 8mm
ES29LV400DB-12WG	120ns	2.7 - 3.6V	Bottom	48-Ball FBGA	Pb-free	0.8mm/0.3mm	6mm x 8mm
ES29LV400DB-12WC	120ns	2.7 - 3.6V	Bottom	48-Ball FBGA	-	0.8mm/0.3mm	6mm x 8mm

## Document Title

4M Flash Memory

## Revision History

Revision Number	Date	Items
Rev. 0A	Mar. 15, 2004	Initial Release Version.
Rev. 0B	Apr. 23, 2004	<ol style="list-style-type: none"> <li>1. The bias condition of RESET# in Table 1 for A9 high-Voltage method is changed from <math>V_{ID}</math> to H.</li> <li>2. The bias condition of A9 in Table 1 for A9 high-Voltage method is added.</li> <li>3. The typical byte and word program time are changed from 5<math>\mu</math>s/7<math>\mu</math>s to 6<math>\mu</math>s/8<math>\mu</math>s.</li> <li>4. The dimension of FBGA is changed from 8 x 9mm to 6 x 8mm.</li> </ol>
Rev. 0C	Dec. 1, 2004	<ol style="list-style-type: none"> <li>1. The 60R is removed.</li> <li>2. The 44pin-SO is removed.</li> <li>3. The <math>I_{CC3}</math> (max) is changed from 5<math>\mu</math>A to 10<math>\mu</math>A.</li> <li>4. The <math>I_{CC4}</math> (max) is changed from 5<math>\mu</math>A to 10<math>\mu</math>A.</li> <li>5. The <math>I_{CC5}</math> (max) is changed from 5<math>\mu</math>A to 10<math>\mu</math>A.</li> <li>6. The <math>V_{IL(max)}</math> is changed from 0.8V to 0.5V.</li> <li>7. The overall thickness of FBGA, A (max), is changed from 1.20 to 1.10. Therefore, ball height (A1) and body thickness (A2) also is changed accordingly.</li> <li>8. The ball diameter of FBGA, b(min), b(nom), b(max), is changed from 0.25, 0.30, and 0.35 to 0.30, 0.35, and 0.40 respectively.</li> </ol>
Rev. 0D	Dec. 13, 2004	<ol style="list-style-type: none"> <li>1. The arrow from Erase Suspend Read to Read is changed to Sector Erase.</li> <li>2. <math>V_{LKO(min)}</math>, 2.3V is added</li> </ol>

**Document Title**

4M Flash Memory

**Revision History**

Revision Number	Data	Items
Rev. 1A	Apr. 1, 2005	1. The preliminary is removed from the datasheet. 2. Changed Speed (70 --> 70R).
Rev. 1B	Sep. 30, 2005	1. add tVLHT parameter (page 41) 2. Correct tOE speed. (page 3)
Rev. 1C	Jan. 5, 2006	1. Add RoHS-Compliant Package Option.

**Excel Semiconductor Inc.**

1010 Keumkang Hightech Valley, Sangdaewon1-Dong 133-1, Jungwon-Gu, Seongnam-Si, Kyongki-Do, Rep. of Korea. Zip Code : 462-807 Tel : +82-31-777-5060 Fax : +82-31-740-3798 / Homepage : www.excelsemi.com

*The attached datasheets are provided by Excel Semiconductor.inc (ESI). ESI reserves the right to change the specifications and products. ESI will answer to your questions about device. If you have any questions, please contact the ESI office.*