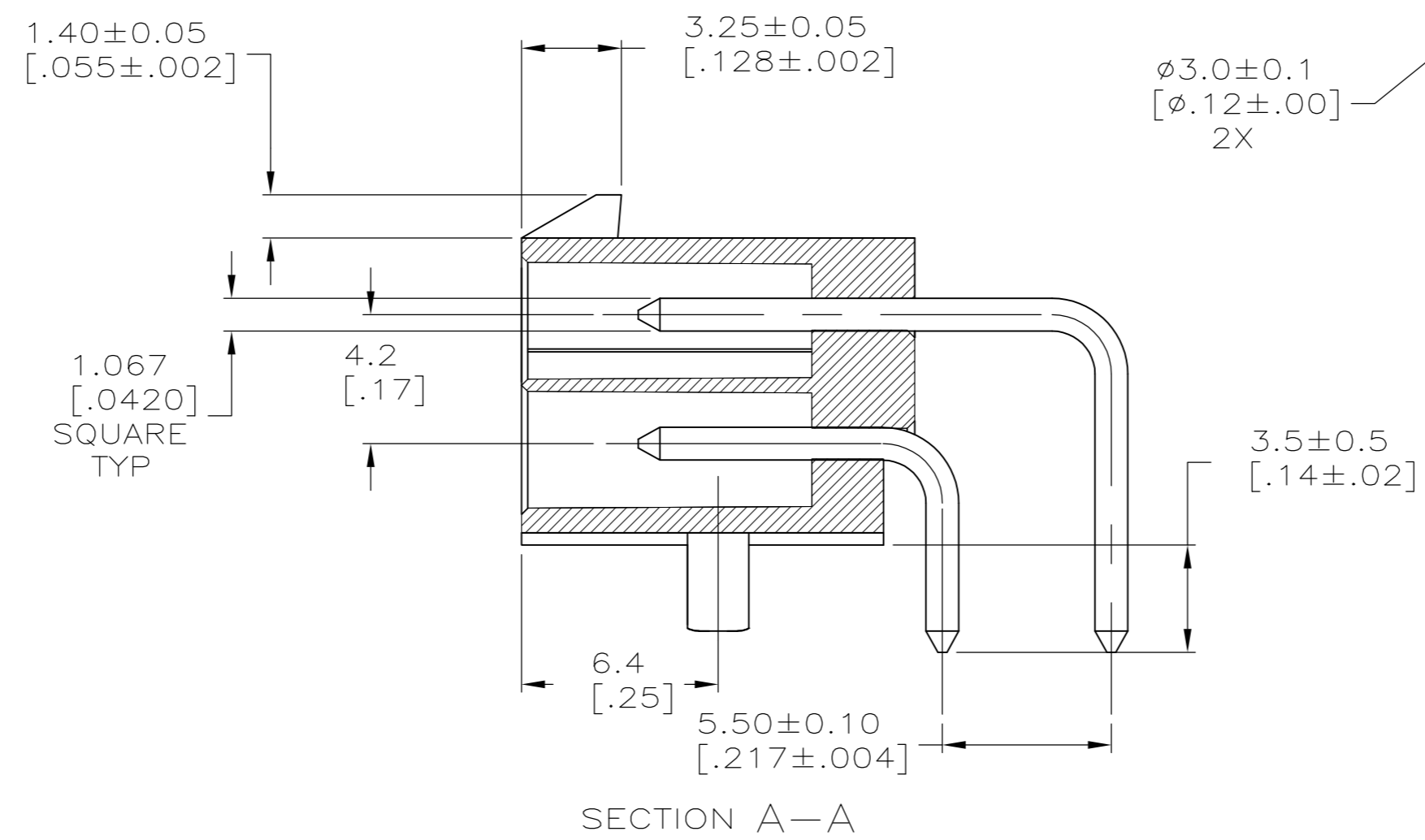
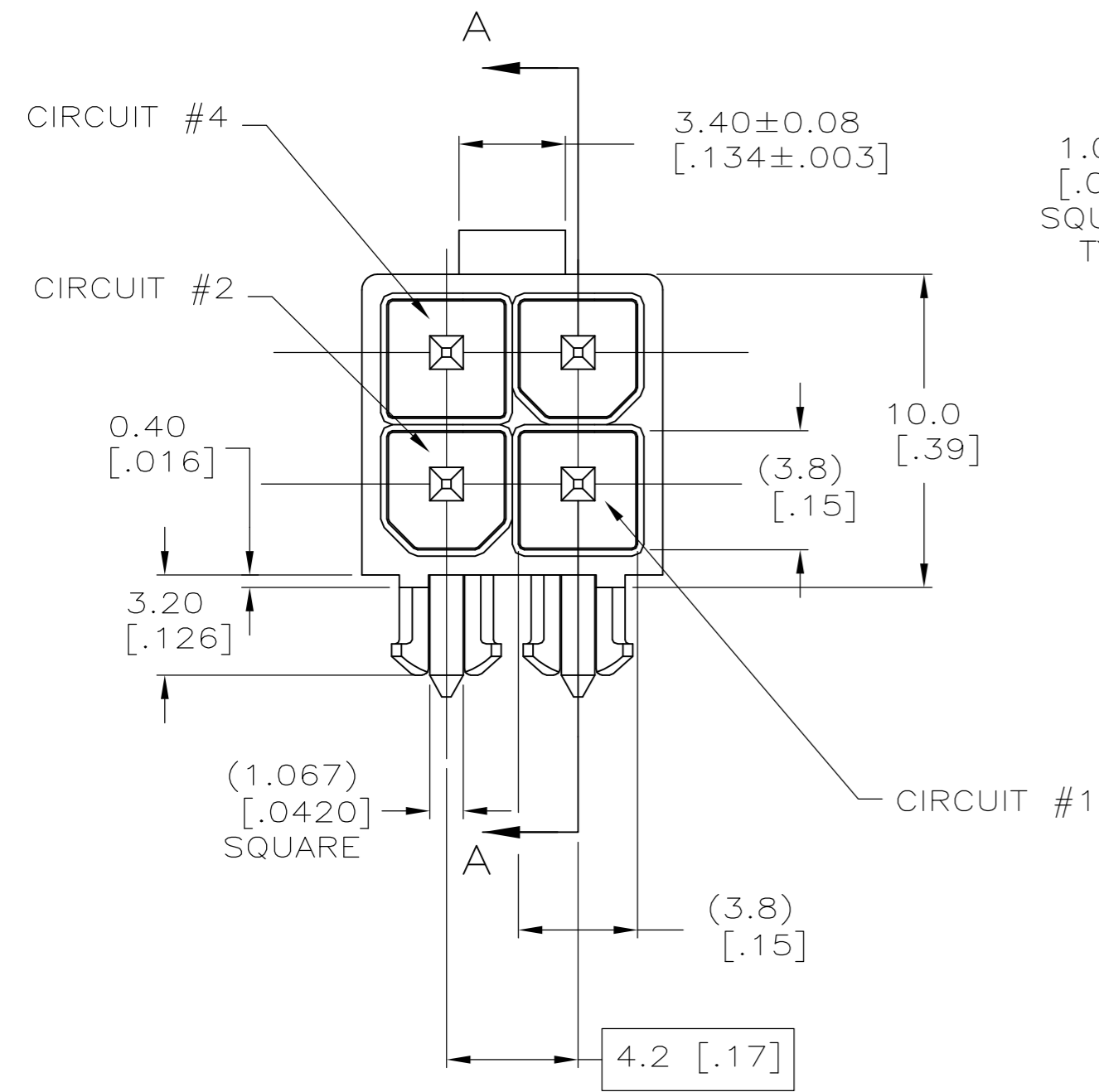
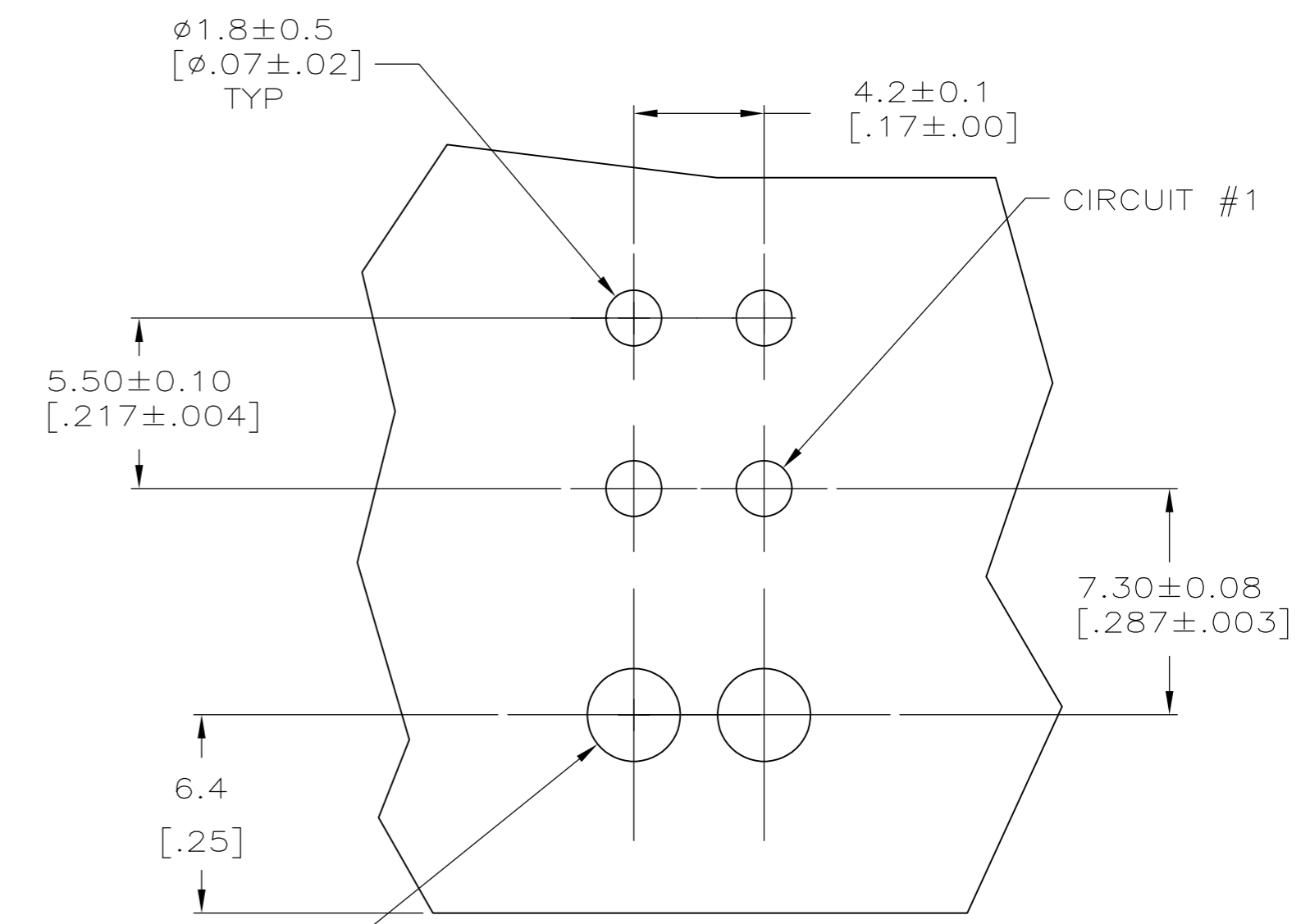
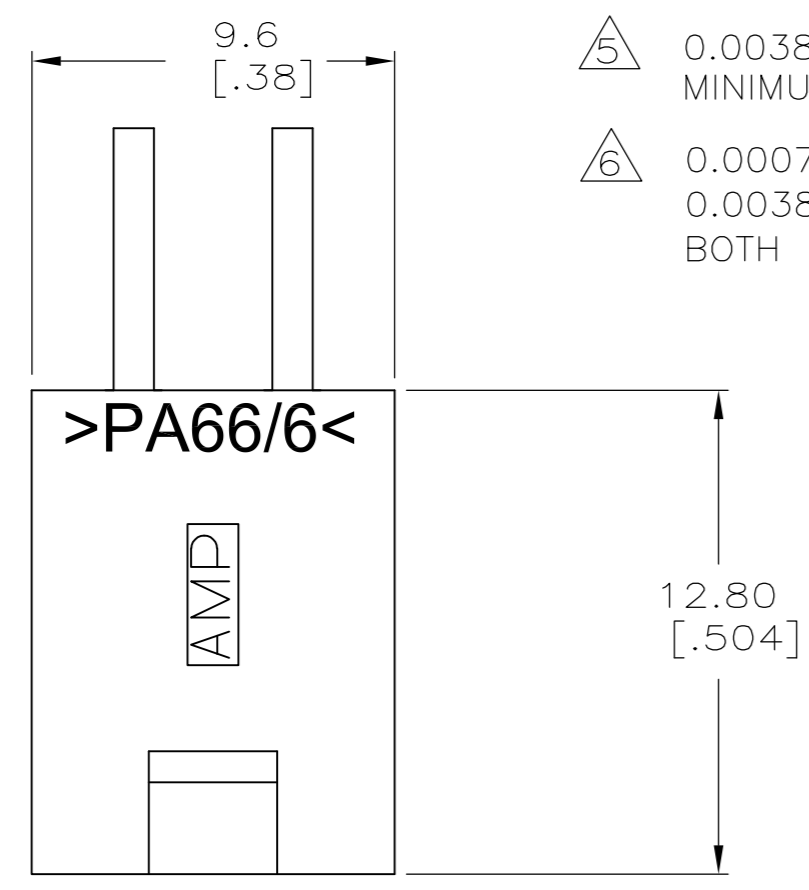


THIS DRAWING IS UNPUBLISHED. RELEASED FOR PUBLICATION
 © COPYRIGHT By - ALL RIGHTS RESERVED.

LOC		DIST		REVISIONS			
P	LTR	DESCRIPTION		DATE	DWN	APVD	
CM	00	E1	REVISED PER ECO-11-019177		21SEP11	KH	SM

- 1 MATERIAL: HOUSING - NYLON, UL94V-0 (COLOR - WHITE).
PIN - 1.067mm² [.0017in²] COPPER ALLOY.
- 2. PINS TO COMPLY WITH SOLDERABILITY SPEC 109-11-3.
- 3 0.00381 [.000150] MINIMUM TIN LEAD OVER 0.00127 [.000050] MINIMUM NICKEL, ENTIRE LENGTH OF PIN.
- 4 NOTE DELETED.
- 5 0.00381 [.000150] MINIMUM TIN OVER 0.00127 [.000050] MINIMUM NICKEL, ENTIRE LENGTH OF PIN.
- 6 0.00076 [.000030] MIN GOLD IN THE LOCALIZED PLATE AREA
0.00381 [.000150] MIN TIN IN THE LOCALIZED PLATE AREA
BOTH OVER 0.00127 [.000050] MIN NICKEL.



SUPERSEDED BY 1-794448-1

1	6	1	1	1-794527-2	
1	5	1	1	1-794527-1	
1	3	1	1	794527-1	
MATERIAL		FINISH		MATERIAL	COLOR
PIN		HOUSING		ASSEMBLY	



THIS DRAWING IS A CONTROLLED DOCUMENT.		DWN	S. HOOVER	02-MAR-2005	 TE Connectivity
DIMENSIONS:		CHK	D. COLEY	02-MAR-2005	
mm [INCHES]		APVD	D. COLEY	02-MAR-2005	
TOLERANCES UNLESS OTHERWISE SPECIFIED:		NAME		PRODUCT SPEC	
0 PLC	±	APPLICATION SPEC		WEIGHT	ASSEMBLY, HEADER, RIGHT ANGLE, 4 POSITION, W/PEGS, 94V-0 AMP-DUAC(TM) POWER CONNECTOR
1 PLC	± 0.2 [.01]	MATERIAL		SIZE	A2
2 PLC	± 0.13 [.005]	FINISH		CAGE CODE	00779
3 PLC	±	MATERIAL		DRAWING NO	C=794527
4 PLC	±	FINISH		RESTRICTED TO	
ANGLES	± 0° 30'	CUSTOMER DRAWING		SCALE	5:1
		SCALE		SHEET	1 of 1
		SCALE		REV	E1