



FEATURES/BENEFITS

- 5V tolerant inputs and outputs
- $10\mu\text{A}$ I_{CCQ} quiescent power supply current
- Hot insertable
- 2.0V–3.6V V_{CC} supply operation
- $\pm 24\text{mA}$ balanced output drive
- Power down high impedance inputs and outputs
- Input hysteresis for noise immunity
- Meets or exceeds JEDEC Standard 36 specifications
- Multiple power and ground pins for low noise
- Operating temperature range:
–40°C to 85°C
- Latch-up performance exceeds 500mA
- ESD performance:
Human body model > 2000V
Machine model > 200V
- Packages available:
20-pin QSOP
20-pin SOIC

DESCRIPTION

The LVC373A is an 8-bit buffered latch with three-state outputs that is ideal for driving high capacitance loads such as memory address and data buses. The 3.3V LVC family features low power, low switching noise, and fast switching speeds for low power portable applications as well as high-end, advanced workstation applications. 5V tolerant inputs and outputs allow this LVC product to be used in mixed 5V and 3.3V applications. To accommodate hot-plug or live insertion applications, this product is designed not to load an active bus when V_{CC} is removed.

Figure 1. Functional Block Diagram

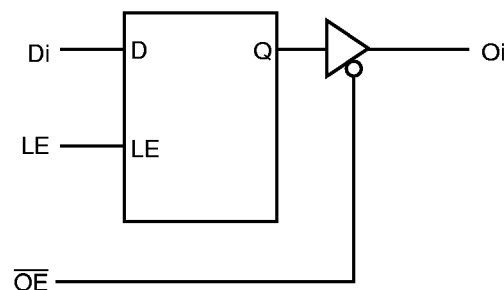


Figure 2. Pin Configurations
(All Pins Top View)

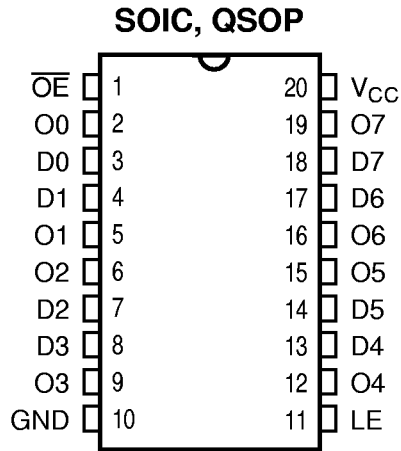


Table 1. Pin Description

| Name | I/O | Description |
|-----------------|-----|---------------|
| Di | I | Data Inputs |
| Oi | O | Data Outputs |
| LE | I | Latch Enable |
| \overline{OE} | I | Output Enable |

Table 2. Function Table

| Inputs | | | Internal Q Value | Outputs | | Function |
|-----------------|----|----|---------------------|---------|-----------------|----------|
| \overline{OE} | LE | Di | | Oi | | |
| H | X | X | X | Hi-Z | Disable Outputs | |
| L | L | X | H | H | Enable Outputs | |
| L | L | X | L | L | | |
| L | H | L | L | L | Pass Inputs | |
| L | H | H | H | H | | |
| L | L | X | Q | Q | Hold Prior Data | |

Table 3. Absolute Maximum Ratings

| | |
|---|--------------------------|
| Supply Voltage to Ground | -0.5V to 7.0V |
| DC Output Voltage V_{OUT} | |
| Outputs HIGH-Z | -0.5V to 7.0V |
| Outputs Active | -0.5V to $V_{CC} + 0.5V$ |
| DC Input Voltage V_{IN} | -0.5V to 7.0V |
| DC Input Diode Current with $V_{IN} < 0$ | -50mA |
| DC Output Diode Current | |
| $V_O < 0$ | -50mA |
| $V_O > V_{CC}$ | 50mA |
| DC Output Source/Sink Current (I_{OH}/I_{OL}) | $\pm 50mA$ |
| DC Supply Current per Supply Pin | $\pm 100mA$ |
| DC Ground Current per Ground Pin | $\pm 100mA$ |
| T_{STG} Storage Temperature | -65°C to 150°C |

Note: Stresses greater than those listed under ABSOLUTE MAXIMUM RATINGS may cause permanent damage to this device resulting in functional or reliability type failures.

Table 4. Recommended Operating Conditions

| Symbol | Parameter | Min | Max | Unit | |
|------------------|-------------------------------------|----------------------------|-----------------|------|----|
| V _{CC} | Supply Voltage, Operating | 2.0 | 3.6 | V | |
| | Supply Voltage, Data Retention Only | 1.5 | 3.6 | | |
| V _{IH} | Input HIGH Voltage | 2.0 | — | V | |
| V _{IL} | Input LOW Voltage | — | 0.8 | V | |
| V _{IN} | Input Voltage | 0 | 5.5 | V | |
| V _{OUT} | Output Voltage in Active State | 0 | V _{CC} | V | |
| | Output Voltage in "OFF" State | 0 | 5.5 | | |
| I _{OH} | Output Current HIGH | V _{CC} = 3.0–3.6V | — | –24 | mA |
| | | V _{CC} = 2.7V | — | –12 | |
| I _{OL} | Output Current LOW | V _{CC} = 3.0–3.6V | — | 24 | mA |
| | | V _{CC} = 2.7V | — | 12 | |
| Δt/Δv | Input Transition Slew Rate | — | 10 | ns/V | |
| T _A | Operating Free Air Temperature | –40 | 85 | °C | |

Table 5. DC Electrical Characteristics Over Operating Range

Industrial Temperature Range, T_A = –40°C to 85°C

| Symbol | Parameter | Test Conditions | Min | Typ ⁽¹⁾ | Max | Unit |
|------------------|---|---|-----------------------|--------------------|------|------|
| V _{OH} | Output HIGH Voltage | V _{CC} = 2.7V, I _{OH} = –100μA | V _{CC} – 0.2 | — | — | V |
| | | V _{CC} = 2.7V, I _{OH} = –12mA | 2.2 | — | — | |
| | | V _{CC} = 3.0V, I _{OH} = –12mA | 2.4 | — | — | |
| | | V _{CC} = 3.0V, I _{OH} = –24mA | 2.2 | — | — | |
| V _{OL} | Output LOW Voltage | V _{CC} = 2.7V, I _{OL} = 100μA | — | — | 0.2 | V |
| | | V _{CC} = 2.7V, I _{OL} = 12mA | — | — | 0.4 | |
| | | V _{CC} = 3.0V, I _{OL} = 24mA | — | — | 0.55 | |
| V _{IK} | Input Clamp Voltage | V _{CC} = 2.7V, I _{IN} = –18mA | — | –0.7 | –1.2 | V |
| I _I | Input Leakage Current | V _I = 0V, V _I = 5.5V, V _{CC} = 3.6V | — | — | ±1.0 | μA |
| I _{OZ} | High-Z I/O Leakage | V _O = 0V, V _O = 5.5V, V _I = V _{IH} or V _{IL} , V _{CC} = 3.6V | — | — | ±1.0 | μA |
| I _{OFF} | Power Off Leakage | V _{CC} = 0V, V _I or V _O = 5.5V | — | — | 10 | μA |
| I _{CC} | Quiescent Power Supply Current | V _{CC} = 3.6V, V _{IN} = V _{CC} or GND | — | 0.1 | 10 | μA |
| ΔI _{CC} | Quiescent Power Supply Current per Inputs at TTL HIGH | V _{CC} = 3.6V, V _{IN} = V _{CC} – 0.6V ⁽²⁾ | — | 2.0 | 3.0 | μA |

Notes:

1. Typical values are at V_{CC} = 3.3V and T_A = 25°C.
2. Per TTL driven input. All other inputs at V_{CC} or GND.

Table 6. Dynamic Switching Characteristics

| Symbol | Parameter | Test Conditions | | Typ ⁽¹⁾ | Unit |
|------------------|---|--|--|--------------------|------|
| V _{OLP} | Quiet Output Dynamic Peak V _{OL} | C _L = 50pF, V _{CC} = 3.3V | V _{IH} = 3.3V, V _{IL} = 0V | 0.8 | V |
| V _{OLV} | Quiet Output Dynamic Valley V _{OL} | C _L = 50pF, V _{CC} = 3.3V | V _{IH} = 3.3V, V _{IL} = 0V | 0.8 | V |
| C _{PD} | Power Dissipation | C _L = 50pF, f = 10MHz, V _{CC} = 3.3 ±0.3V | Output Enable | 20 | pF |
| | | | Output Disable | 4 | |

Note:

1. Typical values are at V_{CC} = 3.3V, 25°C ambient.

Table 7. Capacitance⁽¹⁾

| Symbol | Pins | Conditions | Typ | Unit |
|------------------|-------------------|---|-----|------|
| C _{IN} | Input Capacitance | V _{IN} = 0V, V _{OUT} = 0V, f = 1MHz | 7.0 | pF |
| C _{I/O} | I/O Capacitance | V _{IN} = 0V, V _{OUT} = 0V, f = 1MHz | 8.0 | pF |

Note:

1. Capacitance is characterized but not production tested.

Table 8. Switching Characteristics Over Operating Range

Industrial Temperature Range, T_A = -40°C to 85°C.

C_{LOAD} = 50pF, R_{LOAD} = 500Ω unless otherwise noted.

| Symbol | Description ⁽¹⁾ | V _{CC} = 3.3 ±0.3V | | V _{CC} = 2.7V ⁽²⁾ | | Unit |
|--------------------|--|-----------------------------|-----|---------------------------------------|-----|------|
| | | Min | Max | Min | Max | |
| t _{PD} | Propagation Delay Di to Oi | 1.5 | 6.8 | 1.5 | 7.8 | ns |
| | Propagation Delay LE to Oi | 1.5 | 7.6 | 1.5 | 8.2 | ns |
| t _{EN} | Output Enable Time OE to Oi | 1.5 | 7.7 | 1.5 | 8.7 | ns |
| t _{DIS} | Output Disable Time OE to Oi ⁽²⁾ | 1.5 | 7.0 | 1.5 | 7.6 | ns |
| t _S | Data Setup Time Di to LE, HIGH to LOW | 2.0 | — | 2.0 | — | ns |
| t _H | Data Hold Time Di to LE, HIGH to LOW | 1.5 | — | 1.5 | — | ns |
| t _W | LE Pulse Width HIGH or LOW ⁽²⁾ | 3.3 | — | 3.3 | — | ns |
| t _{SK(O)} | Output Skew ⁽³⁾ | — | 0.5 | — | — | ns |

Notes:

1. Minimums guaranteed but not tested. See Test Circuit and Waveforms.
2. Guaranteed by characterization.
3. Skew between any two outputs of the same package switching in the same direction. This parameter is guaranteed by characterization but not production tested.

TEST CIRCUIT AND WAVEFORMS

Figure 3. Test Circuit

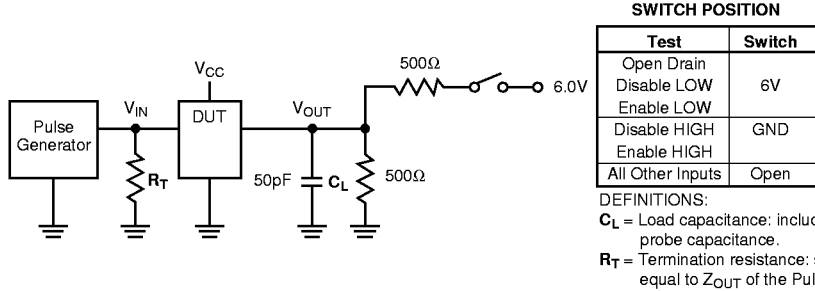


Figure 4. Setup, Hold, and Release Timing

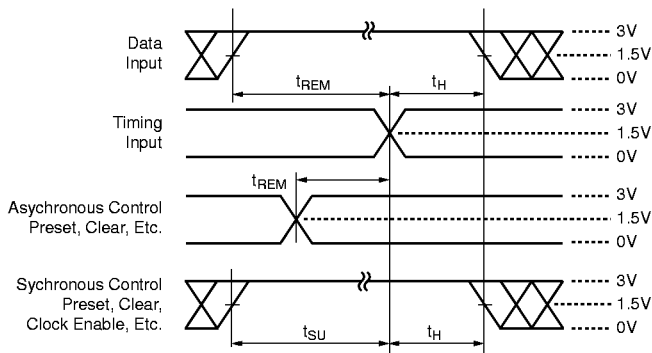


Figure 6. Pulse Width

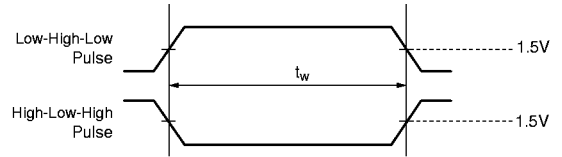
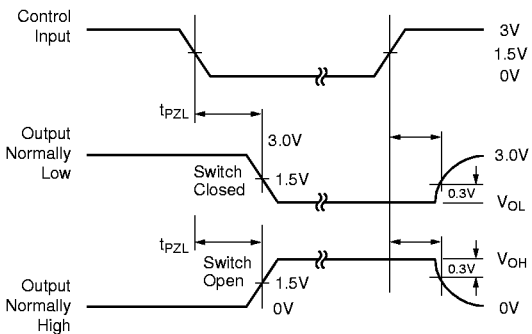


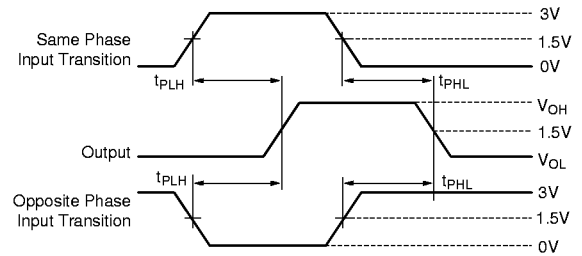
Figure 5. Enable and Disable Timing



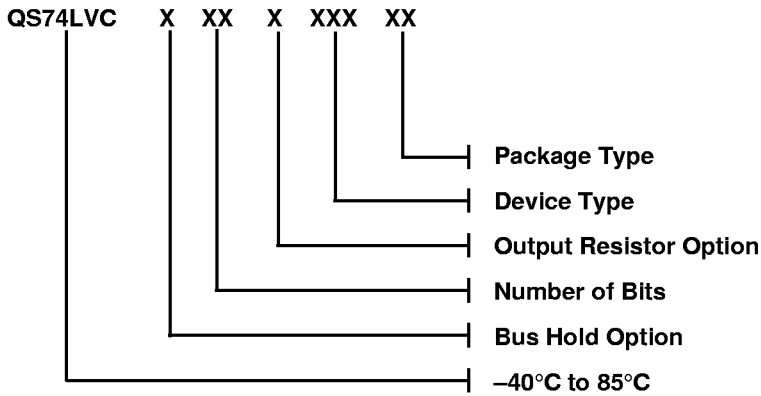
Notes:

1. Input Control Enable = LOW and Input Control Disable = HIGH.
2. Pulse Generator for All Pulses: Rate \leq 1.0MHz;
 $Z_{OUT} \leq 50\Omega$; $t_F, t_R \leq 2.5ns$.

Figure 7. Propagation Delay



ORDERING INFORMATION



Bus Hold Option:
Blank – No Bus Hold

Number of Bits:
Blank – 8-Bit

Output Resistor Option:
Blank – No Output Resistor

Device Type:
373

Package Type:
Q – QSOP, 150 mil
SO – SOIC, 300 mil