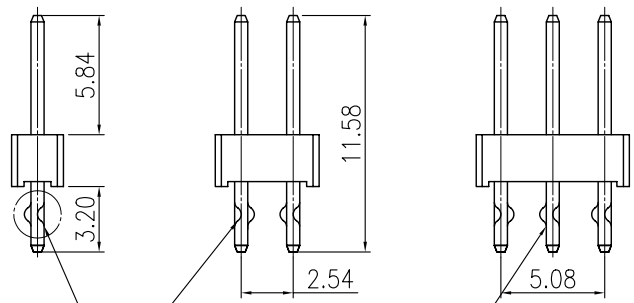
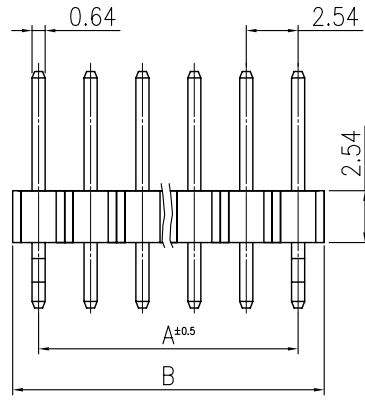


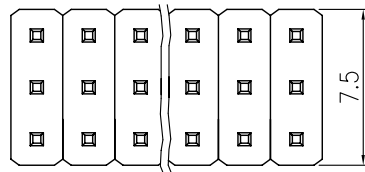
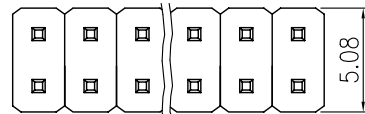
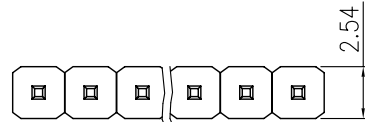
V1.1

REVISIONS							
SYM	DISCRPTION	DATE	APPROVED	SYM	DISCRPTION	DATE	APPROVED
△				△			
△				△			

****CUSTOMER DRAWING FOR REFERENCE ONLY, SAMPLES APPROVAL ARE REQUIRED!!**



OPTION: KINKED LEGS



SPECIFICATION
 CURRENT RATING : 3 A
 INSULATOR RESISTANCE: 5000MΩ MIN.
 DIELECTRIC WITHSTANDING : AC 500V.
 OPERATING TEMPERATURE: -40°C~+105°C.
 CONTACT MATERIAL : BRASS
 INSULATOR MATERIAL : STANDARD : P.B.T
 FINISH : GOLD FLASH

ORDER INFORMATION:
 PHa026-PXX0XGf
 PH: PIN HEADER
 α: 2.54mmX2.54mm PITCH
 026: SERIES NO.
 P: PCB TYPE STRAIGHT
 XX: NO. OF PINS PER ROW
 GX: NO. OF ROW
 OF: TERMINAL PLATING, GOLD FLUSH
 K: KINKED PINS(OPTION)

PART NO.	CIRCUITS	DIMENSION	
		A	B
PHa026-P020_Gf	_X2	2.54	5.08
PHa026-P030_Gf	_X3	5.08	7.62
PHa026-P040_Gf	_X4	7.62	10.16
PHa026-P050_Gf	_X5	10.16	12.70
PHa026-P060_Gf	_X6	12.70	15.24
PHa026-P070_Gf	_X7	15.24	17.78
PHa026-P080_Gf	_X8	17.78	20.32
PHa026-P090_Gf	_X9	20.32	22.86
PHa026-P100_Gf	_X10	22.86	25.40
PHa026-P110_Gf	_X11	25.40	27.94
PHa026-P120_Gf	_X12	27.94	30.48
PHa026-P130_Gf	_X13	30.48	33.02
PHa026-P140_Gf	_X14	33.02	35.56
PHa026-P150_Gf	_X15	35.56	38.10
PHa026-P160_Gf	_X16	38.10	40.64
PHa026-P170_Gf	_X17	40.64	43.18
PHa026-P180_Gf	_X18	43.18	45.72
PHa026-P190_Gf	_X19	45.72	48.26
PHa026-P200_Gf	_X20	48.26	50.80
PHa026-P210_Gf	_X21	50.80	53.34
PHa026-P220_Gf	_X22	53.34	55.88
PHa026-P230_Gf	_X23	55.88	58.42
PHa026-P240_Gf	_X24	58.42	60.96
PHa026-P250_Gf	_X25	60.96	63.50
PHa026-P260_Gf	_X26	63.50	66.04
PHa026-P270_Gf	_X27	66.04	68.58
PHa026-P280_Gf	_X28	68.58	71.12
PHa026-P290_Gf	_X29	71.12	73.66
PHa026-P300_Gf	_X30	73.66	76.20
PHa026-P310_Gf	_X31	76.20	78.74
PHa026-P320_Gf	_X32	78.74	81.28
PHa026-P330_Gf	_X33	81.28	83.82
PHa026-P340_Gf	_X34	83.82	86.36
PHa026-P350_Gf	_X35	86.36	88.90
PHa026-P360_Gf	_X36	88.90	91.44
PHa026-P370_Gf	_X37	91.44	93.98
PHa026-P380_Gf	_X38	93.98	96.52
PHa026-P390_Gf	_X39	96.52	99.06
PHa026-P400_Gf	_X40	99.06	101.6

TOLERANCES UNLESS OTHERWISE SPECIFIED ±0.25			SIGNATURES		DATE	MODEL
			DRAWN	TONY	29/NOV/02'	TITLE
SYMBOL UNIT SCALE △ mm 4/1			CHECKED	ZOLA	29/NOV/02'	NO.
			APPROVALS			PHa026-P__0_Gf
MMT CORPORATION						