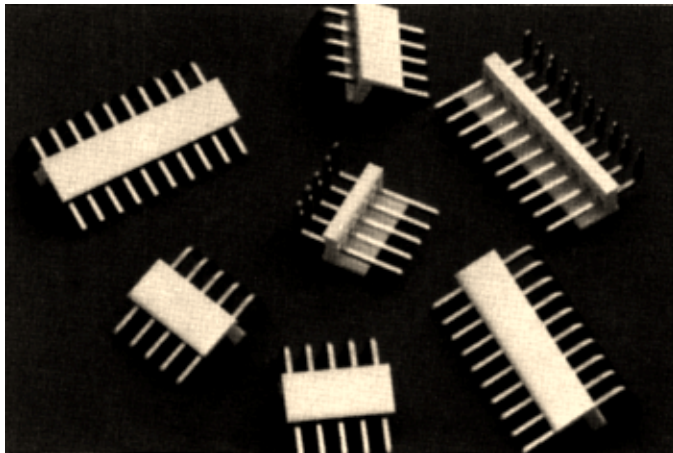


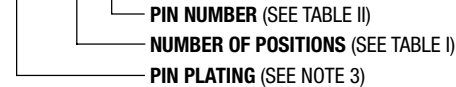
# .156" (3.96mm) Single Row, Through Hole, Right Angle, Top Polarizing Headers



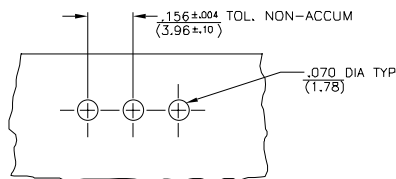
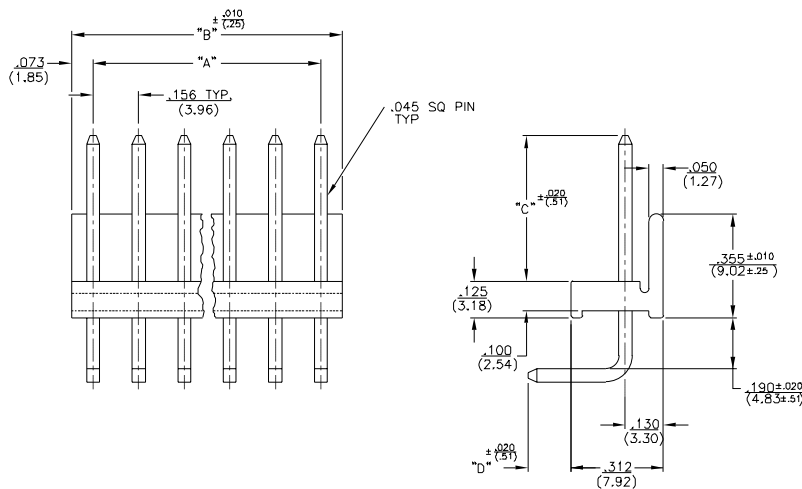
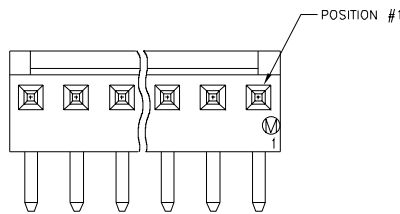
## 3100 SERIES ("TERMACON")

PART NUMBER LEGEND

310X-7-1XX-XX



**MATING CONNECTORS: 3000 SERIES AND 3300 SERIES CRIMP OR IDC STYLE CONNECTORS**



RECOMMENDED P.C. BOARD LAYOUT

### NOTES:

- 1) INSULATOR MATERIAL: POLYESTER UL 94V-0
- 2) CONTACT MATERIAL: 70/30 BRASS
- 3) CONTACT FINISH: 3100-TIN/LEAD OVER NICKEL PLATE  
3102-.000015 GOLD PLATE OVER  
.000030 NICKEL PLATE

TABLE I			
PART No.	No. of POS	DIM "A"	DIM "B"
310X-7-102-XX	2	.156/(3.96)	.302/(7.67)
↑ -103- ↑	3	.312/(7.92)	.458/(11.63)
-104-	4	.468/(11.89)	.614/(15.60)
-105-	5	.624/(15.85)	.770/(19.56)
-106-	6	.780/(19.81)	.926/(23.52)
-107-	7	.936/(23.77)	1.082/(27.48)
-108-	8	1.092/(27.74)	1.238/(31.45)
-109-	9	1.248/(31.70)	1.394/(35.41)
-110-	10	1.404/(35.66)	1.550/(39.37)
-111-	11	1.560/(39.62)	1.706/(43.33)
-112-	12	1.716/(43.59)	1.862/(47.29)
-113-	13	1.872/(47.55)	2.018/(51.26)
-114-	14	2.028/(51.51)	2.174/(55.22)
-115-	15	2.184/(55.47)	2.330/(59.18)
-116-	16	2.340/(59.45)	2.486/(63.14)
-117-	17	2.496/(63.40)	2.642/(67.11)
-118-	18	2.652/(67.36)	2.798/(71.07)
-119-	19	2.808/(71.32)	2.954/(75.03)
-120-	20	2.964/(75.29)	3.110/(78.99)
-121-	21	3.120/(79.25)	3.266/(82.96)
-122-	22	3.276/(83.21)	3.422/(86.92)
↓ -123- ↓	23	3.432/(87.17)	3.578/(90.88)
310X-7-124-XX	24	3.588/(91.14)	3.734/(94.84)

TABLE II		
PART NO.	DIM "C"	DIM "D"
310X-7-1XX-01	.50/(12.7)	.170/(4.32)
310X-7-1XX-02	.75/(19.1)	.170/(4.32)
310X-7-1XX-03	.50/(12.7)	.130/(3.30)