

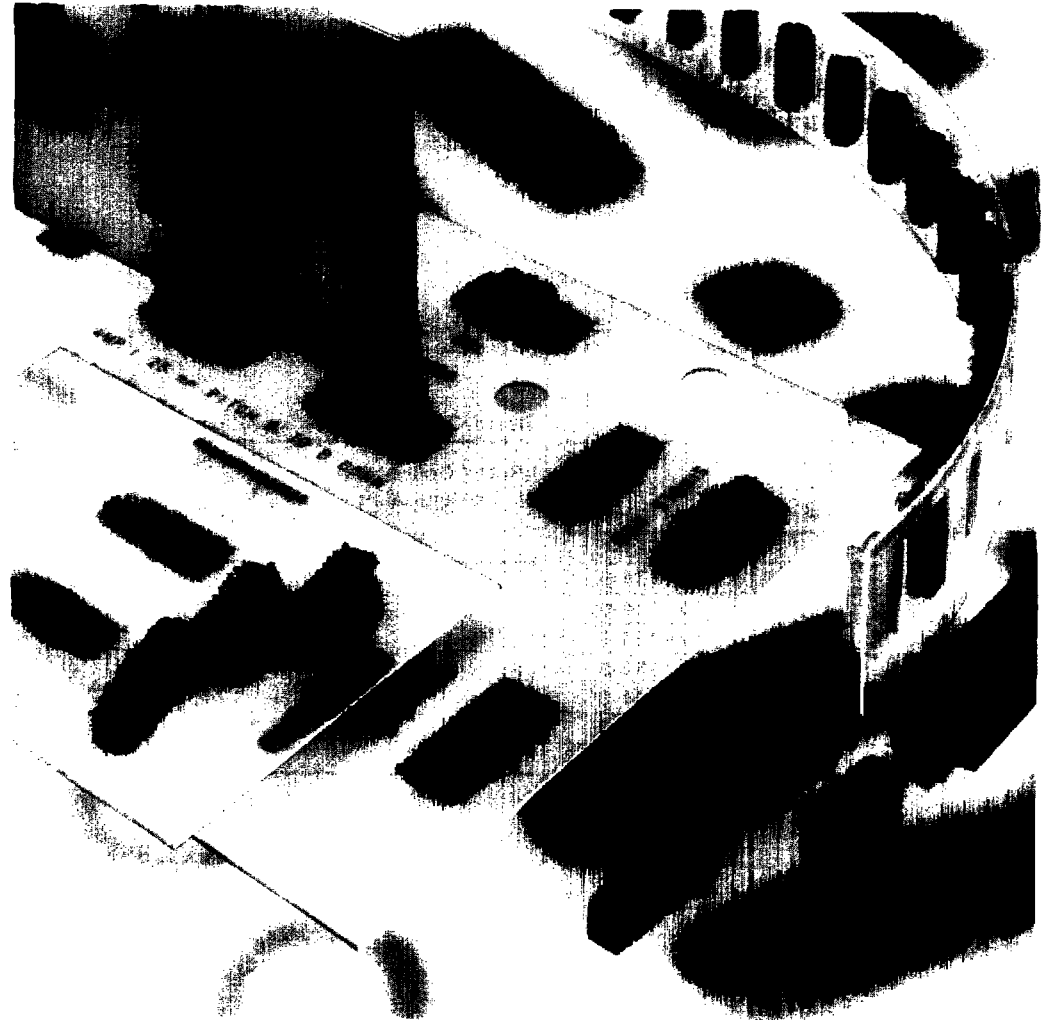
## Board to Board Connectors

### AMP 1.25mm F-P Board-to-Board Connectors

#### Features

- Economical board-to-board interconnection connector of ultra-lightweight and ultra-thin construction.
- Single-row and dual-row versions available, enabling either parallel or right-angle interconnection of boards by way of receptacle header mating with post header.
- Loose-piece and reel-mounted products for automatic board packaging.
- Accepts 0.6-to 0.8mm-thick glass-epoxy boards.
- Two mounting styles — solder dip-mounting and SMT (surface-mounting type); contacts are on a 1.25mm pitch for ultra-high-density packaging.
- Designed for the highest reliability and economy of board interconnection.

Today, the electronics industry is faced with an ever-growing demand for not only miniaturization of component parts for equipment, but also improved productivity through automatic packaging and the resultant reduction of equipment cost in order to keep pace with the fast-progressing market trends towards lighter, thinner, shorter and smaller products as seen in various portable equipment such as the camera-incorporated VTR. AMP 1.25mm F-P Connectors have been developed as an ultra-high-density board-to-board interconnection connector that can meet all of these industry requirements and has the best adaptability to packaging



The connector is offered in two versions, single-row and dual-row connectors. Both are available in two configurations. One is a DIP-type which is mounted into the board holes by soldering and the other is a SMT-type (surface-mounting type) which can effectively utilize both front and back sides of the board to package more electronic components in the form of chips and increase the board's versatility. The connector consists of a receptacle header and a post header. The receptacle header comes in two styles, horizontal mounting and vertical mounting. The horizontal-mounting

receptacle header mates with a post header (vertical mounting) and interconnects boards at a right angle, while the vertical-mounting receptacle header interconnects boards in parallel. For the SMT type connectors, receptacle headers are tape-mounted and wound on a reel to be compatible with automatic tape-packaging machines used for other chip components. The post header is of a vertical-mounting type and available as both loose-pieces and PVC-encased parts. There is also an intermediary post header version which accepts a variety of receptacles at both ends.

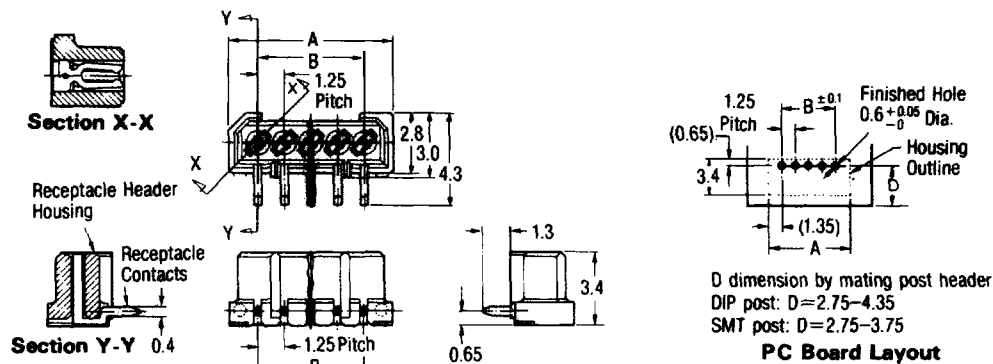
#### Performance Data

- Rated voltage:** 50V AC/DC
- Rated current:** 0.5A
- Low-level resistance:** 10m $\Omega$ , max. (initial)
- Insulation resistance:** 500M $\Omega$ , min.
- Withstanding voltage:** 500V for 1 minute
- Operating temperature:** -30~+105°C  
The upper-limit temperature includes a temperature rise generated by load current.
- Contact retention:** 500g, min. (per circuit)
- Product Specification:** 108-5246
- Acceptable board thick:**  
DIP-type=0.6~0.8mm  
SMT-type=0.6mm/min.

**Board to Board Connectors**  
**AMP 1.25mm F-P Board to Board Connectors**  
**Single-Row Receptacle Headers**

**DIP-type**  
**Horizontal Mounting**  
**<For Right-angle**  
**Board Connection>**

**Material and Finish:**  
 Housing—UL94V-0 rated,  
 P.P.S. resin, black.  
 Contact—0.3mm thick  
 phosphor bronze, tin-lead  
 plated.

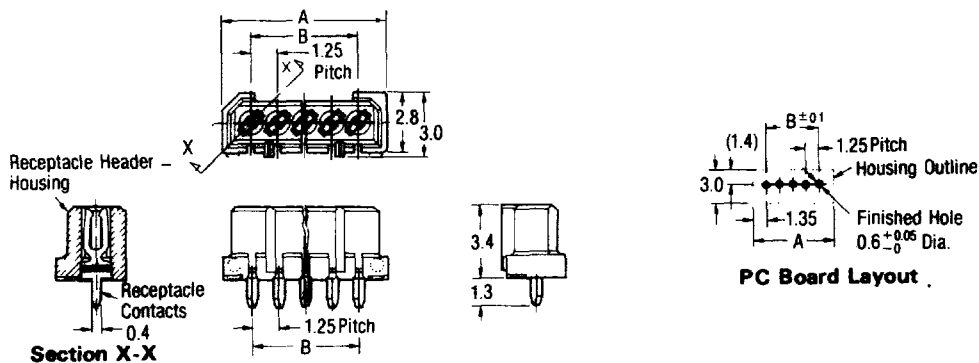


**Board Connection Configuration and Height when Mated with Mating Post Header.**

No. of Pos.	Dimensions		Part No. of Receptacle Header (Loose Piece)	Board Connection Configuration	Part No. of Mating Post Header	Dimension "H" in Relation to "C" when Mated with Post Header (Position)	
	A	B				C=3.95 (4, 5, 6, 7, 8, 10)	C=5.95 (8, 17, 20)
4	6.45	3.75	<b>174634-4</b>	 Right-angle	<b>174642</b> <b>174644</b> <b>174820</b>	5.0	7.0
5	7.70	5.00	<b>174634-5</b>				
6	8.95	6.25	<b>174634-6</b>				
7	10.20	7.50	<b>174634-7</b>				
8	11.45	8.75	<b>174634-8</b>				
10	13.95	11.25	<b>1-174634-0</b>				
17	22.70	20.00	<b>1-174634-7</b>				
20	26.45	23.75	<b>2-174634-0</b>				

**DIP-type**  
**Vertical Mounting**  
**<For Parallel**  
**Board Connection>**

**Material and Finish:**  
 Housing—UL94V-0 rated,  
 P.P.S. resin, black.  
 Contact—0.3mm thick  
 phosphor bronze, tin-lead  
 plated.



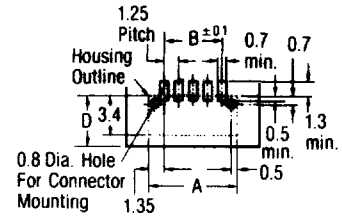
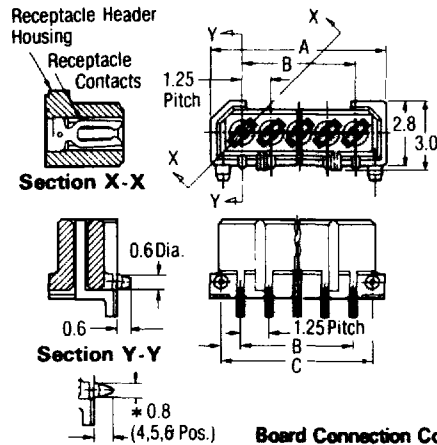
**Board Connection Configuration and Height when Mated with Mating Post Header.**

No. of Pos.	Dimensions		Part No. of Receptacle Header (Loose Piece)	Board Connection Configuration	Part No. of Mating Post Header	Dimension "H" in Relation to "C" when Mated with Post Header (Position)	
	A	B				C=3.95 (4, 5, 6, 7, 8, 10)	C=5.95 (8, 17, 20)
4	6.45	3.75	<b>174633-4</b>	 Parallel	<b>174642</b> <b>174644</b> <b>174820</b>	5.0	7.0
5	7.70	5.00	<b>174633-5</b>				
6	8.95	6.25	<b>174633-6</b>				
7	10.20	7.50	<b>174633-7</b>				
8	11.45	8.75	<b>174633-8</b>				
10	13.95	11.25	<b>1-174633-0</b>				
17	22.70	22.00	<b>1-174633-7</b>				
20	26.45	23.75	<b>2-174633-0</b>				

**Board to Board Connectors**  
**AMP 1.25mm F-P Board to Board Connectors**  
**Single-Row Receptacle Headers (Cont'd)**

**SMT-type**  
**Horizontal Mounting**  
**(With Mounting Bosses)**  
**<For Right-angle Board Connection>**

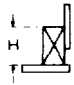
**Material and Finish:**  
 Housing—UL94V-0 rated, P.P.S. resin, black.  
 Contact—0.3mm thick phosphor bronze, tin-lead plated.



D dimension by mating post header  
 DIP post: D=3.40-5.00  
 SMT post: D=3.40-4.40  
**PC Board Layout**

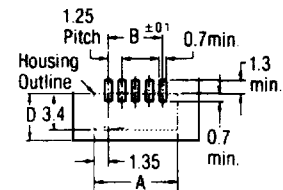
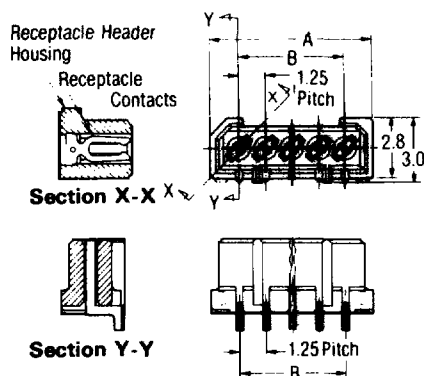
No. of Pos.	Dimensions			Part No. of Receptacle Header	
	A	B	C	Loose Piece	Reel-mounted(ea.)
4	6.45	3.75	5.45	3-174638-4	3-175637-4(1500)
5	7.70	5.00	6.70	3-174638-5	3-175637-5(1500)
6	8.95	6.25	7.95	3-174638-6	3-175637-6(1500)
7	10.20	7.50	9.20	3-174638-7	3-175637-7(1500)
8	11.45	8.75	10.45	3-174638-8	3-175637-8(1000)
10	13.95	11.25	12.95	4-174638-0	4-175637-0(1000)
17	22.70	20.00	21.70	4-174638-7	---
20	26.45	23.75	25.45	5-174638-0	---

**Board Connection Configuration and Height when Mated with Mating Post Header.**

Board Connection Configuration	Part No. of Mating Post Header	Dimension "H" in Relation to "C" when Mated with Post Header (Pos.)	
		C=3.95 (4,5,6,7,8,10)	C=5.95 (8,17,20)
Right-angle 	174642		
	174644	5.8	7.8
	174820		

**SMT-type**  
**Horizontal Mounting**  
**(Without Mounting Bosses)**  
**<For Right-angle Board Connection>**

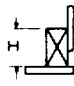
**Material and Finish:**  
 Housing—UL94V-0 rated P.P.S. resin, black.  
 Contact—0.3mm thick phosphor bronze, tin-lead plated.



Q dimension by mating post header  
 DIP post: D=3.40-5.00  
 SMT post: D=3.40-4.40  
**PC Board Layout**

No. of Pos.	Dimensions		Part No. of Receptacle Header	
	A	B	Loose Piece	Reel-mounted(ea.)
4	6.45	3.75	3-174903-4	3-175629-4(1500)
5	7.70	5.00	3-174903-5	3-175629-5(1500)
6	8.95	6.25	3-174903-6	3-175629-6(1500)
7	10.20	7.50	3-174903-7	3-175629-7(1500)
8	11.45	8.75	3-174903-8	3-175629-8(1000)
10	13.95	11.25	4-174903-0	4-175629-0(1000)
17	22.70	20.00	4-174903-7	---
20	26.45	23.75	5-174903-0	---

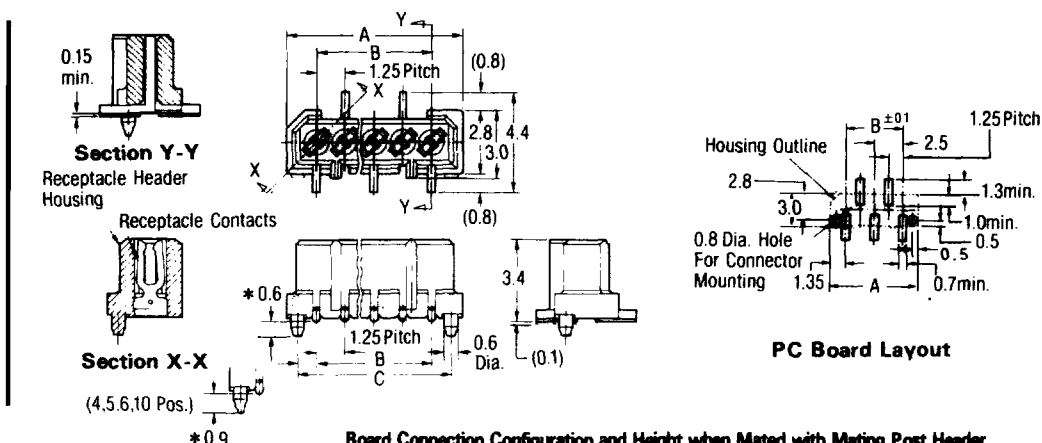
**Board Connection Configuration and Height when Mated with Mating Post Header.**

Board Connection Configuration	Part No. of Mating Post Header	Dimension "H" in Relation to "C" when Mated with Post Header (Pos.)	
		C=3.95 (4,5,6,7,8,10)	C=5.95 (8,17,20)
Right-angle 	174642		
	174644	5.8	7.8
	174820		

## Board to Board Connectors AMP 1.25mm F-P Board to Board Connectors Single-Row Receptacle Headers (Cont'd)

### SMT-type Vertical Mounting (With Mounting Bosses) <For Parallel Board Connection>

**Material and Finish:**  
Housing—UL94V-0 rated,  
P.P.S. resin, black.  
Contact—0.3mm thick  
phosphor bronze, tin-lead  
plated.



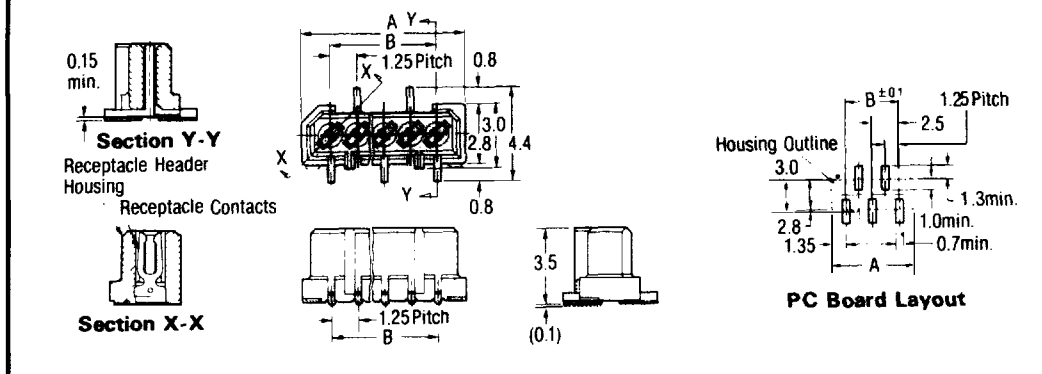
No. of Pos.	Dimensions			Part No. of Receptacle Header	
	A	B	C	Loose Piece	Reel-mounted(ea.)
4	6.45	3.75	5.45	3-174637-4	3-175636-4(1500)
5	7.70	5.00	6.70	3-174637-5	3-175636-5(1500)
6	8.95	6.25	7.95	3-174637-6	3-175636-6(1500)
7	10.20	7.50	9.20	3-174637-7	3-175636-7(1500)
8	11.45	8.75	10.45	3-174637-8	3-175636-8(1000)
10	13.95	11.25	12.95	4-174637-0	4-175636-0(1000)
17	22.70	20.00	21.70	4-174637-7	—
20	26.45	23.75	25.45	5-174637-0	—

Board Connection Configuration and Height when Mated with Mating Post Header.

Board Connection Configuration	Part No. of Mating Post Header	Dimension "H" in Relation to "C" when Mated with Post Header (Pos.)	
		C=3.95 (4,5,6,7,8,10)	C=5.95 (8,17,20)
Parallel	174642 174644 174820	5.0	7.0

### SMT-type Vertical Mounting (Without Mounting Bosses) <For Parallel Board Connection>

**Material and Finish:**  
Housing—UL94V-0 rated,  
P.P.S. resin, black.  
Contact—0.3mm thick  
phosphor bronze, tin-lead  
plated.



Board Connection Configuration and Height when Mated with Mating Post Header.

No. of Pos.	Dimensions			Part No. of Receptacle Header	
	A	B	C	Loose Piece	Reel-mounted(ea.)
4	6.45	3.75	5.45	3-174902-4	3-175628-4(1500)
5	7.70	5.00	6.70	3-174902-5	3-175628-5(1500)
6	8.95	6.25	7.95	3-174902-6	3-175628-6(1500)
7	10.20	7.50	9.20	3-174902-7	3-175628-7(1500)
8	11.45	8.75	10.45	3-174902-8	3-175628-8(1000)
10	13.95	11.25	12.95	4-174902-0	4-175628-0(1000)
17	22.70	20.00	21.70	4-174902-7	—
20	26.45	23.75	25.45	5-174902-0	—

Board Connection Configuration	Part No. of Mating Post Header	Dimension "H" in Relation to "C" when Mated with Post Header (Pos.)	
		C=3.95 (4,5,6,7,8,10)	C=5.95 (8,17,20)
Parallel	174642 174644 174820	5.0	7.0

## Board to Board Connectors

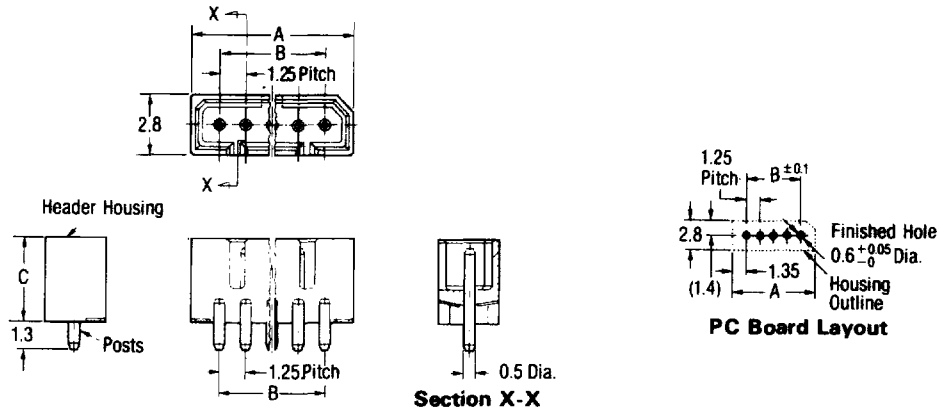
### AMP 1.25mm F-P Board to Board Connectors

#### Single-Row Post Headers (Cont'd)

#### DIP-type Vertical Mounting

##### Material and Finish:

Housing—UL94V-0 rated,  
P.P.S. resin, black.  
Contact—0.5mm dia. brass  
rod, tin-lead plated.



**Board Connection Configuration and Height when Mated with Mating Receptacle Header.**

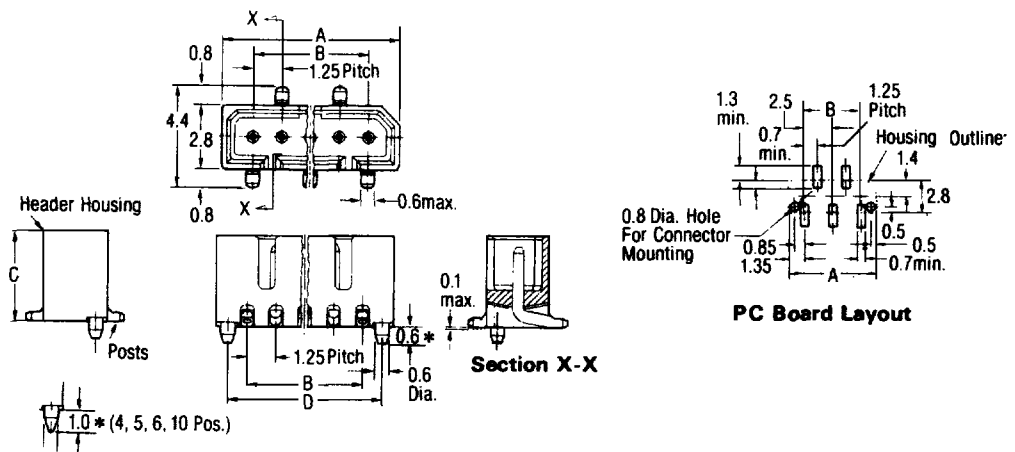
No. of Pos.	Dimensions			Part No. of Post Header (Loose Piece)
	A	B	C	
4	6.45	3.75	3.95	<b>3-174642-4</b>
5	7.70	5.00	3.95	<b>3-174642-5</b>
6	8.95	6.25	3.95	<b>3-174642-6</b>
7	10.20	7.50	3.95	<b>3-174642-7</b>
8	11.45	8.75	3.95	<b>3-174642-8</b>
			5.95	<b>6-174642-8</b>
10	13.95	11.25	3.95	<b>4-174642-0</b>
17	22.70	20.00	5.95	<b>7-174642-7</b>
20	26.45	23.75	5.95	<b>8-174642-0</b>

Board Connection Configuration	Part No. of Mating Receptacle Header	Dimension "H" in Relation to "C" when Mated with Post Header (Pos.)	
		C=3.95 (4,5,6,7,8,10)	C=5.95 (8,17,20)
Right-angle 	<b>174634</b>	5.0	7.0
	<b>174638</b>	5.8	7.8
	<b>174903</b>		
Parallel 	<b>174633</b>	5.0	7.0
	<b>174637</b>		
	<b>174902</b>		

#### SMT-type Vertical Mounting (With Mounting Bosses)

##### Material and Finish:

Housing—UL94V-0 rated,  
P.P.S. resin, black.  
Contact—0.5mm dia. brass  
rod, tin-lead plated.



**Board Connection Configuration and Height when Mated with Mating Receptacle Header.**

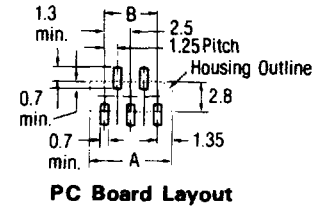
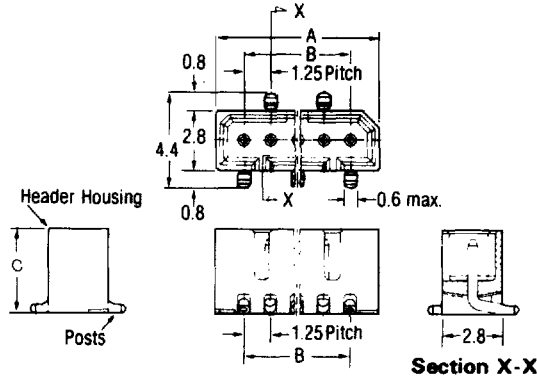
No. of Pos.	Dimensions				Part No. of Post Header	
	A	B	C	D	Loose Piece	Tube(s.)
4	6.45	3.75	3.95	5.45	<b>3-174820-4</b>	<b>3-175642-4(75)</b>
5	7.70	5.00	3.95	6.70	<b>3-174820-5</b>	<b>3-175642-5(60)</b>
6	8.95	6.25	3.95	7.95	<b>3-174820-6</b>	<b>3-175642-6(50)</b>
7	10.20	7.50	3.95	9.20	<b>3-174820-7</b>	<b>3-175642-7(45)</b>
					<b>3-174820-8</b>	<b>3-175642-8(40)</b>
8	11.45	8.75	3.95	10.45	<b>6-174820-8</b>	<b>6-175642-8(40)</b>
			5.95		<b>6-175642-8(40)</b>	
10	13.95	11.25	3.95	12.95	<b>4-174820-0</b>	<b>4-175642-0(30)</b>
17	22.70	20.00	5.95	21.70	<b>7-174820-7</b>	<b>7-175642-7(20)</b>
20	26.45	23.75	5.95	25.45	<b>8-174820-0</b>	<b>8-175642-0(15)</b>

Board Connection Configuration	Part No. of Mating Receptacle Header	Dimension "H" in Relation to "C" when Mated with Post Header (Pos.)	
		C=3.95 (4,5,6,7,8,10)	C=5.95 (8,17,20)
Right-angle 	<b>174634</b>	5.0	7.0
	<b>174638</b>	5.8	7.8
	<b>174903</b>		
Parallel 	<b>174633</b>	5.0	7.0
	<b>174637</b>		
	<b>174902</b>		

**Board to Board Connectors**  
**AMP 1.25mm F-P Board to Board Connectors**  
**Single-row Post Headers (Cont'd)**

**SMT-type**  
**Vertical Mounting**  
**(Without Mounting Bosses)**

**Material and Finish:**  
 Housing—UL94V-0 rated,  
 P. P. S. resin, black.  
 Contact—0.5mm dia. brass  
 rod, tin-lead plated.



No. of Pos.	Dimensions			Part No. of Post Header	
	A	B	C	Loose Piece	Tube(ea.)
4	6.45	3.75	3.95	<b>3-174644-4</b>	<b>3-175634-4(75)</b>
5	7.70	5.00	3.95	<b>3-174644-5</b>	<b>3-175634-5(60)</b>
6	8.95	6.25	3.95	<b>3-174644-6</b>	<b>3-175634-6(50)</b>
7	10.20	7.50	3.95	<b>3-174644-7</b>	<b>3-175634-7(45)</b>
8	11.45	8.75	3.95	<b>3-174644-8</b>	<b>3-175634-8(40)</b>
			5.95	<b>6-174644-8</b>	<b>6-175634-8(40)</b>
10	13.95	11.25	3.95	<b>4-174644-0</b>	<b>4-175634-0(30)</b>
17	22.70	20.00	5.95	<b>7-174644-7</b>	<b>7-175634-7(20)</b>
20	26.45	23.75	5.95	<b>8-174644-0</b>	<b>8-175634-0(15)</b>

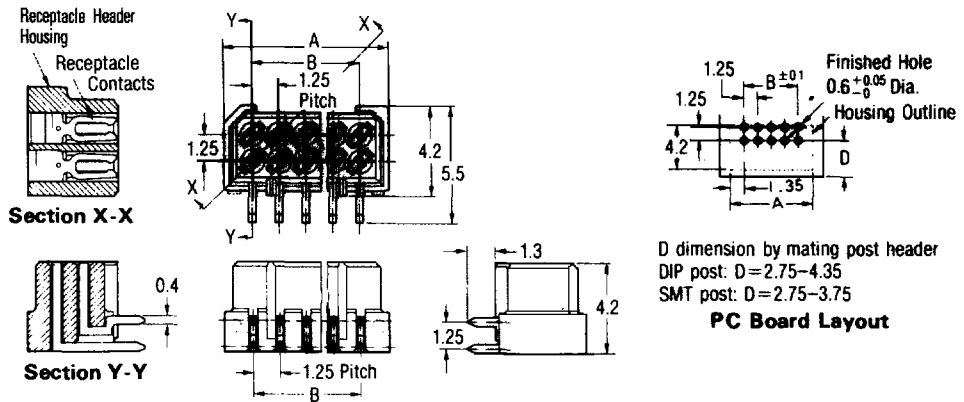
**Board Connection Configuration and Height when Mated with Mating Receptacle Header.**

Board Connection Configuration	Part No. of Mating Receptacle Header	Dimension "H" in Relation to "C" when Mated with Post Header (Pos.)	
		C=3.95 (4,5,6,7,8,10)	C=5.95 (8,17,20)
Right-angle 	<b>174634</b>	5.0	7.0
	<b>174638</b>	5.8	7.8
	<b>174903</b>		
Parallel 	<b>174633</b>	5.0	7.0
	<b>174637</b>		
	<b>174902</b>		

**Board to Board Connectors**  
**AMP 1.25mm F-P Board to Board Connectors**  
**Dual-Row Receptacle Headers**

**DIP-type**  
**Horizontal Mounting**  
**<For Right-angle Board Connection>**

**Material and Finish:**  
 Housing—UL94V-0 rated, P.P.S., resin, black.  
 Contact—0.3mm thick phosphor bronze, tin-lead plated.



D dimension by mating post header  
 DIP post: D=2.75-4.35  
 SMT post: D=2.75-3.75  
**PC Board Layout**

**Board Connection Configuration and Height when Mated with Mating Post Header.**

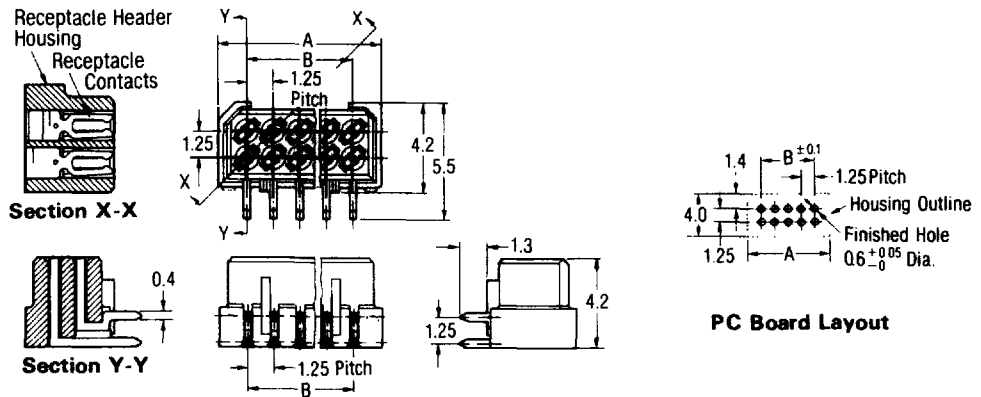
No. of Pos.	Dimensions		Part No. of Receptacle Header (Loose Piece)
	A	B	
6	5.20	2.50	<b>174636-6</b>
10	7.70	5.00	<b>1-174636-0</b>
12	8.95	6.25	<b>1-174636-2</b>
14	10.20	7.50	<b>1-174636-4</b>
16	11.45	8.75	<b>1-174636-6</b>
18	12.70	10.00	<b>1-174636-8</b>
20	13.95	11.25	<b>2-174636-0</b>
22	15.20	12.50	<b>2-174636-2</b>
24	16.45	13.75	<b>2-174636-4</b>

Board Connection Configuration	Part No. of Mating Post Header	Dimension "H" in Relation to "C" when Mated with Post Header (Pos.)						
		C=3.95 (6,10,12,14,16,18,20,22,24)	C=5.45 (14,16,20)	C=5.95 (12,16)	C=6.85 (24)	C=8.85 (22,24)	C=9.35 (12,18,22)	C=10.7 (10)
Right-angle	<b>174643</b>	5.8	—	7.8	—	—	—	—
	<b>174645</b>	5.8	7.3	7.8	—	—	—	
	<b>174821</b>	5.8	7.3	7.8	—	—	—	
	<b>176140</b>	—	7.3	—	—	10.8	—	
	<b>176769</b>	—	—	—	—	10.8	—	
	<b>176756</b>	—	—	—	8.8	—	11.3	
	<b>176757</b>	—	—	—	—	—	—	
	<b>175699</b>	—	—	—	—	—	—	

\* Intermediary post header to accept receptacle header on both sides.  
 Connecting configuration and mating height vary depending on opposite receptacles.  
 For details, consult with our Sales Dept.

**Short-rib**  
**DIP-type**  
**Horizontal Mounting**  
**<For Right-angle Board Connection>**

**Material and Finish:**  
 Housing—UL94V-0 rated, P.P.S., resin, black.  
 Contact—0.3mm thick phosphor bronze, tin-lead plated.



**PC Board Layout**

**Board Connection Configuration and Height when Mated with Mating Post Header.**

No. of Pos.	Dimensions		Part No. of Receptacle Header (Loose Piece)
	A	B	
26	17.70	16.90	<b>2-176892-6</b>
30	20.20	19.40	<b>3-176892-0</b>

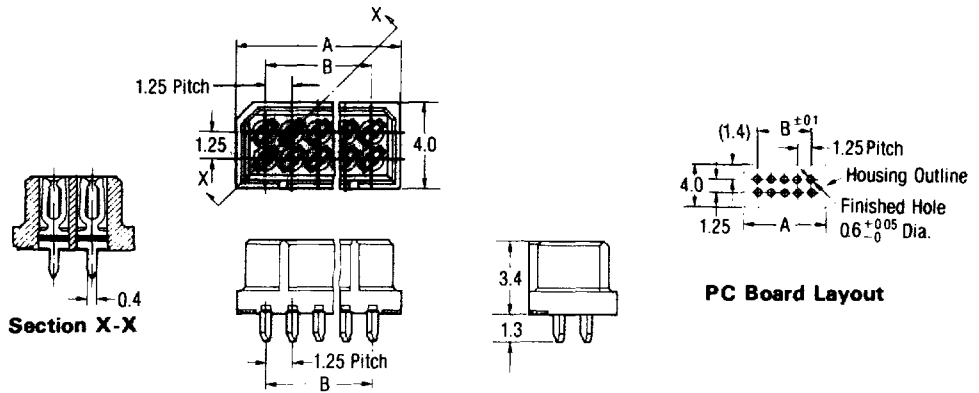
Board Connection Configuration	Part No. of Mating Post Header	Dimension "H" in Relation to "C" when Mated with Post Header (Pos.)	
		C=3.95 (26,30)	C=8.85 (30)
Right-angle	<b>176895</b>	5.8	—
	<b>176769</b>	5.8	10.8
	<b>176140</b>	—	10.8
	<b>176320</b>	—	10.8



**Board to Board Connectors**  
**AMP 1.25mm F-P Board to Board Connectors**  
**Dual-Row Receptacle Headers (Cont'd)**

**DIP-type Vertical Mounting**  
**<For Parallel Board Connection>**

**Material and Finish:**  
 Housing—UL94V-0 rated, P.P.S., resin, black.  
 Contact—0.3mm thick phosphor bronze, tin-lead plated.



**Board Connection Configuration and Height when Mated with Mating Post Header.**

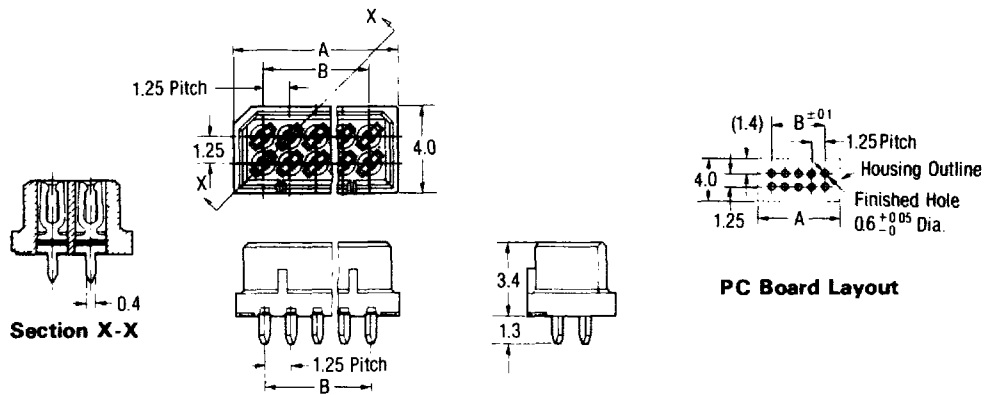
No. of Pos.	Dimensions		Part No. of Receptacle Header (Loose Piece)
	A	B	
6	5.20	2.50	<b>174635-6</b>
10	7.70	5.00	<b>1-174635-0</b>
12	8.95	6.25	<b>1-174635-2</b>
14	10.20	7.50	<b>1-174635-4</b>
16	11.45	8.75	<b>1-174635-6</b>
18	12.70	10.00	<b>1-174635-8</b>
20	13.95	11.25	<b>2-174635-0</b>

Board Connection Configuration	Part No. of Mating Post Header	Dimension "H" in Relation to "C" when Mated with Post Header (Pos.)				
		C=3.95 (6,10,12,14,16,18,20)	C=5.45 (14,16,20)	C=5.95 (12,16)	C=9.35 (12,18)	C=10.7 (10)
	<b>174643</b>	5.0	—	7.0	—	—
	<b>174645</b>	5.0	6.5	7.0	—	—
	<b>174821</b>	—	—	—	10.5	—
	<b>176756</b>	—	—	—	—	—
*	<b>175699</b>	—	—	—	—	*

\* Intermediary post header to accept receptacle header on both sides.  
 Connecting configuration and mating height vary depending on opposite receptacles.  
 For details, consult with our Sales Dept.

**Short-rib DIP-type Vertical Mounting**  
**<For Parallel Board Connection>**

**Material and Finish:**  
 Housing—UL94V-0 rated, P.P.S., resin, black.  
 Contact—0.3mm thick phosphor bronze, tin-lead plated.



**Board Connection Configuration and Height when Mated with Mating Post Header.**

No. of Pos.	Dimensions		Part No. of Receptacle Header (Loose Piece)
	A	B	
16	11.45	8.75	<b>1-176870-6</b>
22	15.20	12.50	<b>2-176870-2</b>
24	16.45	13.75	<b>2-176870-4</b>
26	17.70	15.00	<b>2-176870-6</b>
30	20.20	17.50	<b>3-176870-0</b>

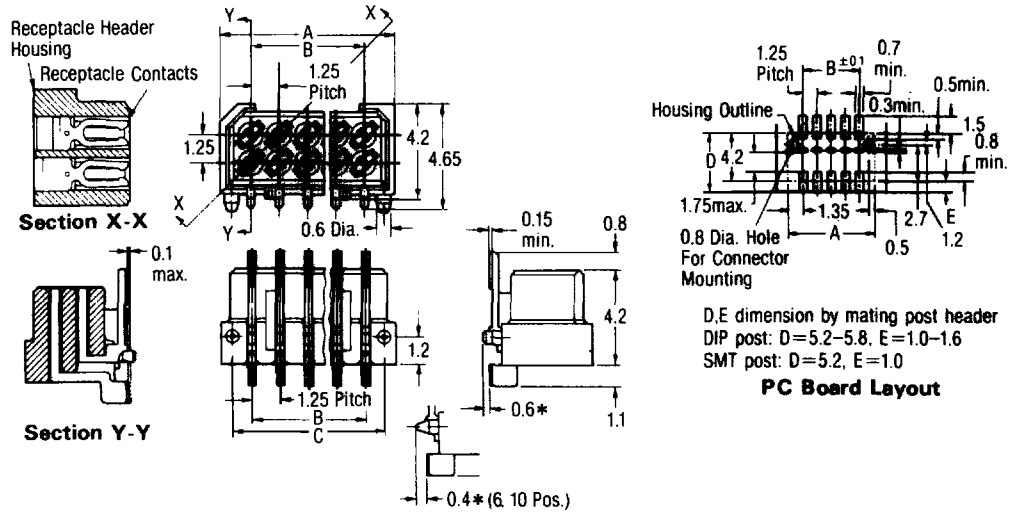
Board Connection Configuration	Part No. of Mating Post Header	Dimension "H" in Relation to "C" when Mated with Post Header (Pos.)				
		C=3.95 (26,30)	C=5.45 (16)	C=6.85 (24)	C=8.85 (22,24,30)	C=9.35 (22)
	<b>176895</b>	5.0	—	—	—	—
	<b>176769</b>	5.0	6.5	—	10.0	—
	<b>176140</b>	—	—	—	—	—
	<b>178041</b>	—	—	8.0	—	10.5
	<b>176757</b>	—	—	—	—	—
	<b>176320</b>	—	—	—	10.0	—



## Board to Board Connectors AMP 1.25mm F-P Board to Board Connectors Dual-Row Receptacle Headers (Cont'd)

**SMT-type  
Horizontal Mounting  
(With Mounting  
Bosses)  
<For Right-angle  
Board Connection>**

**Material and Finish:**  
Housing—UL94V-0 rated,  
P.P.S., resin, black.  
Contact—0.3mm thick  
phosphor bronze, tin-lead  
plated.



No. of Pos.	Dimensions			Part No. of Receptacle Header	
	A	B	C	Tube (ea.)	Reel-mounted (ea.)
6	5.20	2.50	4.20	<b>3-176910-6(90)</b>	<b>3-175639-6(1500)</b>
10	7.70	5.00	6.70	<b>4-176910-0(60)</b>	<b>4-175639-0(1500)</b>
12	8.95	6.25	7.95	<b>4-176910-2(50)</b>	<b>4-175639-2(1500)</b>
14	10.20	7.50	9.20	<b>4-176910-4(45)</b>	<b>4-175639-4(1500)</b>
16	11.45	8.75	10.45	<b>4-176910-6(40)</b>	<b>4-175639-6(1000)</b>
18	12.70	10.00	11.70	<b>4-176910-8(35)</b>	<b>4-175639-8(1000)</b>
20	13.95	11.25	12.95	<b>5-176910-0(30)</b>	<b>5-175639-0(1000)</b>
22	15.20	12.50	14.20	<b>5-176910-2(30)</b>	<b>5-175639-2(1000)</b>
24	16.45	13.75	15.45	<b>5-176910-4(25)</b>	<b>5-175639-4(1000)</b>

**Board Connection Configuration and Height when Mated with Mating Post Header.**

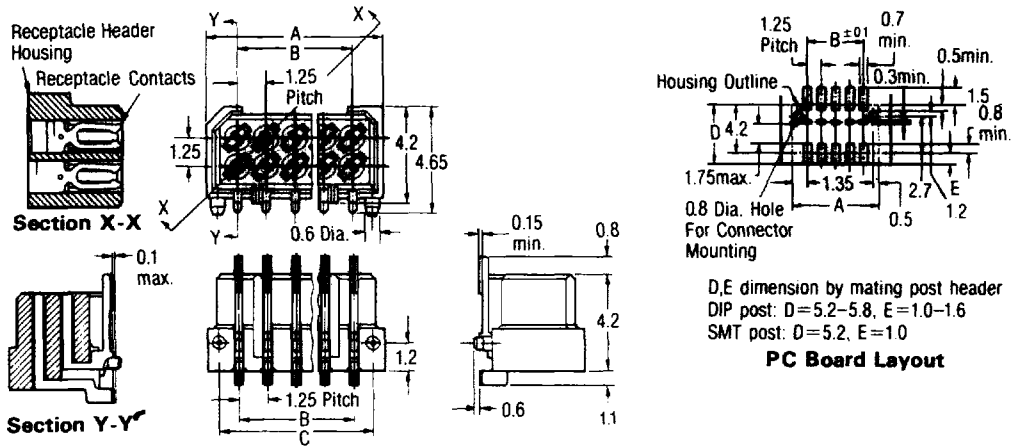
Board Connection Configuration	Part No. of Mating Post Header	Dimension "H" in Relation to "C" when Mated with Post Header (Pos.)						
		C=3.95 (6,10,12,14,16,18,20,22,24)	C=5.45 (14,16,20)	C=5.95 (12,16)	C=6.85 (24)	C=8.85 (22,24)	C=9.35 (12,18,22)	C=10.7 (10)
Right-angle	<b>174643</b>	6.9	—	8.9	—	—	—	—
	<b>174645</b>	6.9	8.4	8.9	—	—	—	—
	<b>174821</b>	6.9	8.4	8.9	—	—	—	—
	<b>176769</b>	—	8.4	—	—	11.9	—	—
	<b>176140</b>	—	—	—	—	—	—	—
	<b>178041</b>	—	—	—	9.4	—	12.4	—
	<b>176757</b>	—	—	—	—	—	—	—
	<b>178040</b>	—	—	—	—	—	12.4	—
*	<b>175699</b>	—	—	—	—	—	—	*

\* Intermediary post header to accept receptacle header on both sides.  
Connecting configuration and mating height vary depending on opposite receptacles.  
For details, consult with our Sales Dept

**Board to Board Connectors**  
**AMP 1.25mm F-P Board to Board Connectors**  
**Dual-Row Receptacle Headers (Cont'd)**

**Short-rib**  
**SMT-type**  
**Horizontal Mounting**  
**(With Mounting**  
**Bosses)**  
**<For Right-angle**  
**Board Connection>**

**Material and Finish:**  
 Housing—UL94V-0 rated,  
 P.P.S., resin, black.  
 Contact—0.3mm thick  
 phosphor bronze, tin-lead  
 plated.



D,E dimension by mating post header  
 DIP post: D=5.2-5.8, E=1.0-1.6  
 SMT post: D=5.2, E=1.0  
**PC Board Layout**

No. of Pos.	Dimensions			Part No. of Receptacle Header	
	A	B	C	Tube(ea.)	Reel Mounted(ea.)
26	17.70	15.70	16.70	<b>5-176911-6</b> (25)	<b>5-176491-6</b> (1000)
30	20.20	17.50	19.20	<b>6-176911-0</b> (20)	<b>6-176491-0</b> (1000)

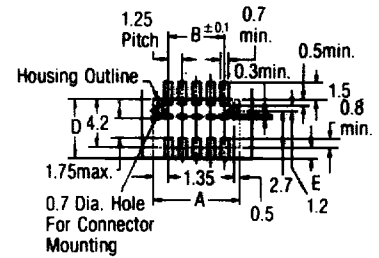
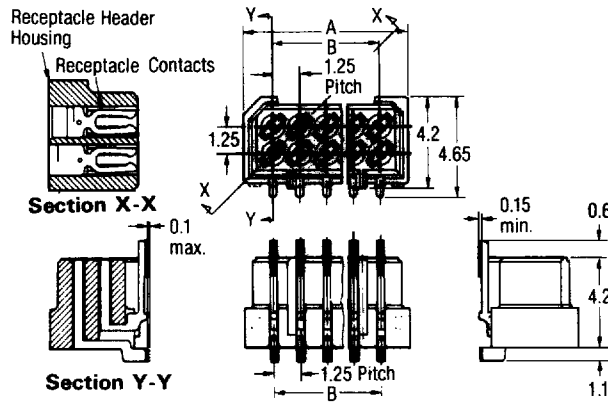
**Board Connection Configuration and Height when Mated with Mating Post Header.**

Board Connection Configuration	Part No. of Mating Post Header	Dimension "H" in Relation to "C" when Mated with Post Header (Pos.)	
		C=3.95 (26,30)	C=8.85 (30)
	<b>176895</b>	6.9	—
	<b>176320</b>	—	11.9
	<b>176140</b>	6.9	11.9
	<b>176769</b>	6.9	11.9

**Board to Board Connectors**  
**AMP 1.25mm F-P Board to Board Connectors**  
**Dual-Row Receptacle Headers (Cont'd)**

**SMT-type**  
**Horizontal Mounting**  
**(Without Mounting**  
**Bosses)**  
**<For Right-angle**  
**Board Connection>**

**Material and Finish:**  
 Housing — UL94V-0 rated,  
 P.P.S., resin, black.  
 Contact — 0.3mm thick  
 phosphor bronze, tin-lead  
 plated.



D,E dimension by mating post header  
 DIP post: D=5.2-5.8, E=1.0-1.6  
 SMT post: D=5.2, E=1.0  
**PC Board Layout**

No. of Pos.	Dimensions		Part No. of Receptacle Header	
	A	B	Tube(ea.)	Reel Mounted(ea.)
6	5.20	2.50	<b>3-176912-6(90)</b>	—
10	7.70	5.00	<b>4-176912-0(60)</b>	<b>4-175631-0(1500)</b>
12	8.95	6.25	<b>4-176912-2(50)</b>	<b>4-175631-2(1500)</b>
14	10.20	7.50	<b>4-176912-4(45)</b>	<b>4-175631-4(1500)</b>
16	11.45	8.75	<b>4-176912-6(40)</b>	<b>4-175631-6(1000)</b>
18	12.70	10.00	<b>4-176912-8(35)</b>	<b>4-175631-8(1000)</b>
20	13.95	11.25	<b>5-176912-0(30)</b>	<b>5-175631-0(1000)</b>
22	15.20	12.50	<b>5-176912-2(30)</b>	<b>5-175631-2(1000)</b>
24	16.45	13.75	<b>5-176912-4(25)</b>	<b>5-175631-4(1000)</b>

**Board Connection Configuration and Height when Mated with Mating Post Header.**

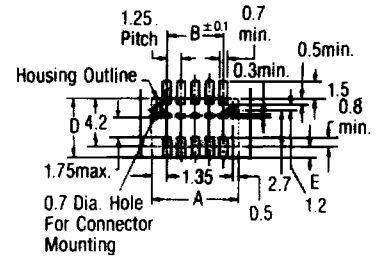
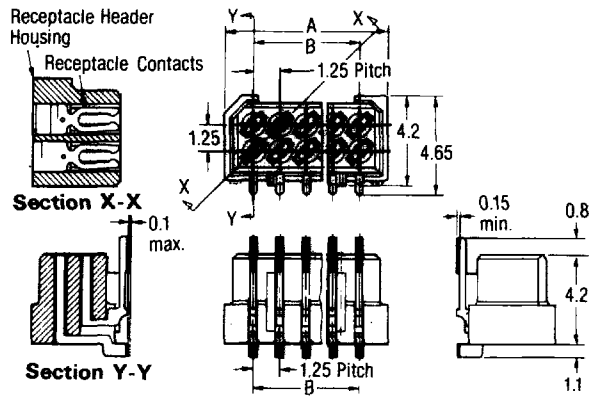
Board Connection Configuration	Part No. of Mating Post Header	Dimension "H" in Relation to "C" when Mated with Post Header (Pos.)						
		C=3.95 (6,10,12,14,16,18,20,22,24)	C=5.45 (14,16,20)	C=5.95 (12,16)	C=6.85 (24)	C=8.85 (22,24)	C=9.35 (12,18,22)	C=10.7 (10)
	<b>174643</b>	6.9	—	8.9	—	—	—	—
	<b>174645</b>	6.9	8.4	8.9	—	—	—	—
	<b>174821</b>	6.9	8.4	8.9	—	—	—	—
	<b>176769</b>	—	8.4	—	—	11.9	—	—
	<b>176140</b>	—	—	—	—	—	—	—
	<b>178041</b>	—	—	—	9.4	—	12.4	—
	<b>176757</b>	—	—	—	—	—	12.4	—
	<b>178040</b>	—	—	—	—	—	12.4	—
	<b>176756</b>	—	—	—	—	—	12.4	—
	<b>* 175699</b>	—	—	—	—	—	—	<b>*</b>

\* Intermediary post header to accept receptacle header on both sides.  
 Connecting configuration and mating height vary depending on opposite receptacles.  
 For details, consult with our Sales Dept.

**Board to Board Connectors**  
**AMP 1.25mm F-P Board to Board Connectors**  
**Dual-Row Receptacle Headers (Cont'd)**

**Short-rib**  
**SMT-type**  
**Horizontal Mounting**  
**(Without Mounting**  
**Bosses)**  
**<For Right-angle**  
**Board Connection>**

**Material and Finish:**  
 Housing—UL94V-0 rated,  
 P.P.S., resin, black.  
 Contact—0.3mm thick  
 phosphor bronze, tin-lead  
 plated.



D,E dimension by mating post header  
 DIP post: D=5.2-5.8, E=1.0-1.6  
 SMT post: D=5.2, E=1.0  
**PC Board Layout**

No. of Pos.	Dimensions		Part No. of Receptacle Header	
	A	B	Tube(ea.)	Reel Mounted(ea.)
26	17.70	15.00	<b>5-176913-6</b> (25)	<b>5-176894-6</b> (1000)
30	20.20	17.50	<b>6-176913-0</b> (20)	<b>6-176894-0</b> (1000)

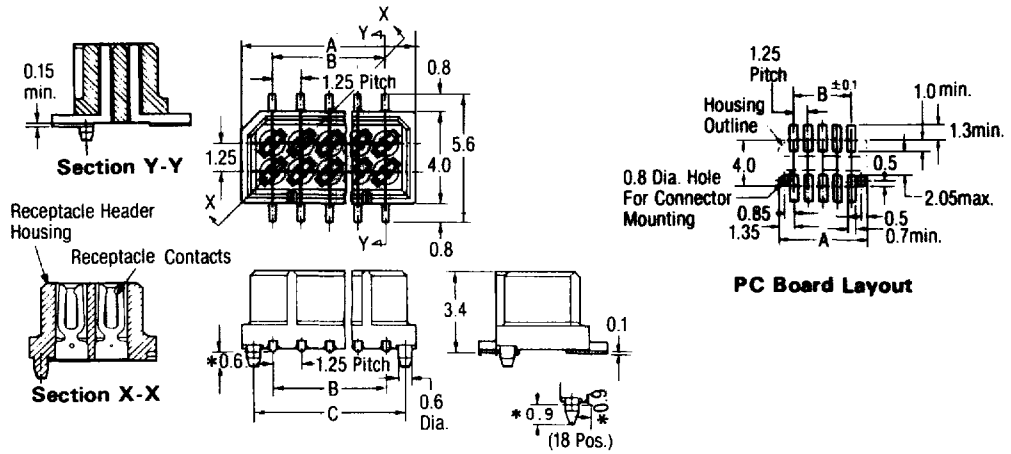
**Board Connection Configuration and Height when Mated with Mating Post Header.**

Board Connection Configuration	Part No. of Mating Post Header	Dimension "H" in Relation to "C" when Mated with Post Header (Pos.)	
		C=3.95 (26,30)	C=8.85 (30)
	<b>176895</b>	6.9	—
	<b>176320</b>	—	11.9
	<b>176140</b>	6.9	11.9
	<b>176769</b>	6.9	11.9

**Board to Board Connectors**  
**AMP 1.25mm F-P Board to Board Connectors**  
**Dual-Row Receptacle Headers (Cont'd)**

**SMT-type Vertical Mounting (With Mounting Bosses) <For Parallel Board Connection>**

**Material and Finish:**  
 Housing—UL94V-0 rated, P.P.S., resin, black.  
 Contact—0.3mm thick phosphor bronze, tin-lead plated.



No. of Pos.	Dimensions			Part No. of Receptacle Header	
	A	B	C	Loose Piece	Reel Mounted(ea.)
6	5.20	2.50	4.20	<b>3-174639-6</b>	<b>3-175638-6</b> (1500)
10	7.70	5.00	6.70	<b>4-174639-0</b>	<b>4-175638-0</b> (1500)
12	8.95	6.25	7.95	<b>4-174639-2</b>	<b>4-175638-2</b> (1500)
14	10.20	7.50	9.20	<b>4-174639-4</b>	<b>4-175638-4</b> (1500)
16	11.45	8.75	10.45	<b>4-174639-6</b>	<b>4-175638-6</b> (1000)
18	12.70	10.00	11.70	<b>4-174639-8</b>	<b>4-175638-8</b> (1000)
20	13.95	11.25	12.95	<b>5-174639-0</b>	<b>5-175638-0</b> (1000)

**Board Connection Configuration and Height when Mated with Mating Post Header.**

Board Connection Configuration	Part No. of Mating Post Header	Dimension "H" in Relation to "C" when Mated with Post Header (Pos.)				
		C=3.95 (6,10,12,14,16,18,20)	C=5.45 (14,16,20)	C=5.95 (12,16)	C=9.35 (12,18)	C=10.7 (10)
	<b>174643</b>	5.0	---	7.0	---	---
	<b>174645</b>	5.0	6.5	7.0	---	---
	<b>174821</b>	5.0	6.5	7.0	---	---
	<b>176756</b>	---	---	---	10.5	---
	<b>178040</b>	---	---	---	10.5	---
*	<b>175699</b>	---	---	---	---	*

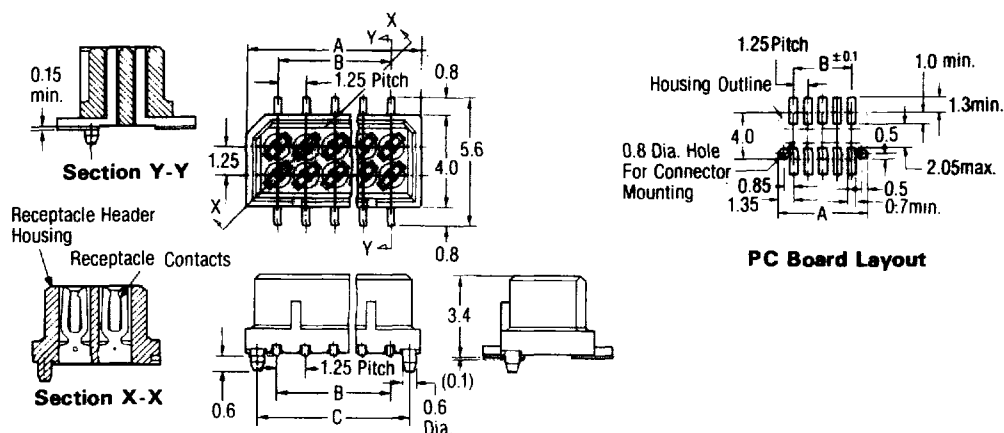
\* Intermediary post header to accept receptacle header on both sides.  
 Connecting configuration and mating height vary depending on opposite receptacles.  
 For details, consult with our Sales Dept.

3

## Board to Board Connectors AMP 1.25mm F-P Board to Board Connectors Dual-Row Receptacle Headers (Cont'd)

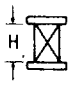
**Short-rib  
SMT-type  
Vertical Mounting  
(With Mounting  
Bosses)  
<For Parallel  
Board Connection>**

**Material and Finish:**  
Housing—UL94V-0 rated,  
P.P.S., resin, black.  
Contact—0.3mm thick  
phosphor bronze, tin-lead  
plated.



No. of Pos.	Dimensions			Part No. of Receptacle Header	
	A	B	C	Loose Piece	Reel Mounted(ea.)
16	11.45	8.75	10.45	4-176311-6	4-176313-6(1000)
22	15.20	12.50	14.20	5-176311-2	5-176313-2(1000)
24	16.45	13.75	15.45	5-176311-4	5-176313-4(1000)
26	17.70	15.70	16.70	5-176311-6	5-176313-6(1000)
30	20.20	17.50	19.20	6-176311-0	6-176313-0(1000)

**Board Connection Configuration and Height when Mated with Mating Post Header.**

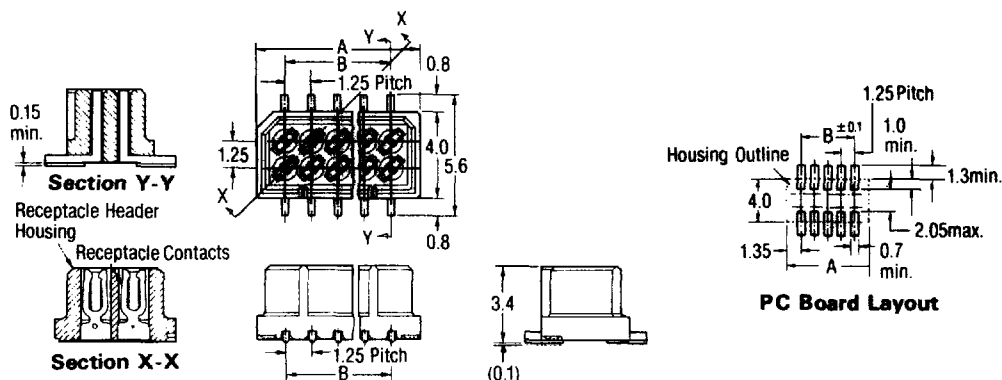
Board Connection Configuration	Part No. of Mating Post Header	Dimension "H" in Relation to "C" when Mated with Post Header (Pos.)					
		C=3.95 (16,22,24,30)	C=5.45 (16)	C=5.95 (16)	C=6.85 (24)	C=8.85 (22,24,30)	C=9.35 (22)
Parallel	176895	5.0	—	—	—	—	—
	174643	5.0	—	7.0	—	—	—
	174645	5.0	6.5	7.0	—	—	—
	174821	5.0	6.5	7.0	—	—	—
	176769	5.0	6.5	—	—	10.0	—
	176140	—	—	—	—	10.0	—
	178041	—	—	—	8.0	—	10.5
	176757	—	—	—	8.0	—	10.5
	176320	—	—	—	—	10.0	—

## Board to Board Connectors AMP 1.25mm F-P Board to Board Connectors Dual-Row Receptacle Headers (Cont'd)

**SMT-type  
Vertical Mounting  
(Without Mounting  
Bosses)  
<For Parallel  
Board Connection>**

**Material and Finish:**

Housing—UL94V-0 rated,  
P.P.S., resin, black.  
Contact—0.3mm thick  
phosphor bronze, tin-lead  
plated.



No. of Pos.	Dimensions		Part No. of Receptacle Header	
	A	B	Tube(ea.)	Reel Mounted(ea.)
6	5.20	2.50	<b>3-174904-6</b>	<b>3-175630-6</b> (1500)
10	7.70	5.00	<b>4-174904-0</b>	<b>4-175630-0</b> (1500)
12	8.95	6.25	<b>4-174904-2</b>	<b>4-175630-2</b> (1500)
14	10.20	7.50	<b>4-174904-4</b>	<b>4-175630-4</b> (1500)
16	11.45	8.75	<b>4-174904-6</b>	<b>4-175630-6</b> (1000)
18	12.70	10.00	<b>4-174904-8</b>	<b>4-175630-8</b> (1000)
20	13.95	11.25	<b>5-174904-0</b>	<b>5-175630-0</b> (1000)

**Board Connection Configuration and Height when Mated with Mating Post Header.**

Board Connection Configuration	Part No. of Mating Post Header	Dimension "H" in Relation to "C" when Mated with Post Header (Pos.)				
		C=3.95 (6,10,12,14,16,18,20)	C=5.45 (14,16,20)	C=5.95 (12,16)	C=9.35 (12,18)	C=10.7 (10)
	<b>174643</b>	5.0	—	7.0	—	—
	<b>174645</b>	5.0	6.5	7.0	—	—
	<b>174821</b>	5.0	6.5	7.0	—	—
	<b>176756</b>	—	—	—	10.5	—
	<b>178040</b>	—	—	—	10.5	—
*	<b>175699</b>	—	—	—	—	*

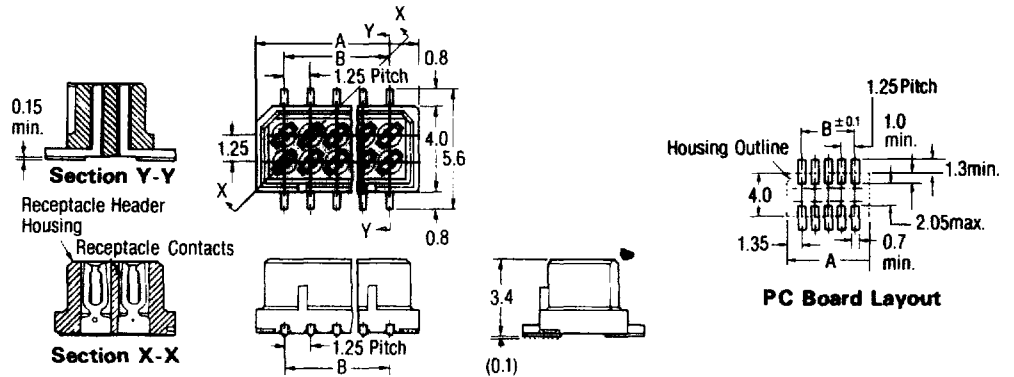
\* Intermediary post header to accept receptacle header on both sides.  
Connecting configuration and mating height vary depending on opposite receptacles.  
For details, consult with our Sales Dept.

3

**Board to Board Connectors**  
**AMP 1.25mm F-P Board to Board Connectors**  
**Dual-Row Receptacle Headers (Cont'd)**

**Short-rib**  
**SMT-type**  
**Vertical Mounting**  
**(Without Mounting**  
**Bosses)**  
**<For Parallel**  
**Board Connection>**

**Material and Finish:**  
 Housing—UL94V-0 rated,  
 P.P.S., resin, black.  
 Contact—0.3mm thick  
 phosphor bronze, tin-lead  
 plated.



No. of Pos.	Dimensions		Part No. of Receptacle Header	
	A	B	Loose Piece	Reel Mounted(ea.)
16	11.45	8.75	<b>4-176768-6</b>	<b>4-176770-6(1000)</b>
22	15.20	12.50	<b>5-176768-2</b>	<b>5-176770-2(1000)</b>
24	16.45	13.75	<b>5-176768-4</b>	<b>5-176770-4(1000)</b>
26	17.70	15.00	<b>5-176768-6</b>	<b>5-176770-6(1000)</b>
30	20.20	17.50	<b>6-176768-0</b>	<b>6-176770-0(1000)</b>

**Board Connection Configuration and Height when Mated with Mating Post Header.**

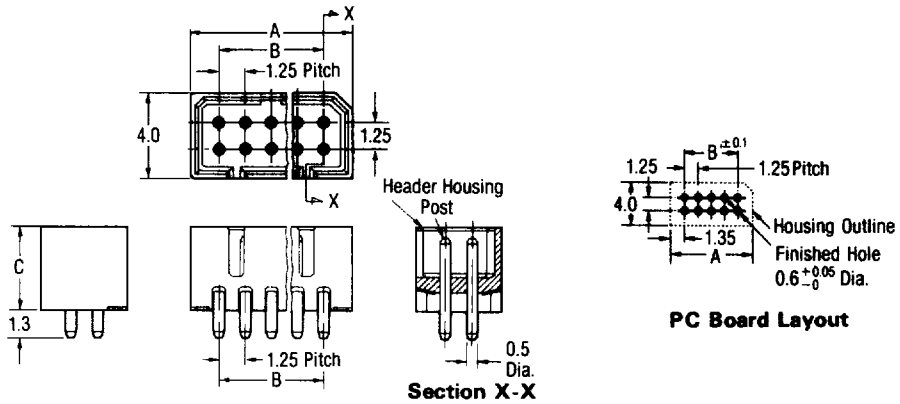
Board Connection Configuration	Part No. of Mating Post Header	Dimension "H" in Relation to "C" when Mated with Post Header (Pos.)					
		C=3.95 (16,22,24,26,30)	C=5.45 (16)	C=5.95 (16)	C=6.85 (24)	C=8.85 (22,24,30)	C=9.35 (22)
Parallel	<b>176895</b>	5.0	—	—	—	—	—
	<b>174643</b>	5.0	—	7.0	—	—	—
	<b>174645</b>	5.0	6.5	7.0	—	—	—
	<b>174821</b>	5.0	6.5	—	—	—	—
	<b>176769</b>	5.0	6.5	—	—	10.0	—
	<b>176140</b>	—	—	—	8.0	—	10.5
	<b>178041</b>	—	—	—	—	—	—
	<b>176757</b>	—	—	—	—	10.0	—
	<b>176320</b>	—	—	—	—	—	—



**Board to Board Connectors**  
**AMP 1.25mm F-P Board to Board Connectors**  
**Dual-Row Post Headers**

**DIP-type**  
**Vertical Mounting**  
**Housing height =**  
**3.95/5.95mm**

**Material and Finish:**  
 Housing—UL94V-0 rated,  
 P.P.S., resin, black.  
 Contact—0.5mm dia. brass  
 rod, tin-lead plated.



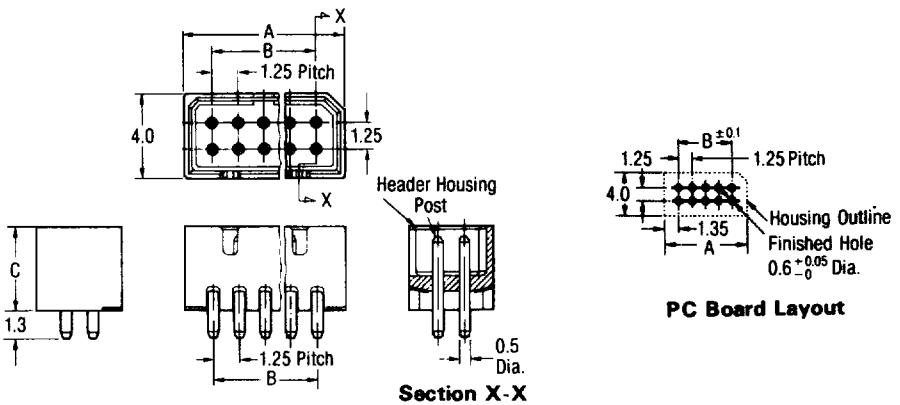
**Board Connection Configuration and Height when Mated with Mating Receptacle Header.**

No. of Pos.	Dimensions			Part No. of Post Header (Loose Piece)
	A	B	C	
6	5.20	2.50	3.95	<b>3-174643-6</b>
10	7.70	5.00	3.95	<b>4-174643-0</b>
12	8.95	6.25	3.95	<b>4-174643-2</b>
			5.95	<b>7-174643-2</b>
14	10.20	7.50	3.95	<b>4-174643-4</b>
16	11.45	8.75	3.95	<b>4-174643-6</b>
			5.95	<b>7-174643-6</b>
18	12.70	10.00	3.95	<b>4-174643-8</b>
20	13.95	11.25	3.95	<b>5-174643-0</b>
22	15.20	12.50	3.95	<b>5-174643-2</b>
24	16.45	13.75	3.95	<b>5-174643-4</b>

Board Connection Configuration	Applicable Connector Size	Part No. of Mating Receptacle Header	Dimension "H" in Relation to "C" when Mated with Post Header	
			C=3.95	C=5.95
 Right-angle	6~24	<b>174636</b>	5.8	7.8
		<b>176910</b>	6.9	8.9
		<b>176912</b>		
 Parallel	6~20	<b>174635</b>		
	16,22,24	<b>176870</b>		
	6~20	<b>174639</b>	5.0	7.0
	16,22,24	<b>176311</b>		
		<b>176768</b>		

**Short-rib Receptacle Header Mounting**  
**DIP-type**  
**Vertical Mounting:**  
**Housing height =**  
**3.95mm**

**Material and Finish:**  
 Housing—UL94V-0 rated,  
 P.P.S., resin, black.  
 Contact—0.5mm dia. brass  
 rod, tin-lead plated.



**Board Connection Configuration and Height when Mated with Mating Receptacle Header.**

No. of Pos.	Dimensions			Part No. of Post Header (Loose Piece)
	A	B	C	
26	17.70	15.00	3.95	<b>5-176895-6</b>
30	20.20	17.50	3.95	<b>6-176895-0</b>

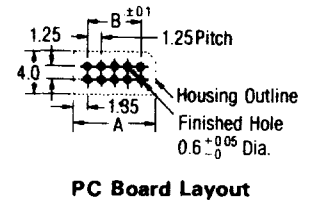
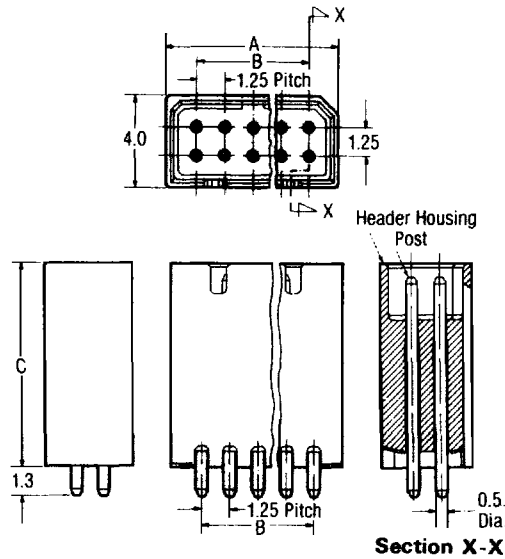
Board Connection Configuration	Part No. of Mating Receptacle Header	Dimension "H" in Relation to "C" when Mated with Post Header		
		C=3.95		
 Right-angle	<b>176892</b>	5.8		
	<b>176913</b>	6.9		
	<b>176911</b>			
 Parallel	6~20	<b>176870</b>		
	16,22,24	<b>176768</b>		
	6~20	<b>174639</b>	5.0	
	16,22,24	<b>176311</b>		



**Board to Board Connectors**  
**AMP 1.25mm F-P Board to Board Connectors**  
**Dual-Row Post Headers (Cont'd)**

**Short-rib Receptacle**  
**Header mounting**  
**DIP-type**  
**Vertical Mounting;**  
**Housing height =**  
**8.85mm**

**Material and Finish:**  
 Housing — UL94V-0 rated,  
 P.P.S., resin, black.  
 Contact — 0.5mm dia. brass  
 rod, tin-lead plated.



No. of Pos.	Dimensions			Part No. of Post Header (Loose Piece)
	A	B	C	
22	15.20	12.50	8.85	<b>2-176320-2</b>
24	16.45	13.75	8.85	<b>2-176320-4</b>
30	20.20	17.50	9.85	<b>3-176320-0</b>

**Board Connection Configuration and Height when Mated with Mating Receptacle Header.**

Board Connection Configuration	Applicable Connector Size	Part No. of Mating Receptacle Header	Dimension "H" in Relation to "C" when Mated with Post Header (Pos.)
			C=8.85(176320) (22,24,30)
Right-angle	22,24	<b>174636</b>	10.8
	26,30	<b>176892</b>	
	22,24	<b>176912</b> <b>176910</b>	11.9
	26,30	<b>176913</b> <b>176911</b>	
	22,24	<b>176870</b>	10.0
	26,30	<b>176768</b>	
		<b>176311</b>	

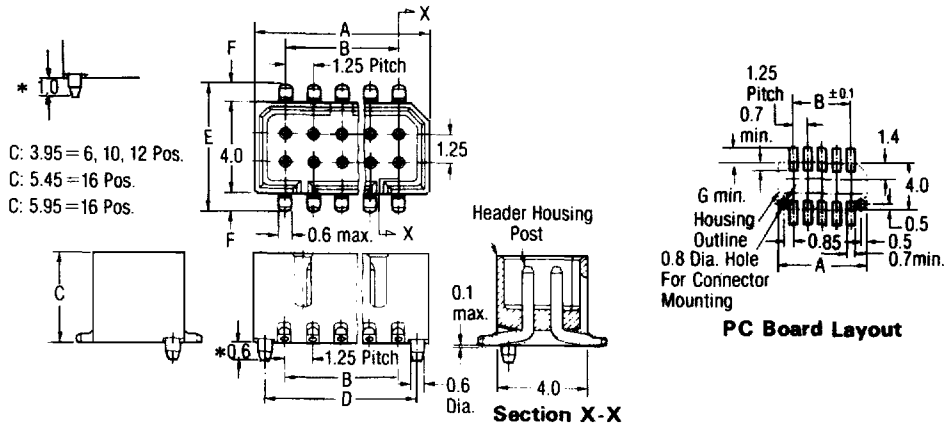
## Board to Board Connectors

### AMP 1.25mm F-P Board to Board Connectors

#### Dual-Row Post Headers (Cont'd)

**SMT-type Vertical Mounting:**  
**(With Mounting Bosses)**  
**Housing height =**  
**3.95/5.45/5.95/**  
**9.35mm**

**Material and Finish:**  
 Housing — UL94V-0 rated,  
 P.P.S., resin, black.  
 Contact — 0.5mm dia. brass  
 rod, tin-lead plated.



No. of Pos.	Dimensions							Part No. of Post Header	
	A	B	C	D	E	F	G	Loose Piece	Tube(ea.)
6	5.20	2.50	3.95	4.20	5.6	0.8	1.3	<b>3-174821-6</b>	<b>3-175643-6(90)</b>
10	7.70	5.00	3.95	6.70	5.6	0.8	1.3	<b>4-174821-0</b>	<b>4-175643-0(60)</b>
12	8.95	6.25	3.95	7.95	5.6	0.8	1.3	<b>4-174821-2</b>	<b>4-175643-2(50)</b>
			5.95					<b>7-174821-2</b>	<b>7-175643-2(50)</b>
14	10.20	7.50	3.95	9.20	5.6	0.8	1.3	<b>4-174821-4</b>	<b>4-175643-4(45)</b>
			5.45					<b>1-174821-4</b>	<b>1-175643-4(45)</b>
			3.95					<b>4-174821-6</b>	<b>4-175643-6(40)</b>
16	11.45	8.75	5.45	10.45	5.6	0.8	1.3	<b>1-174821-6</b>	<b>1-175643-6(40)</b>
			5.95					<b>7-174821-6</b>	<b>7-175643-6(40)</b>
18	12.70	10.00	3.95	11.70	5.6	0.8	1.3	<b>4-174821-8</b>	<b>4-175643-8(35)</b>
			9.35					<b>4-176756-8</b>	<b>4-176833-8(35)</b>
20	13.95	11.25	3.95	12.95	5.6	0.8	1.3	<b>5-174821-0</b>	<b>5-175643-0(30)</b>
			5.45					<b>2-174821-0</b>	<b>2-175643-0(30)</b>
22	15.20	12.50	3.95	14.20	5.6	0.8	1.3	<b>5-174821-2</b>	<b>5-175643-2(30)</b>
24	16.45	13.75	3.95	15.45	5.6	0.8	1.3	<b>5-174821-4</b>	<b>5-175643-4(25)</b>

#### Board Connection Configuration and Height when Mated with Mating Receptacle Header.

Board Connection Configuration	Applicable Connector Size	Part No. of Mating Receptacle Header	Dimension "H" in Relation to "C" when Mated with Post Header (Pos.)			
			C=3.95 (6,10,12,14,16,18,20,22,24)	C=5.45 (14,16,20)	C=5.95 (12,16)	C=9.35 (12,18)
 Right-angle	6~24	<b>174636</b>	5.8	7.3	7.8	11.3
		<b>176910</b>	6.9	8.4	8.9	12.4
		<b>176912</b>				
 Parallel	6~20	<b>174635</b>				
	22,24	<b>176870</b>				
	6~20	<b>174639</b>	5.0	6.5	7.0	10.5
		<b>174904</b>				
22,24	<b>176311</b>					
	<b>176768</b>					



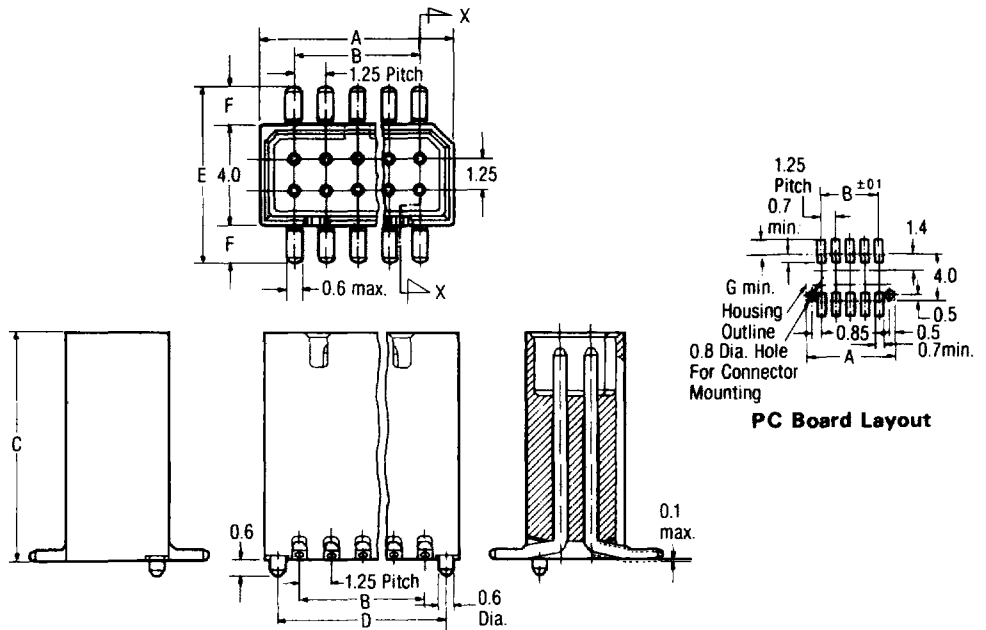
## Board to Board Connectors

### AMP 1.25mm F-P Board to Board Connectors

### Dual-Row Post Headers (Cont'd)

**Short-rib Receptacle Header Mounting**  
**SMT-type**  
**Vertical Mounting;**  
**(With Mounting Bosses)**  
**Housing height =**  
**3.95/5.45/6.85/**  
**8.85/9.35mm**

**Material and Finish:**  
 Housing—UL94V-0 rated,  
 P.P.S., resin, black.  
 Contact—0.5mm dia. brass  
 rod, tin-lead plated.



No. of Pos.	Dimensions							Part No. of Post Header	
	A	B	C	D	E	F	G	Loose Piece	Tube(ea.)
16	11.45	8.75	5.45	10.45	5.6	0.8	1.3	<b>4-176140-6</b>	<b>4-176314-6(40)</b>
22	15.20	12.50	8.85	14.20	7.0	1.5	2.0	<b>2-176140-2</b>	<b>2-176314-2(30)</b>
			9.35					<b>5-176757-2</b>	<b>5-176834-2(30)</b>
24	16.45	13.75	6.85	14.45	5.6	0.8	1.3	<b>2-176757-4</b>	<b>2-176834-4(25)</b>
			8.85		7.0	1.5	2.0	<b>2-176140-4</b>	<b>2-176314-4(25)</b>
26	17.70	15.00	3.95	17.00	5.6	0.8	1.3	<b>8-176140-6</b>	<b>8-176314-6(25)</b>
30	20.20	17.50	3.95	19.20	5.6	0.8	1.3	<b>9-176140-0</b>	<b>9-176314-0(20)</b>
			8.85		7.0	1.5	2.0	<b>3-176140-0</b>	<b>3-176314-0(20)</b>

**Board Connection Configuration and Height when Mated Receptacle Header.**

Board Connector Configuration	Applicable Connector Size	Part No. of Mating Receptacle Header	Dimension "H" in Relation to "C" when Mated with Post Header (Pos.)				
			C=3.95 (26,30)	C=5.45 (16)	C=6.85 (24)	C=8.85 (22,24,30)	C=9.35 (22)
 Right-angle	22,24	<b>174636</b>	—	—	8.8	10.8	11.3
	26,30	<b>176892</b>	5.8	—	—	—	—
	22,24	<b>176910</b>	—	—	9.9	11.9	12.4
		<b>176912</b>	—	—	—	—	—
26,30	<b>176911</b>	6.9	—	—	11.9	—	
	<b>176913</b>	—	—	—	—	—	
 Parallel	16,22	<b>176870</b>	—	—	—	—	—
	24,26	<b>176311</b>	5.0	5.7	8.0	10.0	10.5
	30	<b>176768</b>	—	—	—	—	—

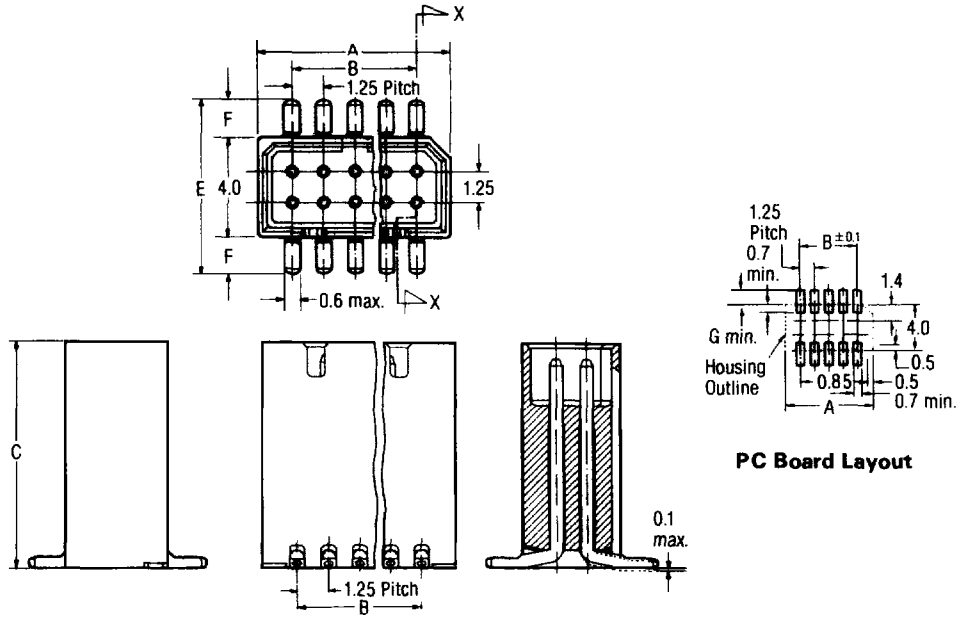
## Board to Board Connectors

### AMP 1.25mm F-P Board to Board Connectors

#### Dual-Row Post Headers (Cont'd)

**Short-rib Receptacle Header Mounting**  
**SMT-type Vertical Mounting;**  
**(Without Mounting Bosses)**  
**Housing height =**  
**3.95/5.45/6.85/**  
**8.85/9.35mm**

**Material and Finish:**  
 Housing—UL94V-0 rated, P.P.S., resin, black.  
 Contact—0.5mm dia. brass rod, tin-lead plated.



No. of Pos.	Dimensions						Part No. of Post Header	
	A	B	C	E	F	G	Loose Piece	Tube(ea.)
16	11.45	8.75	5.45	5.6	0.8	1.3	<b>4-176769-6</b>	<b>4-176771-6(40)</b>
22	15.20	12.50	8.85	7.0	1.5	2.0	<b>2-176769-2</b>	<b>2-176771-2(30)</b>
			9.35				<b>5-178041-2</b>	<b>5-178039-2(30)</b>
24	16.45	13.75	6.85	5.6	0.8	1.3	<b>2-178041-4</b>	<b>2-178039-4(25)</b>
			8.85				<b>2-176769-4</b>	<b>2-176771-4(25)</b>
26	17.70	15.00	3.95	5.6	0.8	1.3	<b>8-176769-6</b>	<b>8-176771-6(25)</b>
30	20.20	17.50	3.95	5.6	0.8	1.3	<b>9-176769-0</b>	<b>9-176771-0(20)</b>
			8.85				<b>3-176769-0</b>	<b>3-176771-0(20)</b>

#### Board Connection Configuration and Height when Mated Receptacle Header.

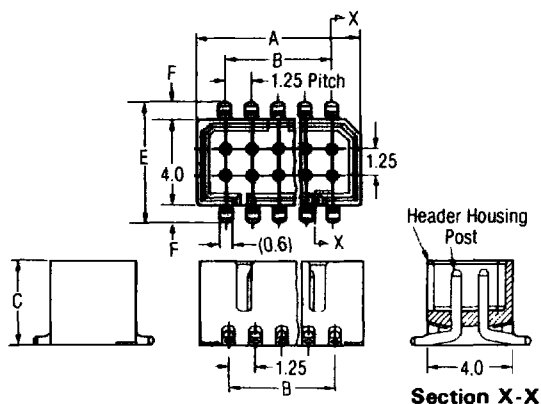
Board Connection Configuration	Applicable Connector Size	Part No. of Mating Receptacle Header	Dimension "H" in Relation to "C" when Mated with Post Header (Pos.)				
			C=3.95 (26,30)	C=5.45 (16)	C=6.85 (24)	C=8.85 (22,24,30)	C=9.35 (22)
Right-angle 	22,24	<b>174636</b>	—	—	8.8	10.8	11.3
	26,30	<b>176892</b>	5.8	—	—	—	—
	22,24	<b>176910</b>	—	—	9.9	11.9	12.4
	26,30	<b>176911</b> <b>176913</b>	6.9	—	—	11.9	—
Parallel 	16,22	<b>176870</b>	—	—	—	—	—
	24,26	<b>176311</b>	5.0	5.7	8.0	10.0	10.5
	30	<b>176768</b>	—	—	—	—	—

3

## Board to Board Connectors AMP 1.25mm F-P Board to Board Connectors Dual-Row Post Headers (Cont'd)

**SMT-type  
Vertical Mounting;  
(Without Mounting  
Bosses)  
Housing height =  
3.95/5.45/5.95/  
9.35mm**

**Material and Finish:**  
Housing—UL94V-0 rated,  
P.P.S., resin, black.  
Contact—0.5mm dia. brass  
rod, tin-lead plated.



No. of Pos.	Dimensions							Part No. of Post Header	
	A	B	C	D	E	F	G	Loose Piece	Tube(ea.)
6	5.20	2.50	3.95	4.20	5.6	0.8	1.3	<b>3-174645-6</b>	<b>3-175635-6(90)</b>
10	7.70	5.00	3.95	6.70	5.6	0.8	1.3	<b>4-174645-0</b>	<b>4-175635-0(60)</b>
12	8.95	6.25	3.95	7.95	5.6	0.8	1.3	<b>4-174645-2</b>	<b>4-175635-2(50)</b>
			5.95						
14	10.20	7.50	3.95	9.20	5.6	0.8	1.3	<b>4-174645-4</b>	<b>4-175635-4(45)</b>
			5.45						
16	11.45	8.75	3.95	10.45	5.6	0.8	1.3	<b>4-174645-6</b>	<b>4-175635-6(40)</b>
			5.45						
18	12.70	10.00	3.95	11.70	5.6	0.8	1.3	<b>4-174645-8</b>	<b>4-175635-8(35)</b>
			9.35						
20	13.95	11.25	3.95	12.95	5.6	0.8	1.3	<b>5-174645-0</b>	<b>5-175635-0(30)</b>
			5.45						
22	15.20	12.50	3.95	14.20	5.6	0.8	1.3	<b>5-174645-2</b>	<b>5-175635-2(30)</b>
24	16.45	13.75	3.95	15.45	5.6	0.8	1.3	<b>5-174645-4</b>	<b>5-175635-4(25)</b>

### Board Connection Configuration and Height when Mated with Mating Receptacle Header.

Board Connection Configuration	Applicable Connector Size	Part No. of Mating Receptacle Header	Dimension "H" in Relation to "C" when Mated with Post Header (Pos.)			
			C=3.95 (6,10,12,14,16,18,20,22,24)	C=5.45 (14,16,20)	C=5.95 (12,16)	C=9.35 (12,18)
 Right-angle	6~24	<b>174636</b>	5.8	7.3	7.8	11.3
		<b>176910</b>	6.9	8.4	8.9	12.4
		<b>176911</b>				
 Parallel	6~20	<b>174635</b>				
	22,24	<b>176870</b>				
	6~20	<b>174639</b>	5.0	6.5	7.0	10.5
		<b>174904</b>				
22,24	<b>176311</b>					
		<b>176768</b>				

**Board to Board Connectors**  
**AMP 1.25mm F-P Board to Board Connectors**  
**Dual-Row Post Headers (Cont'd)**

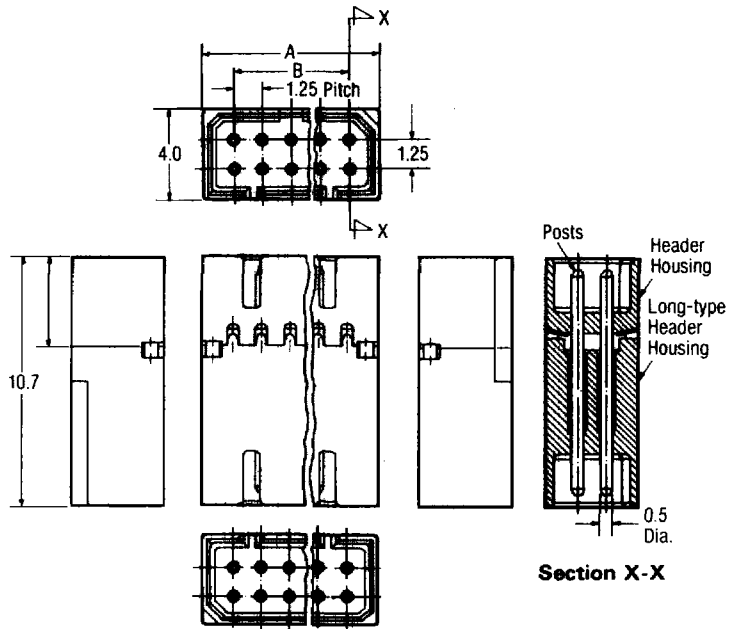
**Intermediary Post Header**  
**Housing height = 10.5mm**

**Material and Finish:**  
 Long housing—UL94V-0 rated, 66 nylon, black.  
 Header Housing—UL94V-0 rated, P.P.S., resin black.  
 Contact—0.5mm dia, brass rod, tin-lead plated.

This intermediary post header mates with all 10-position receptacle headers at top and bottom for the purpose of interconnection of boards.

The mating height varies depending on the type of receptacle header to be mated at top and bottom and the board connection configuration.

For details, consult with our Sales Department.



No. of Pos.	Dimensions			Part No. of Post Header (Loose Piece)
	A	B	C	
10	7.7	5.0	10.7	1-175699-0

3