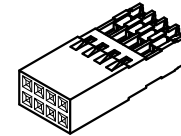
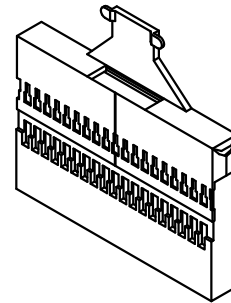
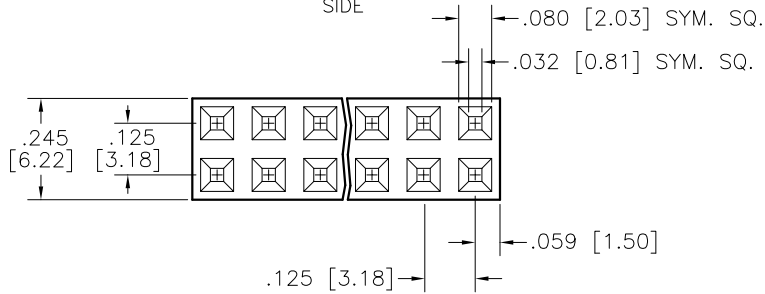
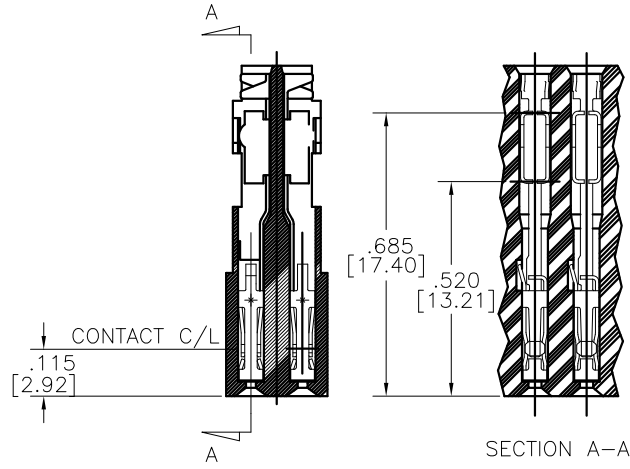
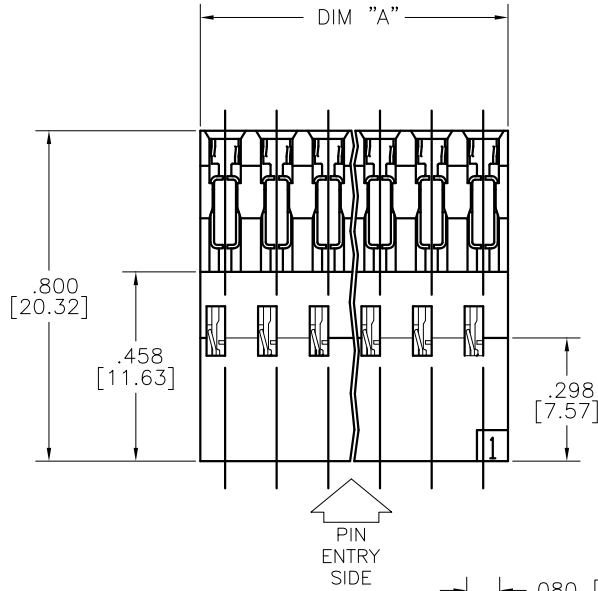
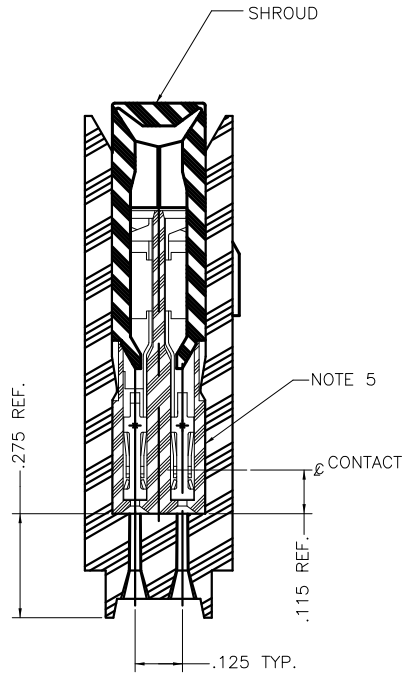
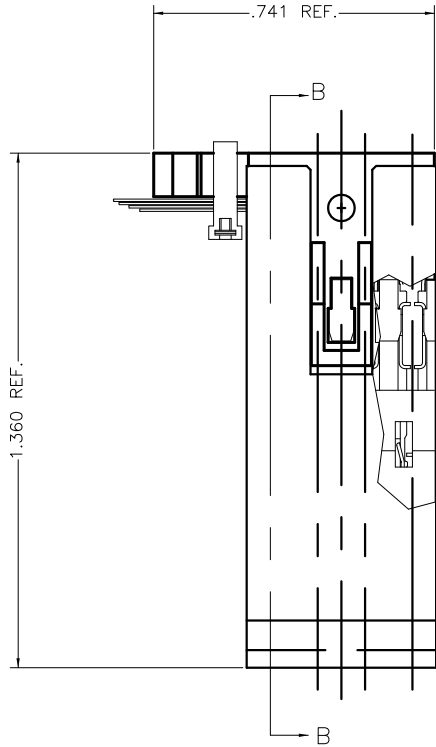


PRODUCT NUMBER  
SEE TABLE



mat'l. code		surface		tolerance		projection		product family	
SEE NOTE 1		ASME Y14.5		ASME Y14.5		INCH/MM		NORCON	
ltr	ecr no	dr	date	tolerances unless otherwise specified		scale N.T.S.		title	
B	V05-0882	HTB	2005-09-15	angles	xxx+.005/XX+.13			CABLE CONNECTORS	
C	V06-0233	HTB	2006-03-09	inset				CID02 2x4 to 2x20 .125" GRID	
D	V06-0662	JRV	2006-07-10					dwg no	
E	V06-0988	HTB	2006-09-26	dr	T. BREWBAKER	2005-09-15	sheet 1 of 3		size
F	V07-0217	HTB	2007-03-09	engr	T. BREWBAKER	2005-09-15	54319		A4
G	V09-0115	HTB	2009-03-23	chr	T. BREWBAKER	2005-09-15	type		CUSTOMER Drawing
sheet		revision		G	G	G			
index		sheet		1	2	3			

PRODUCT NUMBER  
SEE TABLE



SECT. "B-B"

SPECIFICATIONS-MECHANICAL:

- \* INSERTION FORCE - 150 G/CONTACT MAX
- \* WITHDRAWAL FORCE: 20 G/CONTACT MIN
- \* CONTACT RETENTION: 1200 G/CONTACT MIN
- \* CONTACT NORMAL FORCE: 120 G/CONTACT MIN
- \* DURABILITY - 200 CYCLES
- \* OPERATING TEMPERATURE: -55°C TO +85°C

SPECIFICATIONS-ELECTRICAL:

- \* CURRENT RATING(CONTINUOUS): 1 AMP/CONTACT MAX
- \* CONTACT RESISTANCE: 20 MILLIOHMS MAX
- \* INSULATION RESISTANCE: 5000 MEGOHMS MIN
- \* DIELECTRIC WITHSTAND VOLTAGE: 1000V RMS

ASSOCIATED COMPONENTS:

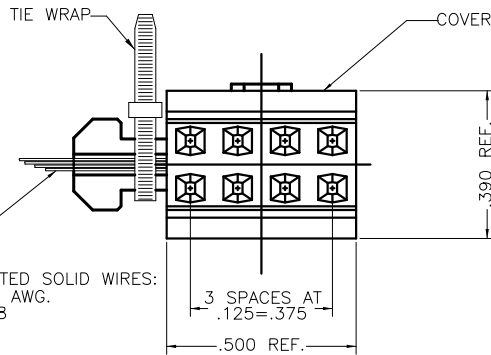
- \* APPLICATION TOOLING  
NT-230 DESKTOP SEMI-AUTOMATIC CRIMPING MACHINE  
HT-1038E CRIMPING HAND TOOL
- \* COVERS: SEE DRAWING 54323
- \* POLARIZED COVERS: SEE DRAWING 54323
- \* 2x12 COVER: SEE DRAWING 54324
- \* 2x32 COVERS: SEE DRAWING 54325
- \* 2x4 90° ENTRY COVER: SEE DRAWING 54326
- \* 2x20 90° ENTRY COVER: SEE DRAWING 54327
- \* 2x4 SHROUD: SEE DRAWING 54363

OPTIONS:

- \* SHORTED POSITIONS SEE DRAWING 54322

FEATURES:

- \* .125" (3.175 mm) GRID - 2 ROWS
- \* 8 TO 40 CONTACTS
- \* STACKABLE BOTH SIDE BY SIDE AND END TO END
- \* BIFURCATED CONTACT DESIGN (N/S ORIENTATION)
- \* SELECTIVELY PLATED GOLD CONTACT
- \* POLARIZED KEYING FEATURES AVAILABLE (ON COVER)
- \* IDC WITH STRAIN RELIEF FOR 24-26 AWG WIRE
- \* INTENDED FOR USE WITH .025/0.64 SQUARE PINS

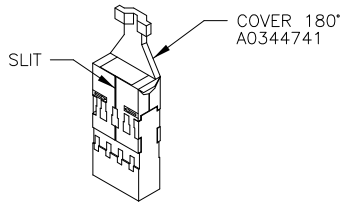


mat'l. code		surface		tolerance		projection		product family	
SEE NOTE 1		ASME Y14.5		ASME Y14.5		INCH/MM		NORCON	
ltr	ecn no	dr	date	tolerances unless otherwise specified		INCH/MM		title	
g				angles	XXX+.005/XX+.13	scale N.T.S.		CABLE CONNECTORS	
				dr	T. BREWBAKER	2005-09-15	CID02 2x4 to 2x20 .125" GRID		
				engr	T. BREWBAKER	2005-09-15	dwg no		
				chr	T. BREWBAKER	2005-09-15	sheet 2 of 3 size		
				appd	T. BREWBAKER	2005-09-15	54319 A4		
sheet index		revision sheet				FCI		type CUSTOMER Drawing	

PRODUCT NO.	ENG. CODE	DESCRIPTION	DIM "A"	NOTES
A0329308	CID02BA40AB00LN	40 POSITIONS (2x20)	2.494" [63.35]	OBSOLETE
A0329308LF	-	40 POSITIONS (2x20)	2.494" [63.35]	NOTE 3
A0329309	CID02BA32AB00LN	32 POSITIONS (2x16)	1.994" [50.65]	OBSOLETE
A0329309LF	-	32 POSITIONS (2x16)	1.994" [50.65]	NOTE 3
A0329310	CID02BA20AB00LN	20 POSITIONS (2x10)	1.244" [31.60]	OBSOLETE
A0329310LF	-	20 POSITIONS (2x10)	1.244" [31.60]	NOTE 3
A0329311	CID02BA16AB00LN	16 POSITIONS (2x8)	.944" [25.25]	OBSOLETE
A0329311LF	-	16 POSITIONS (2x8)	.944" [25.25]	NOTE 3
A0329312	CID02BA08AB00LN	8 POSITIONS (2x4)	.494" [12.55]	-
A0329312LF	-	8 POSITIONS (2x4)	.494" [12.55]	NOTE 3

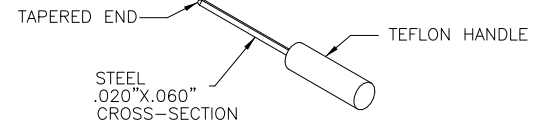
NOTES:

1. HOUSING MATERIAL: PBT, GLASS FIBER REINFORCED, FLAME RETARDENT PER UL 94V-0, COLOR: BLACK.  
 TERMINAL MATERIAL: CA510 ALLOY  
 CONTACT FINISH: 50u"/1.27u Au  
 CONTACT UNDERPLATE: 100u"/2.54u Ni  
 IDC FINISH: 50u"/1.27u Ni  
 OVERALL UNDERPLATE: 20u"/0.51u Ni
2. PACKAGED IN ANTI-STATIC TRAYS.
3. PART NUMBERS WITH AN LF SUFFIX MEET EUROPEAN UNION DIRECTIVES AND OTHER COUNTRY REGULATIONS AS DESCRIBED IN GS-22-008.
4. THIS PRODUCT IS NOT INTENDED TO BE EXPOSED TO MANUFACTURING SOLDER PROCESSES.
5. A0329312 TYPE CONNECTOR ONLY DEPICTED TO SHOW METHOD OF MOUNTING COVER AND SHROUD TO CONNECTOR.
6. A0344741 TYPE COVER ALSO INTENDED FOR USE ONLY WITH A0329312 TYPE CONNECTOR, FOR 180° HARNESSING AS PER ILLUSTRATION.



7. THE FOLLOWING IS THE RECOMMENDED TOOL AND METHOD FOR REMOVING THE COVER:

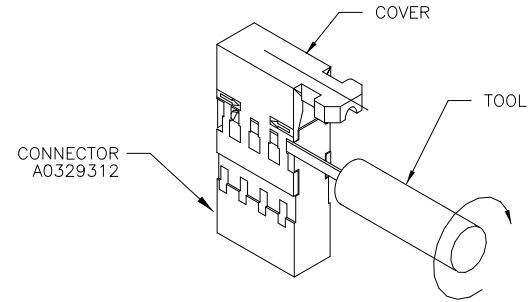
- EXTRACTION TOOL



LENGTH SHALL VARY DEPENDING ON SIZE OF COVER.

- METHOD OF COVER REMOVAL

INSERT EXTRACTION TOOL BETWEEN COVER & BODY ENTERING WINDOW AS MARKED (←). SLIDE TOOL AND GRADUALLY ROTATE HANDLE CLOCKWISE TO RELEASE COVER. REPEAT PROCEDURE FOR OPPOSITE SIDE.



IT IS NOT RECOMMENDED THAT THE COVER BE REMOVED WHILE CONNECTOR IS IN USE.

8. THIS CONNECTOR WILL ACCEPT A MAXIMUM OF 8 DISCRETE SOLID WIRES. MAXIMUM INSULATED CONDUCTOR DIAMETER FOR 24 AWG. IS .045 INCH.

mat'l. code		surface		tolerance		projection		product family	
SEE NOTE 1		ASME Y14.5		ASME Y14.5		INCH/MM		NORCON	
ltr	ecm no	dr	date	tolerances unless otherwise specified				title	
G				XXX+.005/XX+.13				CABLE CONNECTORS	
				scale N.T.S.				CID02 2x4 to 2x20 .125" GRID	
				dr		T. BREWBAKER		2006-03-09	
				engr		T. BREWBAKER		2006-03-09	
				chr		T. BREWBAKER		2006-03-09	
				appd		T. BREWBAKER		2006-03-09	
sheet index		revision sheet						FCI	
								dwg no	
								54319	
								sheet 3 of 3	
								size	
								A4	
								Type	
								CUSTOMER Drawing	