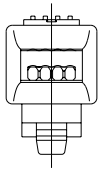


Variations

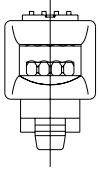
Cable Openings

Standard Back for flat/oval cable



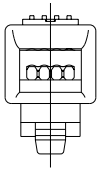
- 4-position .110 [2.79]
- 6-position .103 [2.62]
- 8-position .142 [3.61]
- 10-position .142 [3.61]

Radius Back (R) for round cable



- 4-position .135 [3.42]
- 6-position .135 [3.42]
- 8-position .172 [4.37]
- 10-position .172 [4.37]

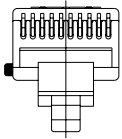
Open Back (OB) for oversized cable



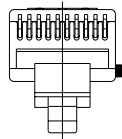
- 4-position .144 [3.66]
- 6-position .144 [3.66]
- 8-position .190 [4.83]
- 10-position .190 [4.83]

Keying Options

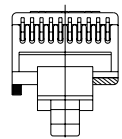
K1-Key



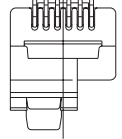
K2-Key



RMK4-Key



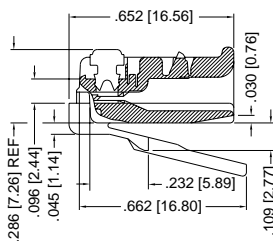
OST (MMJ)



■ Fill

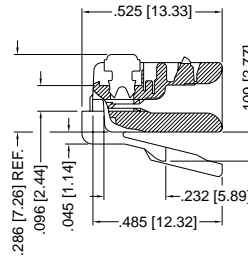
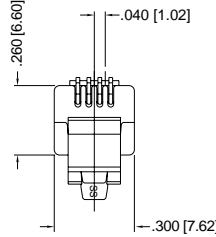
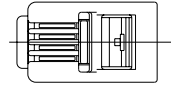
▨ Cutout

Special Length

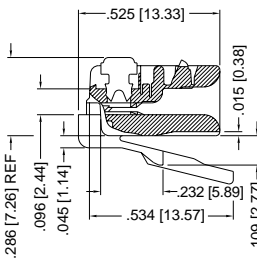
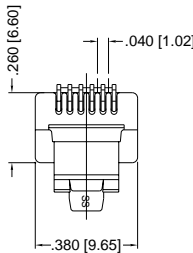
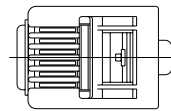


Longer body is ideal for overmolding. Provides more surface area for disconnect/reconnect.

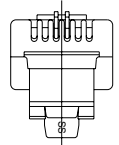
Four-Contact, Four-Position Unshielded



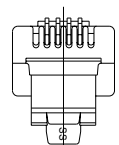
Six-Contact, Six-Position Unshielded



Two-Contact, Six-Position



Four-Contact, Six-Position



Quick Reference Chart

Description				Options						
Series	Contacts Inserted	Contact Positions	Keying Options				Special* Length (.652)	Flexible* Strain Relief Boot	Wire Management*	
			K1	K2	RMK4	OST (MMJ)			Mgmt. Bar	Load Bar
RJ-11**	30	4	4							
	30	2	6				●			
	30	4	6				●			
RJ-45**	30	6	6				●			
	30	8	8	●	●			●	●	●
30	10	10	●	●	●			●	●	

*Consult Stewart for specific details.

**Typical applications.

Note: Configurations shown are the most common for typical applications.

For availability of other configurations not listed, consult Stewart.

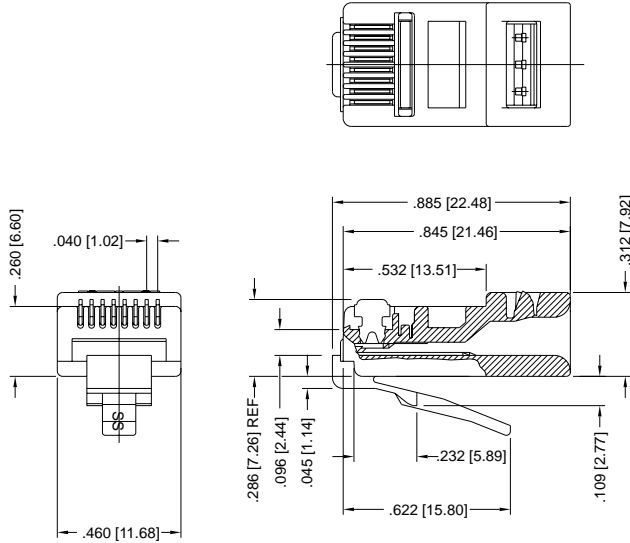
All dimensions are in inches with metric values in brackets.

Modular Plugs

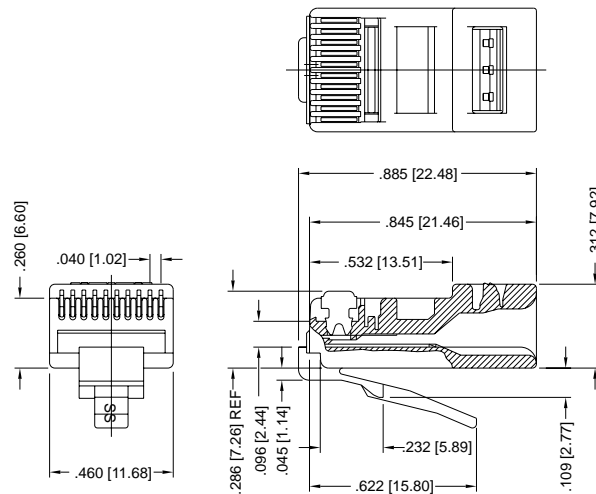
• Unshielded

30 Series

Eight-Contact,
Eight-Position
Unshielded



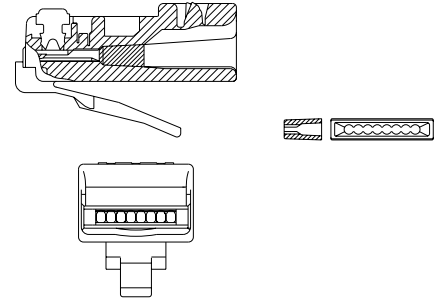
Ten-Contact,
Ten-Position
Unshielded



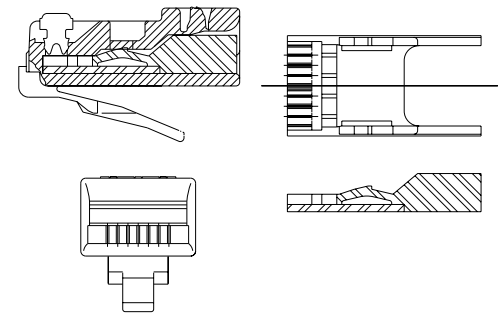
Variations

Management Systems

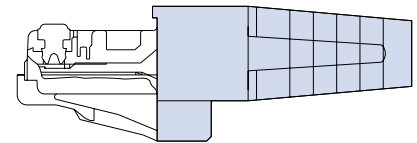
Management Bar



Load Bar



Flexible Strain Relief Boot



How to Order

EXAMPLE: 940 - 30 - SP - 30 8 8 R - K1 - X

Contact styles

- 937 for stranded conductor
- 940 for solid conductor

Plating options (microinches Au)

- Leave blank for standard 50
- 06, 15, or 30 - Optional

Plating styles

- SP - Selective plating
- DS - Double selective plating

Series number

Other options (consult Stewart)

Keying options

- K1, K2, RMK4, OST (MMJ)

Cable openings

- Leave blank for standard back opening
- R - radiused back
- OB - open back

Number of contact positions

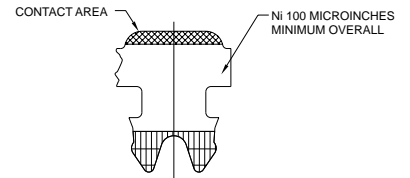
- 4, 6, 8, or 10

Number of contacts inserted

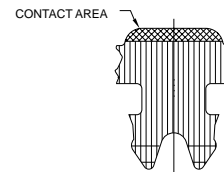
- 2, 4, 6, 8, or 10

Plating Styles

Double Selective Plate (DS)



Selective Plate (SP)



INDICATES PLATING ON TOP SURFACE. (AVAILABLE IN 50 OR 30 μIN. Au IN DS STYLE AND 50, 30, 15 AND 6 μIN. Au IN SP STYLE. BOTH WITH 3 μIN. FLASH UNDERPLATING.)

INDICATES PLATING AREA ON BOTTOM SURFACE. (AVAILABLE IN 3 MICROINCHES Au ONLY, BOTH SIDES.)

Note: For information on tooling, see pages 92-94.
All dimensions are in inches with metric values in brackets.