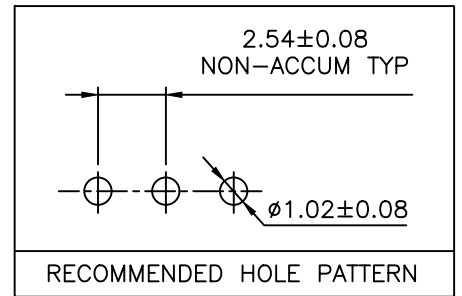
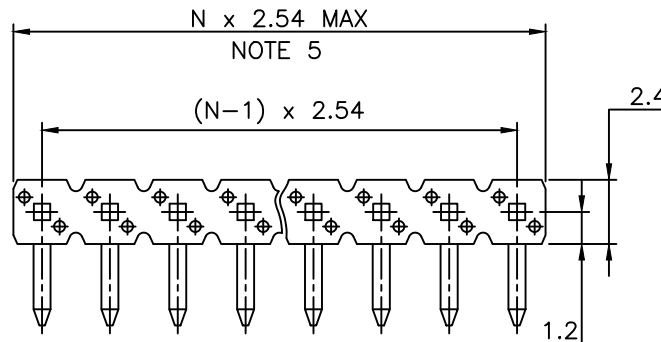


PRODUCT NUMBER

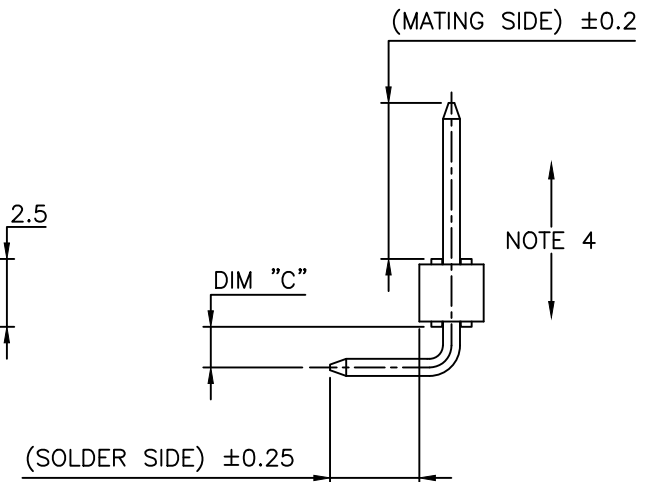
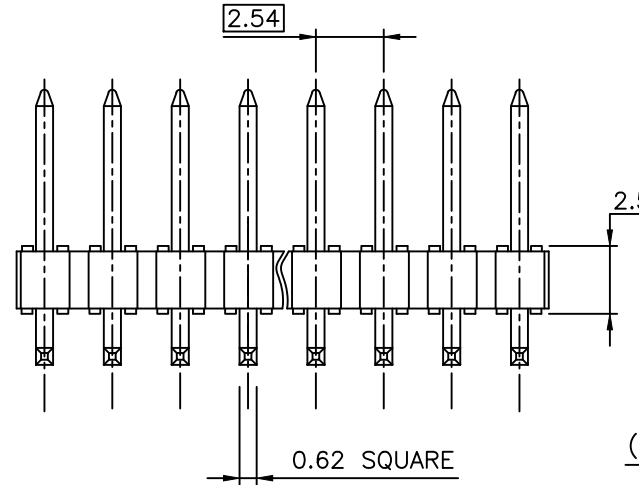
77315-YXX-XXLF

- RoHS COMPATIBLE
SEE NOTE 7
- TOTAL NB OF POSITIONS 01 TO 36
- PACKAGING, NOTE 3
- PIN STYLE SEE SHEET 2
- PLATING SEE SHEET 2



NOTES:

1. HOUSING MAT'L : HIGH TEMPERATURE THERMOPLASTIC. UL94V-0 COLOR: BLACK
2. PIN MATERIAL : PHOSPHOR BRONZE
3. PACKAGING:
 - PACKAGING POLYBAG OR BLIBOX
 - "V" BLIBOX PACK FOR CUSTOMER DEDICATED PART
 - "K" TAPE & REEL PACKAGING WITHOUT PICK UP CAP
4. 9N MIN RETENTION IN EITHER DIRECTION
5. TO DETERMINE DIMENSIONS :
N = NUMBER OF POSITIONS PER ROW
EXAMPLE : 8 POS $N \times 2.54 = 20.32\text{mm}$
6. UNDERPLATING : 1.27µm Ni MIN
7. RoHS COMPATIBLE PRODUCT SPECIFICATIONS
 - a - PLATING:
 - "LF" MEANS THE PRODUCT IS LEAD-FREE, 2µm MINIMUM MATTE TIN OVER 1.27µm MINIMUM NICKEL UNDERPLATE.
 - b - MANUFACTURING PROCESS COMPATIBILITY
 - THE HOUSING WILL WITHSTAND EXPOSURE TO 260°C ±5°C SOLDER BATH TEMPERATURE FOR 5 SECONDS IN A WAVE SOLDER APPLICATION WITH A 1.6mm MIN THICK CIRCUIT BOARD.
 - REFLOW COMPATIBLE
 - c - LABELING:
 - MEETS PACKAGING SPECS AS PER GS-14-920
 - d - LEGAL STATEMENT: SEE GS-47-0004



mat'l. code SEE NOTES				surface ISO 1302 ✓	tolerance ISO 406 ISO 1101	projection mm	product family BERGSTIK
ltr	ecn no	dr	date	tolerances unless otherwise specified	linear	mm	title UNSHR.HEADER RA SR TMT
BB	F-26544	LMU	17.11.20	.x ±0.3			dwg no 77315 sheet 1 of 2 size A3
BC	F-38749	DDE	20.10.26	.xx ±0.15			
BD	F-39738	DDE	21.01.22	.xxx ±0.05		scale 5:1	type CUSTOMER Drawing
BE	F-41253	DDE	21.06.17	dr	D.LE	01.01.24	
				enr	JM.C	01.01.24	
AY	F-25336	DDE	16.11.15	chr	JM.C	01.01.24	
BA	F-25361	DDE	16.11.16	appd	JF.N	01.01.24	
sheet	revision	BE	1				
index	sheet	1	2				

PRODUCT SPECIFICATIONS

PIN STYLE	MATING	SOLDER	DIM "C"
01	5.72	2.57	1.5
02	5.72	5.11	1.5
03	5.72	7.65	1.5
07	5.72	5.11	3.9
13	5.72	3.45	1.5
18	5.84	3.05	1.5
22	11.71	3.2	1.5
24	6.75	2.85	1.5
25	8.07	3.05	1.5
26	8.2	12.6	1.5
27	5	3.9	1.5
28	3.1	3.1	1.5
29	9.7	2.90	1.5
30	8.30	4.40	1.5
31	11.70	2.80	1.5
32	8.90	3.05	1.5
33	10.20	3.05	1.5
34	10.00	3.25	1.5
35	5.72	12.73	1.5
36	N/A		
37	N/A		
38	8.51	5.51	1.5
39	9.80	9.30	1.5
40	8.13	2.54	3.90
41	14.20	3.05	1.5
42	9.00	7.20	1.5
43	8.08	2.79	1.5
44	15.70	2.79	1.5
45	8.20	2.35	1.5
46	3.10	9.90	1.5
47	2.30	2.30	1.5
48	3.50	3.05	1.5
49	6.60	4.52	1.5
50	7.00	9.00	4.46
51	7.60	10.50	1.5

PRODUCT SPECIFICATIONS

PIN STYLE	MATING	SOLDER	DIM "C"
52	2.54	3.05	1.5
53	1.2	2.30	1.5
54	2.5	7.40	2.66
55	5.1	5.1	1.5
56	3.0	5.83	3.4
57	4.50	3.05	1.5
58	4.50	2.29	1.5

PLATING

- 1 = 0.76µm GOLD/GXT ON CONTACT AREA, 2µm TIN MIN ON TAIL
- 4 = 3µm-5µm TIN FULL PLATED REFLOW
- 5 = 0.25µm GOLD/GXT ON CONTACT AREA, 2µm TIN MIN ON TAIL
- 8 = 0.38µm GOLD/GXT ON CONTACT AREA, 2µm TIN MIN ON TAIL
- G = 0.76µm FULL GXT
- S = 0.38µm FULL GXT
- 1.27µm NICKEL MIN UNDERLAYER FOR ALL PLATING VERSIONS



FCIconnect.com

Copyright FCI

mat'l. code				surface		tolerance		projection		product family	
SEE NOTES				ISO 1302 <input checked="" type="checkbox"/>		ISO 406 ISO 1101				BERGSTIK	
ltr	ecn no	dr	date	tolerances unless otherwise specified				title			
AX	F-41253	DDE	21.06.17	angles	linear	.x ±0.3		UNSHR.HEADER			
						.xx ±0.15		RA SR TMT			
AS	F-24328	AMA	16.06.17			.xxx ±0.05	scale 5:1				
AT	F-25336	DDE	16.11.15	dr	D.LE	01.01.24		dwg no		sheet 2 of 2	size
AU	F-25361	DDE	16.11..16	enr	JM.C	01.01.24		77315			A3
AV	F-26544	LMU	17.11.20	chr	JM.C	01.01.24		type		CUSTOMER	Drawing
AW	F-38749	DDE	20.10.26	appd	JF.N	01.01.24					
sheet	revision										
index	sheet										