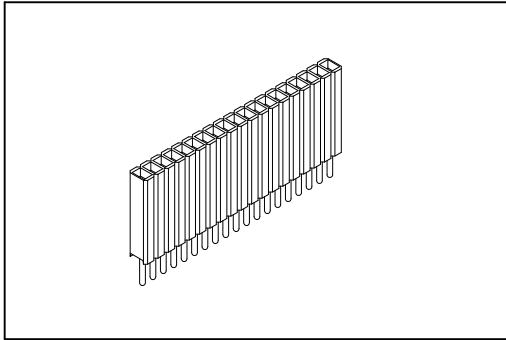


2246 Series

P.C.B. Socket 1.27mm(0.050")



Material:

Housing: High Temperature Plastic UL94V-0.

Contacts: Copper Alloy.

Electrical Characteristics:

Current Rating: 1 A.

Dielectric Withstanding Voltage: AC 500V.

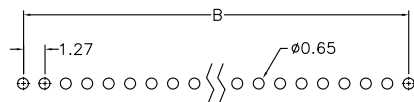
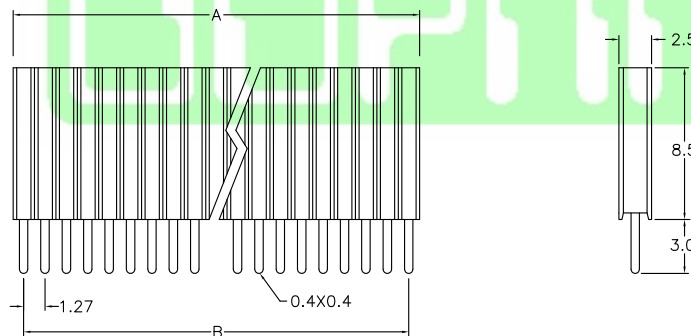
Insulator Resistance: 1000MΩ min.

Contact Resistance: 20mΩ max.

Operating Temperature: -40°C~+105°C.

Features:

- * Straight Type.
 - * High profile 8.5mm(0.335").
 - * Mates with 0.46mm(0.018") square pin.
 - * Additional plating options available.
- Mates with: 2211,2212,2214.



P.C. Board Layout

Position Dimension	2 Thru 35
A	1.27 X No. of Positions
B	1.27 X No. of Positions -1.27

Ordering information

2246- Series
1 Single Row
X
35 No. of Pin Per Row
G G: Gold Plated
00 00: G/F
S S: Straight
U U: Tube Package