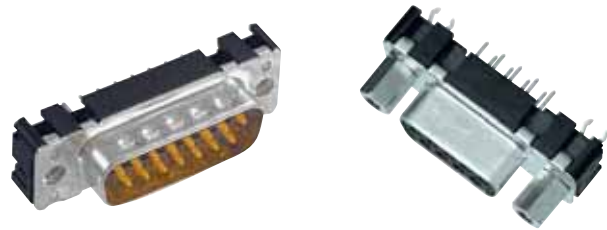


Number of contacts

# 9-37



SMC stamped solder pins, straight with/without grounding board locks

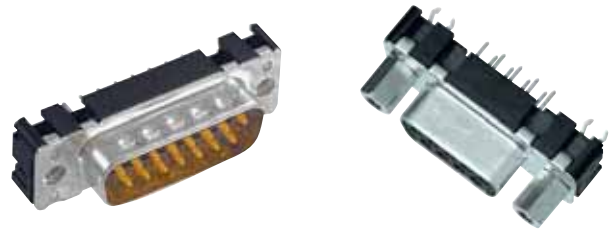
Identification	No. of contacts	Part No.	
<b>Performance levels</b> Explanations see page 05.170 Other performance levels on request		Performance level	
		3	2
<b>Male connector</b> metal shell with dimples			
Without grounding board locks	9 15 25 37	09 65 129 770 . 09 65 229 770 . 09 65 329 770 . 09 65 429 770 .	09 65 129 670 . 09 65 229 670 . 09 65 329 670 . 09 65 429 670 .
With grounding board locks	9 15 25 37	09 65 169 771 . 09 65 269 771 . 09 65 369 771 . 09 65 469 771 .	09 65 169 671 . 09 65 269 671 . 09 65 369 671 . 09 65 469 671 .
<b>Female connector</b> metal shell			
Without grounding board locks	9 15 25 37	09 66 115 750 . 09 66 215 750 . 09 66 315 750 . 09 66 415 750 .	09 66 115 650 . 09 66 215 650 . 09 66 315 650 . 09 66 415 650 .
With grounding board locks	9 15 25 37	09 66 155 751 . 09 66 255 751 . 09 66 355 751 . 09 66 455 751 .	09 66 155 651 . 09 66 255 651 . 09 66 355 651 . 09 66 455 651 .
Please insert digit for flange thread or fitted female screw locks			
M3 ▶ 1			
4-40 UNC ▶ 2			
fitted screw locks 4-40 UNC ▶ 3 <sup>1)</sup>			

D-Sub

<sup>1)</sup> Fitted screw locks 4-40 UNC not normally kept in stock for performance level 3  
Connector dimensions see page 05.173. Mating conditions see page 05.170.

Number of contacts

**9-37**



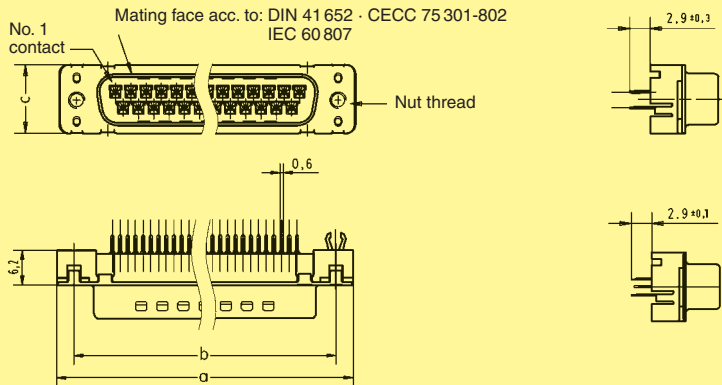
SMC stamped solder pins, straight with/without grounding board locks

Identification

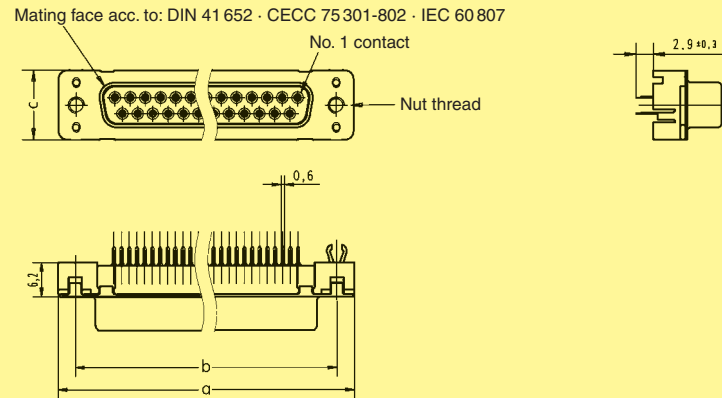
Drawing

Dimensions in mm

Male connector



Female connector



	a	b <sub>±0.1</sub>	c	g		h	
9	30.9	25.0	12.5	4 x	2.74 =	10.96	3 x 2.74 = 8.22
15	39.2	33.3	12.5	7 x	2.74 =	19.18	6 x 2.74 = 16.44
25	53.1	47.0	12.5	12 x	2.76 =	33.12	11 x 2.76 = 30.36
37	69.4	63.5	12.5	18 x	2.76 =	49.68	17 x 2.76 = 46.92

Board drillings

