

PRODUCT NUMBER
75168-YXX-XXLF

INDICATES THE PRODUCT IS RoHS COMPLIANT & COMPATIBLE, SEE NOTE 8

TOTAL NB OF POSITIONS 02 TO 36

PLATING:

PIN STYLE SEE SHEET 2

1 = 0.76µm FULL GOLD/GXT, OVER 1.27µm Ni MIN

3 = 3.81µm FULL TIN/LEAD OVER 1.27µm Ni MIN.

WHEN "LF" IS REQUIRED, 2µm MATTE TIN OVER

1.27µm MIN NICKEL IS PROVIDED INSTEAD OF TIN-LEAD

8 = 0.38µm FULL GOLD/GXT, OVER 1.27µm Ni MIN

NOTES:

1. HOUSING MAT'L : HIGH TEMPERATURE THERMOPLASTIC FLAME RETARDANT PER UL94-V0, COLOR BLACK.

2. PIN MATERIAL : PHOSPHOR BRONZE.

3. DIM 1.27^{+0.03} FOR MOULDED SIDE(S) ONLY. IF SIDE(S) ARE BROKEN, DIM 1.02 TO 1.7 MAX APPLIES.

4. PIN PUSH OUT FORCE : 12N MIN.

5. PRODUCT PACKAGED IN POLY BAGS.

6. TO DETERMINE DIMENSIONS :
N = NUMBER OF POSITIONS
EXAMPLE : 8 POS N x 2.54 = 20.32mm

7. FOR STANDARD SELECTIVE GOLD PLATED PRODUCTS, SEE DRAWING 77315.

8. RoHS COMPATIBLE PRODUCT SPECIFICATIONS

a - SUFFIX "LF" IS ADDED JUST FOR EASY LEADFREE IDENTIFICATION FOR PLATING VERSION 1 & 8.

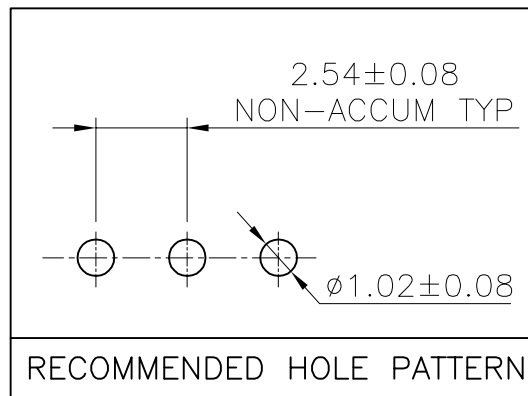
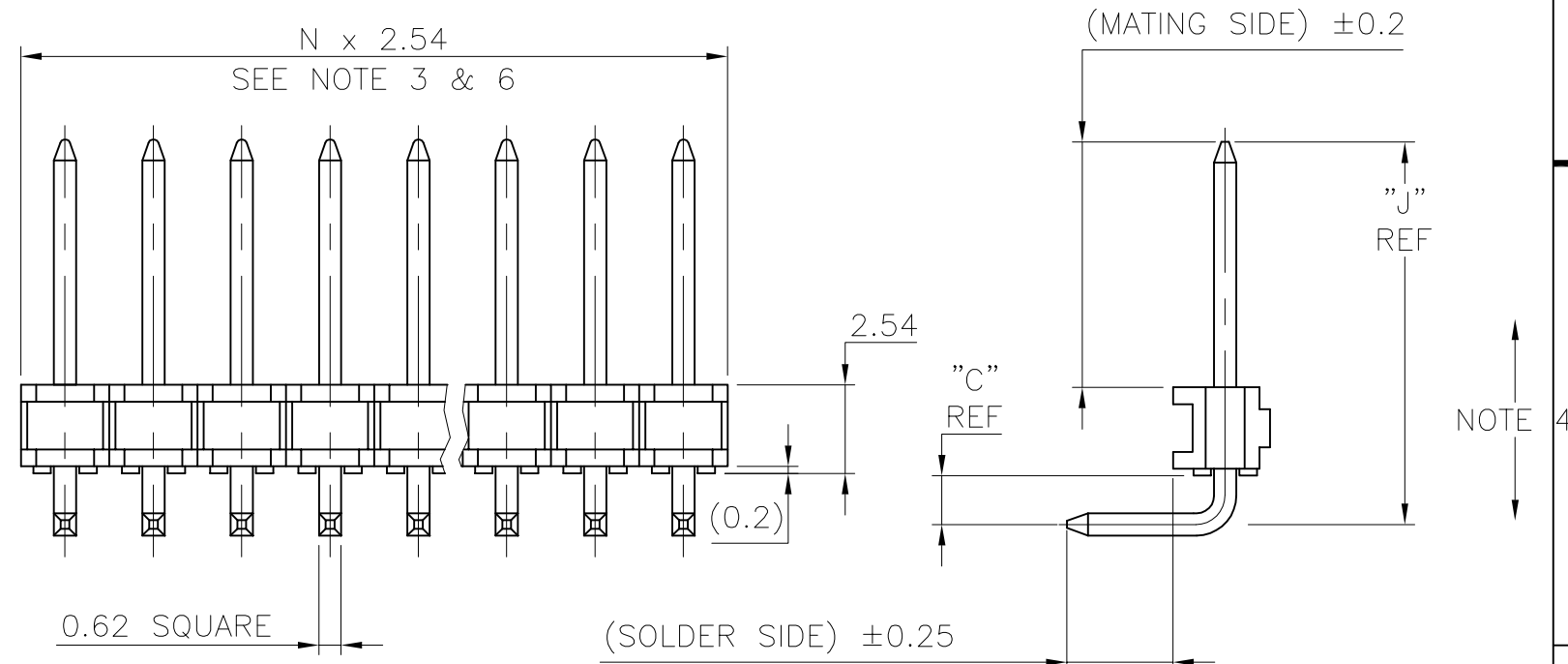
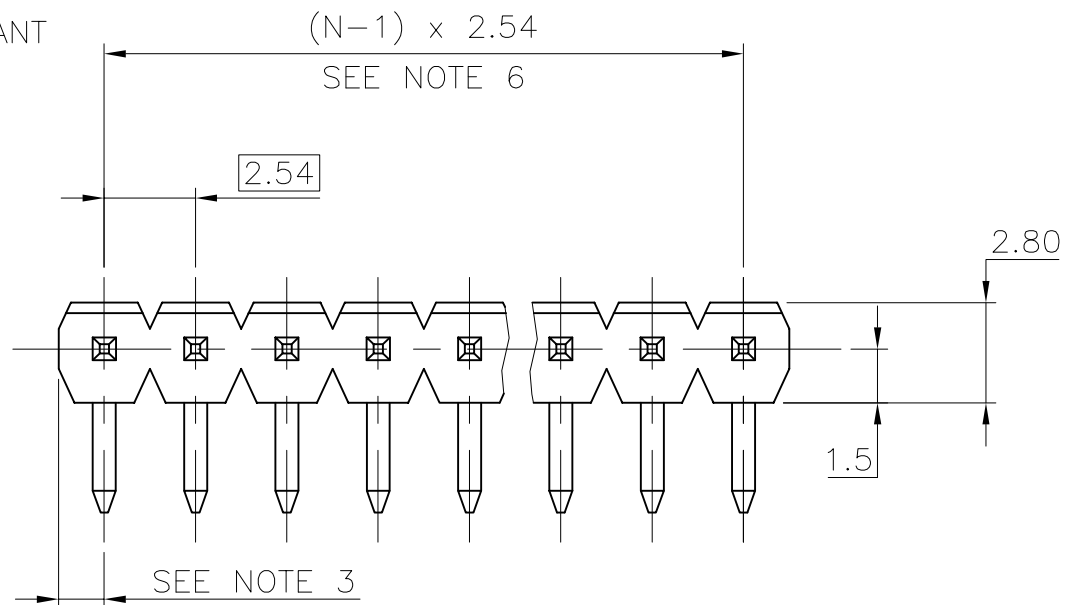
b - MANUFACTURING PROCESS COMPATIBILITY

- THE HOUSING WILL WITHSTAND EXPOSURE TO 260°C ±5°C SOLDER BATH TEMPERATURE FOR 5 SECONDS IN A WAVE SOLDER APPLICATION WITH A 1.6mm MIN THICK CIRCUIT BOARD.

c - LABELING:

- MEETS PACKAGING SPECS AS PER GS-14-920

d - LEGAL STATEMENT: SEE GS-22-008



mat'l. code SEE NOTE 1				surface ISO 1302 ✓		tolerance ISO 406 ISO 1101		projection mm		product family BSTIK			
ltr	ecn no	dr	date	tolerances unless otherwise specified		.x ±0.3		mm		title HEADER,SR,RA, POL,2.54mm			
AG	F06-0196	LMU	06.06.20	angles		.xx ±0.15		scale 5:1		dwg no 75168			
AH	F08-0148	JCO	08.05.27	linear		xxx ±0.05		FCJ		sheet 1 of 2 A3			
AC	F10167	LMU	01.03.12	dr	MULIN L	99.03.29			type CUSTOMER Drawing				
AD	F20116	DLE	02.01.15	enr	JMC	99.03.29							
AE	F20149	DLE	02.02.19	chr									
AF	F05-0186	LMU	05.05.02	appd	JMC	99.03.29							
sheet index	revision sheet	AH	AE										
		1	2										



FCIconnect.com

Copyright FCI



1

2 3

4

5

6

APPLICATION SPECIFIC

PIN STYLE	MATING	SOLDER	"C"	"J"
01	5.72	2.57	1.4	9.65
02	5.72	5.11	1.4	9.65
03	5.72	7.65	1.4	9.65
04	5.72	10.19	1.4	9.65
05	5.72	12.73	1.4	9.65
07	5.72	5.11	3.94	12.19
08	5.72	7.65	3.94	12.19
09	5.72	10.19	3.94	12.19
10	5.72	12.73	3.94	12.19
11	5.72	15.27	3.94	12.19
13	5.72	3.45	1.4	9.65
14	5.72	5.99	3.94	12.19
15	5.72	8.53	6.48	14.73
16	8.51	3	1.4	12.45
17	8.51	5.54	3.94	14.99
19	5.72	3.05	1.4	9.66
20	5.84	2.29	1.4	9.78
21	5.72	11.07	9.02	17.27
22	11.71	3.2	1.4	15.65
23	3	2.94	1.94	7.44
24	4.8	6.16	1.94	9.28
27	3.55	3.3	1.4	7.49
28	10	3.2	1.4	13.94

A

A

B

B

C

C

D

D

mat'l. code SEE SHEET 1				surface ISO 1302 <input checked="" type="checkbox"/> ISO 406 ISO 1101		tolerance ISO 406 ISO 1101		projection 		product family BSTIK	
ltr	ecn no	dr	date	tolerances unless otherwise specified				title HEADER,SR,RA, POL,2.54mm			
Y	F40199	JMC	94.03.11	angles	linear	mm		dwg no 75168 sheet 2 of - size A3			
AA	F90191	LMU	99.03.29			scale					
AB	F00196	LMU	00.04.19					type CUSTOMER Drawing			
AC	F10167	LMU	01.03.12	dr	MULIN L	99.03.29					
AD	F20116	DLE	02.01.15	enr	JMC	99.03.29					
AE	F06-0196	LMU	06.06.20	chr				FCJ logo			
				appd	JMC	99.03.29					
sheet index		revision sheet									

form: A3

1

2

3

4

5

6