

FEATURES AND OPTIONS

- 10, 14, 16, 20, 26, 34, 40, 50 and 60 positions
- Available with long latches for strain relief covers, short latches or without latches
- Latches easily attach by snapping into connector
- Contact tail options include wire wrap, .114" or .177" solder tails
- Plating options of 30μ" gold, gold flash or full tin
- Available in either straight or right angle styles
- Mates with Assmann part number series: AWP

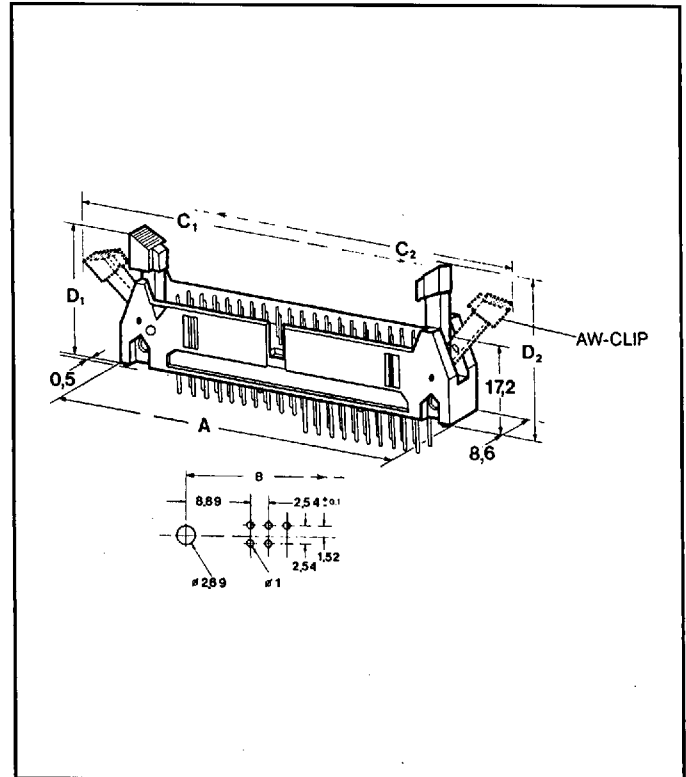
SPECIFICATIONS

MATERIALS

Contact: Phosphor Bronze
 Insulator: Polyester GV, VO, UL 94 - color grey

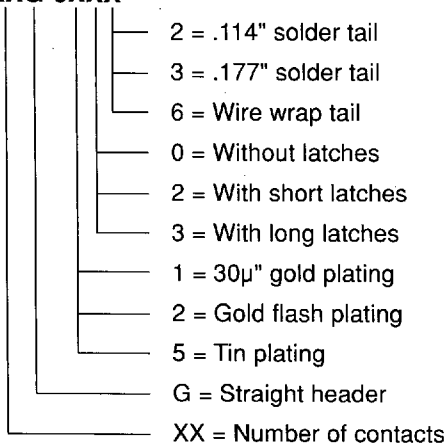
ELECTRICAL

Current rating: 1 amp.
 Test voltage: 1000 V_{eff}
 Operating temperature range: -65°C to +150°C
 Insulation resistance: (10 x 9 ohms)



HOW TO ORDER

AWHXXG-OXXX



Latch part numbers =

AWLL = Long latches for strain relief
AWLS = Short latches for no strain relief

DIMENSIONS

# of pins	A	B	C ₁	C ₂	D ₁	D ₂
10 pin	32.3 1.272	27.9 1.098	44.5 1.752	50.0 1.968	23.1 0.909	26.5 1.043
14 pin	37.3 1.469	33.0 1.299	49.5 1.949	55.0 2.165	23.1 0.909	26.5 1.043
16 pin	39.9 1.571	35.6 1.401	52.1 2.051	57.6 2.268	23.1 0.909	26.5 1.043
20 pin	44.8 1.764	40.6 1.598	57.0 2.244	62.5 2.460	23.1 0.909	26.5 1.043
26 pin	52.4 2.063	48.3 1.902	64.6 2.544	70.1 2.760	23.1 0.909	26.5 1.043
34 pin	62.6 2.465	58.4 2.298	74.8 2.945	80.3 3.162	23.1 0.909	26.5 1.043
40 pin	70.2 2.764	66.0 2.598	82.4 3.245	87.9 3.460	23.1 0.909	26.5 1.043
50 pin	83.0 3.268	78.7 3.099	95.2 3.748	100.7 3.965	23.1 0.909	26.5 1.043
60 pin	95.7 3.768	91.4 3.598	107.9 4.248	113.4 4.465	23.1 0.909	26.5 1.043