

Single Row

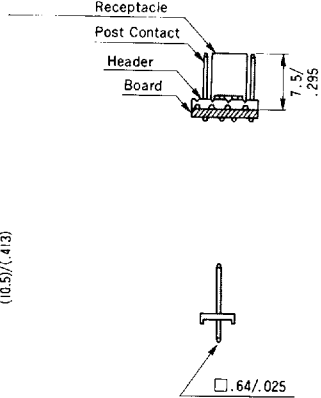
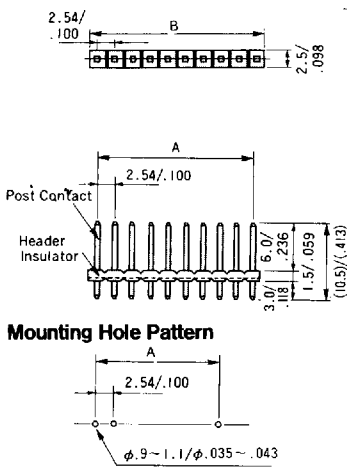
Mating Condition

SERIES

8261

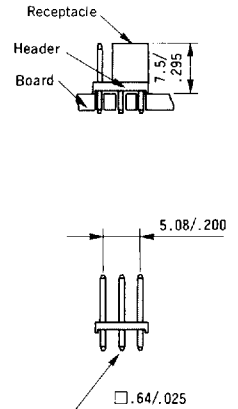
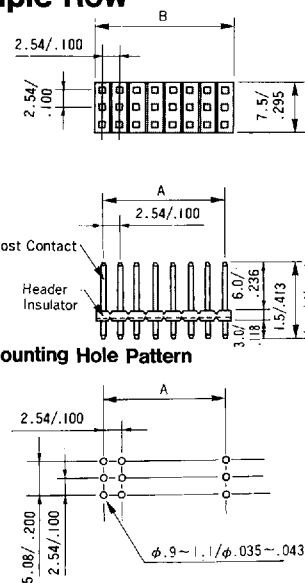
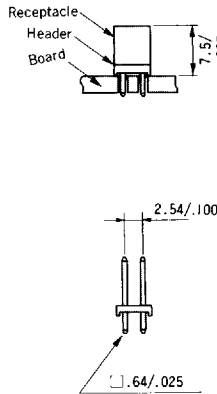
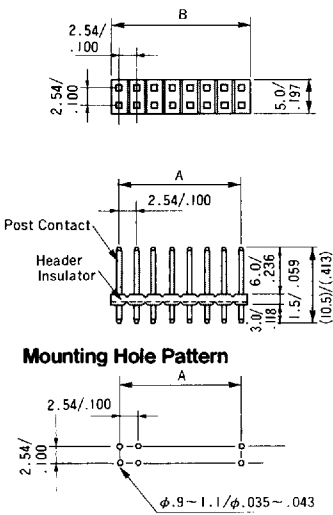
HEADER SQUARE POST

A-61-05-07



Dual Row

Triple Row



Dimensions mm/inches

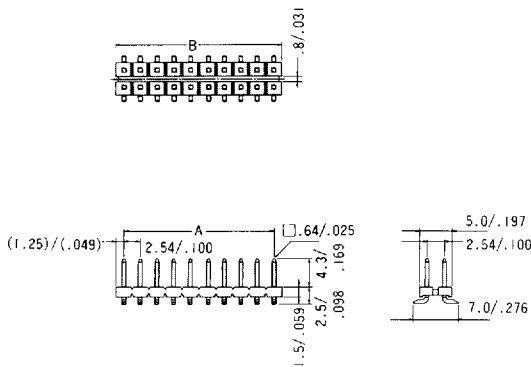
ORDERING CODE

Typical Example **00 8261 0161 10 806**

Dual Row SMT

NUMBER OF CONTACTS

Single Row	Dual Row	Triple Row	A	B
1	2	3		2.54/.100
2	4	6	2.54/.100	5.08/.200
3	6	9	5.08/.200	7.62/.300
4	8	12	7.62/.300	10.16/.400
5	10	15	10.16/.400	12.70/.500
6	12	18	12.70/.500	15.24/.600
7	14	21	15.24/.600	17.78/.700
8	16	24	17.78/.700	20.32/.800
9	18	27	20.32/.800	22.86/.900
10	20	30	22.86/.900	25.40/1.000
—	—	33	25.40/1.000	27.94/1.100
—	—	36	27.94/1.100	30.48/1.200



CONTACT ROW

61:Single Row 32: Dual Row 33: Triple Row
(SMT Type Available only Dual Row)

VARIATION CODE

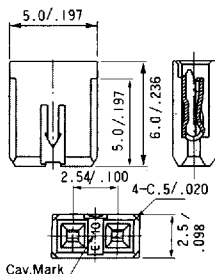
00: Square Post
10: Square Post
14: Square Post (SMT Type)

FINISH CODE

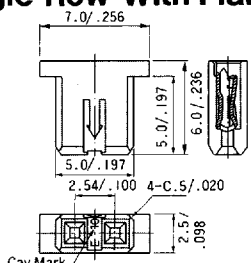
806: Gold. $1\mu\text{m}$ Min./ 4μ in Min.
854: Gold. $38\mu\text{m}$ Min./ 15μ in Min.
852: Gold. $76\mu\text{m}$ Min./ 30μ in Min.

(Single Row is Available with only PPS.)
(SMT Type Available only Dual Row 4~20 pos.)

Single Row



Single Row With Flange



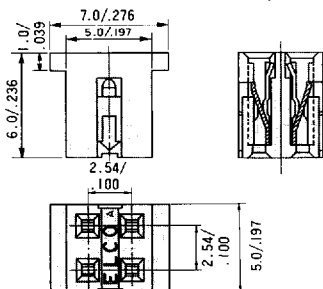
SERIES

8261

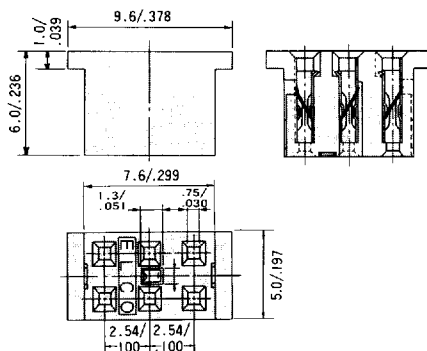
RECEPTACLE

A-61-05-11
A-61-15

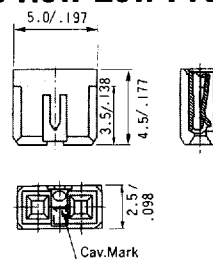
Dual Row With Flange



Triple Row With Flange



Single Row Low Profile



Dimensions mm/inches

ORDERING CODE

Typical Example 20 8261 0249 06 807

TYPE

20: Single

VARIATION CODE

Code	Type
0249	Without Flange
0289	With Flange
0279	Low Profile

COLOR CODE

Code	Color
06	Moss Green
00	Green
07	Blue

FINISH CODE

Code	Gold Mating Area	Remarks
807	.1μm '4μ'	
878	.38μm '15μ'	
870	.76μm '30μ'	Others Flash Gold

Typical Example 00 8261 0402 06 807

TYPE

00: Dual, Triple

VARIATION CODE

Code	Type
0402	Dual With Flange
0653	Triple With Flange

COLOR CODE

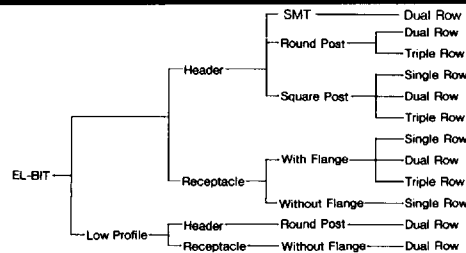
Code	Color
06	Moss Green

FINISH CODE

Code	Gold Mating Area	Remarks
807	.1μm '4μ'	
878	.38μm '15μ'	
870	.76μm '30μ'	Others Flash Gold

Features/Specifications

- 6.0/7.5mm(.236/.295in) Mounting high. 2.54mm(.100in) Contact Spacing.
- Current Rating 3A Maximum
- Contact Resistance 12mΩ Maximum
- Insulation Resistance 1000MΩ Minimum
- Dielectric Withstanding Voltage 750V rms
- Receptacle Contact Mate CA725, Plating-Gold over Nickel
- Post Contact Material Phosphor bronze, Plating-Gold over Nickel
- Receptacle Insulator Material PBT
- Header Insulator Material PPS



*Drawings shown are for reference only. For precise calculations, assembly drawings are available. Specifications are subject to change without notice for improvement.

Printed in Japan 1993-10-2T-S



KYOCERA ELCO CORPORATION

1794 Nippa-cho, Kohoku-ku
Yokohama 223, Japan

Phone:045-543-7185 Fax:045-545-1499

ELCO U.S.A.

Huntingdon Industrial Park Huntingdon, PA 16652 U.S.A.
Tel.1-800-653-ELCO(3526) Tel.814-643-0700 Fax.814-643-0426

ELCO EUROPE GmbH

European Headquarters Benjamin-Fox-Strasse 1 D-5240
Betzdorf Germany
Tel.49-2741-2990 Fax.49-2741-299299

ELCO EUROPE LTD.

Exning Road P.O. Box 19 Newmarket, Suffolk England, CB80BB
Tel.44-638-864514 Fax.44-638-661233 Telex.81519

ELCO HONG KONG LTD.

Piagga Industrial Bldg,14/F, 13 Hoi BUN RD, KWVN Tong, Kowloon, H.K
Tel.852-342-4395 Fax.852-343-2472

ELCO KOREA. LTD.

183-1 Kuro 3-Dong Kuro-ku, Seoul, Korea
Tel.82-2-868-0147 Fax.82-2-868-6600

ELCO S.E. ASIA PTE., LTD.

39A Jalan Pemimpin #02-00 TAL Bldg., Singapore 2057
Tel.65-353-8312 Fax.65-353-8315

AVX-Kyocera ASIA. LTD.

39A Jalan Pemimpin #07-00 TAL Bldg., Singapore 2057
Tel.65-258-2833 Fax.65-258-8221