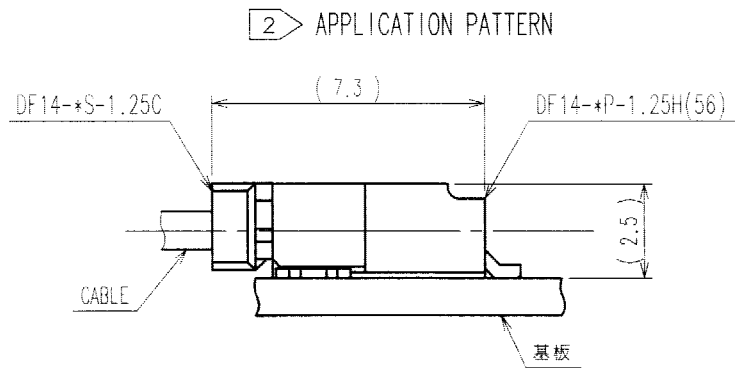
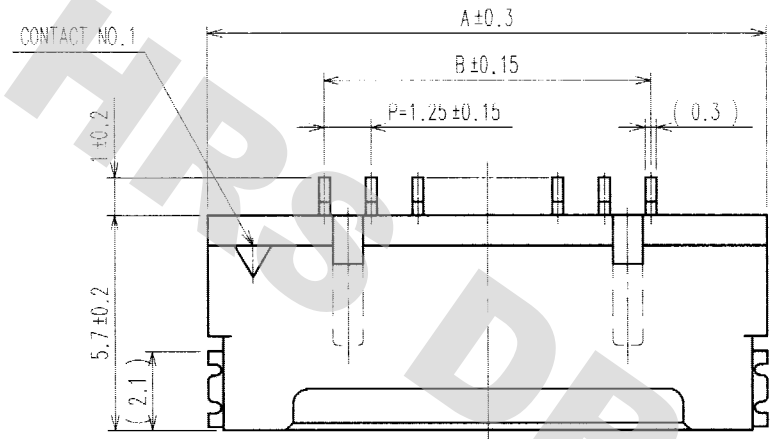
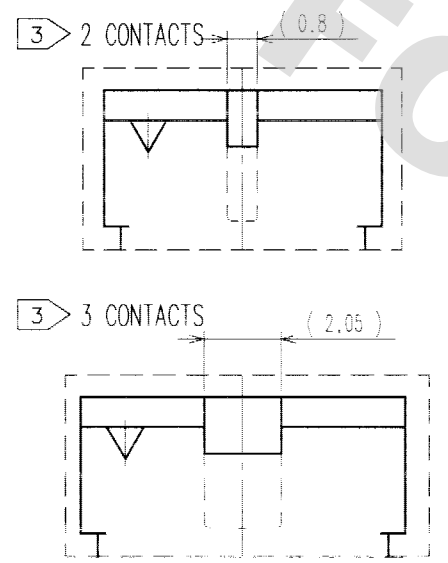
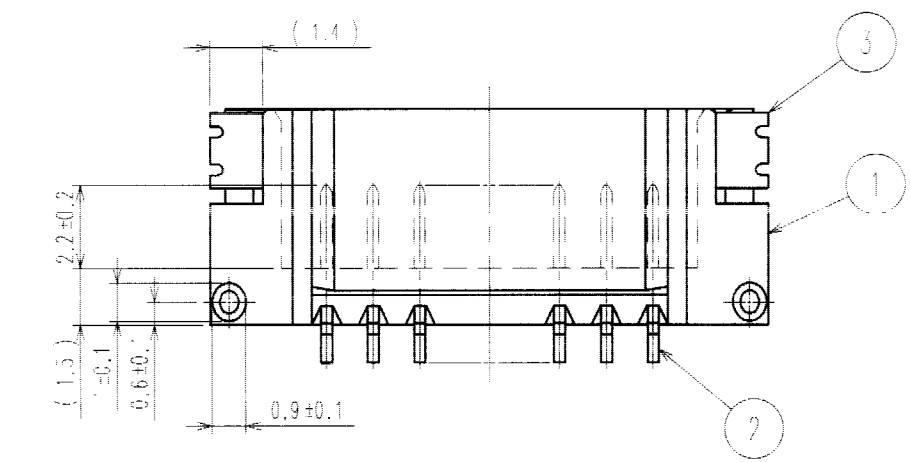
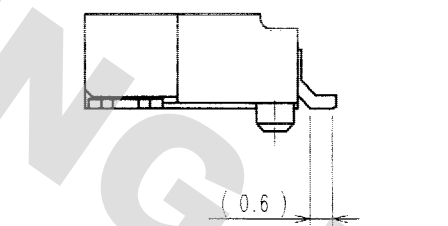
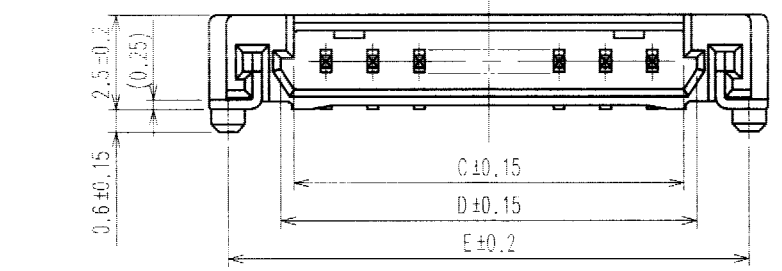


DRAWING FOR REFERENCE: This is subject to change without notice  
08/11/2012

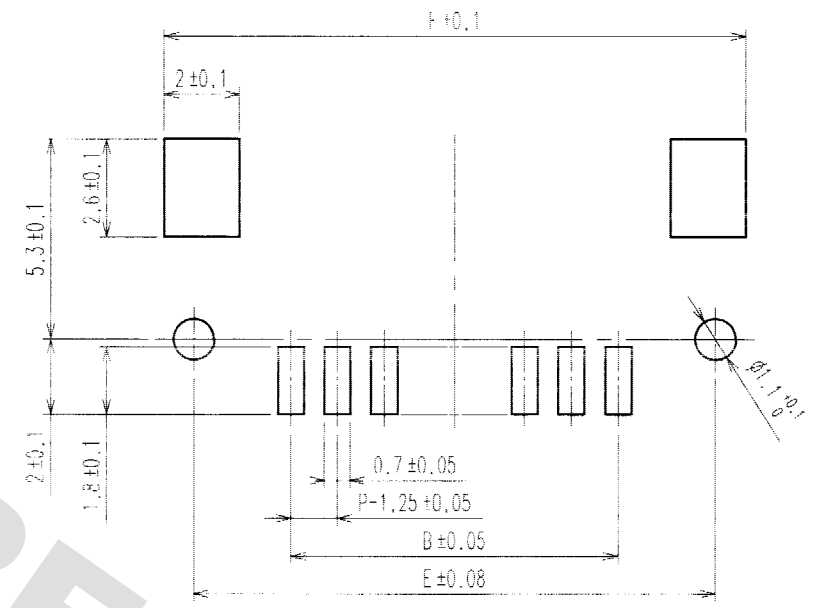
COUNT	DESCRIPTION OF REVISIONS	BY	CHKD	DATE	COUNT	DESCRIPTION OF REVISIONS	BY	CHKD	DATE



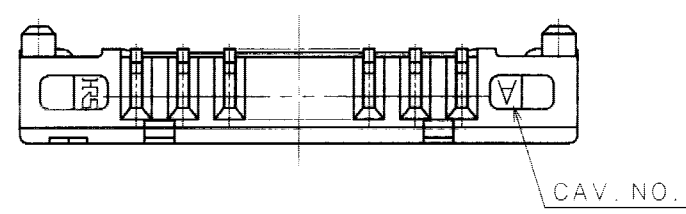
PART NO.	HRS NO.	CONTACTS	A	B	C	D	E	F
DF14- 2P-1.25H(56)	CL538-0021-4-56	2	7.45	1.25	2.95	3.65	6.45	8.05
DF14- 3P-1.25H(56)	CL538-0022-7-56	3	8.70	2.50	4.20	4.90	7.70	9.30
DF14- 4P-1.25H(56)	CL538-0023-0-56	4	9.95	3.75	5.45	6.15	8.95	10.55
DF14- 5P-1.25H(56)	CL538-0024-2-56	5	11.20	5.00	6.70	7.40	10.20	11.80
DF14- 6P-1.25H(56)	CL538-0025-5-56	6	12.45	6.25	7.95	8.65	11.45	13.05
DF14- 7P-1.25H(56)	CL538-0026-8-56	7	13.70	7.50	9.20	9.90	12.70	14.30
DF14- 8P-1.25H(56)	CL538-0027-0-56	8	14.95	8.75	10.45	11.15	13.95	15.55
DF14- 9P-1.25H(56)	CL538-0028-3-56	9	16.20	10.00	11.70	12.40	15.20	16.80
DF14-10P-1.25H(56)	CL538-0029-6-56	10	17.45	11.25	12.95	13.65	16.45	18.05
DF14-15P-1.25H(56)	CL538-0084-4-56	15	23.70	17.50	19.20	19.90	22.70	24.30
DF14-20P-1.25H(56)	CL538-0089-8-56	20	29.95	23.75	25.45	26.15	28.95	30.55
DF14-25P-1.25H(56)	CL538-0094-8-56	25	36.20	30.00	31.70	32.40	35.20	36.80
DF14-30P-1.25H(56)	CL538-0020-1-56	30	42.45	36.25	37.95	38.65	41.45	43.05



RECOMMENDED PATTERN



NOTE 1. LEAD CO-PLANALITY INCLUDE REINFORCED METAL FITTING SHALL BE 0.1 MAX.  
 2. WHEN THIS CONNECTOR MATES WITH DF14-\*S-1.25C, THE MATING LENGTH IS 7.3mm.  
 3. FOR CONNECTORS, 2 OR 3 CONTACTS, SIMPLIFIED LOCK HOLE SHALL BE SET AT THE CENTER OF HOUSING.



2	BRASS	CONTACT AREA: GOLD PLATED 0.1μm min LEAD AREA: TIN-COPPER PLATED 1μm min UNDER PLATING: NICKEL PLATED 1μm min	5	POLYESTER	CLEAR (COVER TAPE)
1	POLYAMIDE	BEIGE, UL94V-0	4	A-PET	CLEAR (EMBOSSED CARRIER TAPE)
			3	PHOSPHOR BRONZE	TIN-COPPER PLATED 1μm min UNDER PLATING: NICKEL PLATED 0.5μm min
NO.	MATERIAL	FINISH, REMARKS	NO.	MATERIAL	FINISH, REMARKS

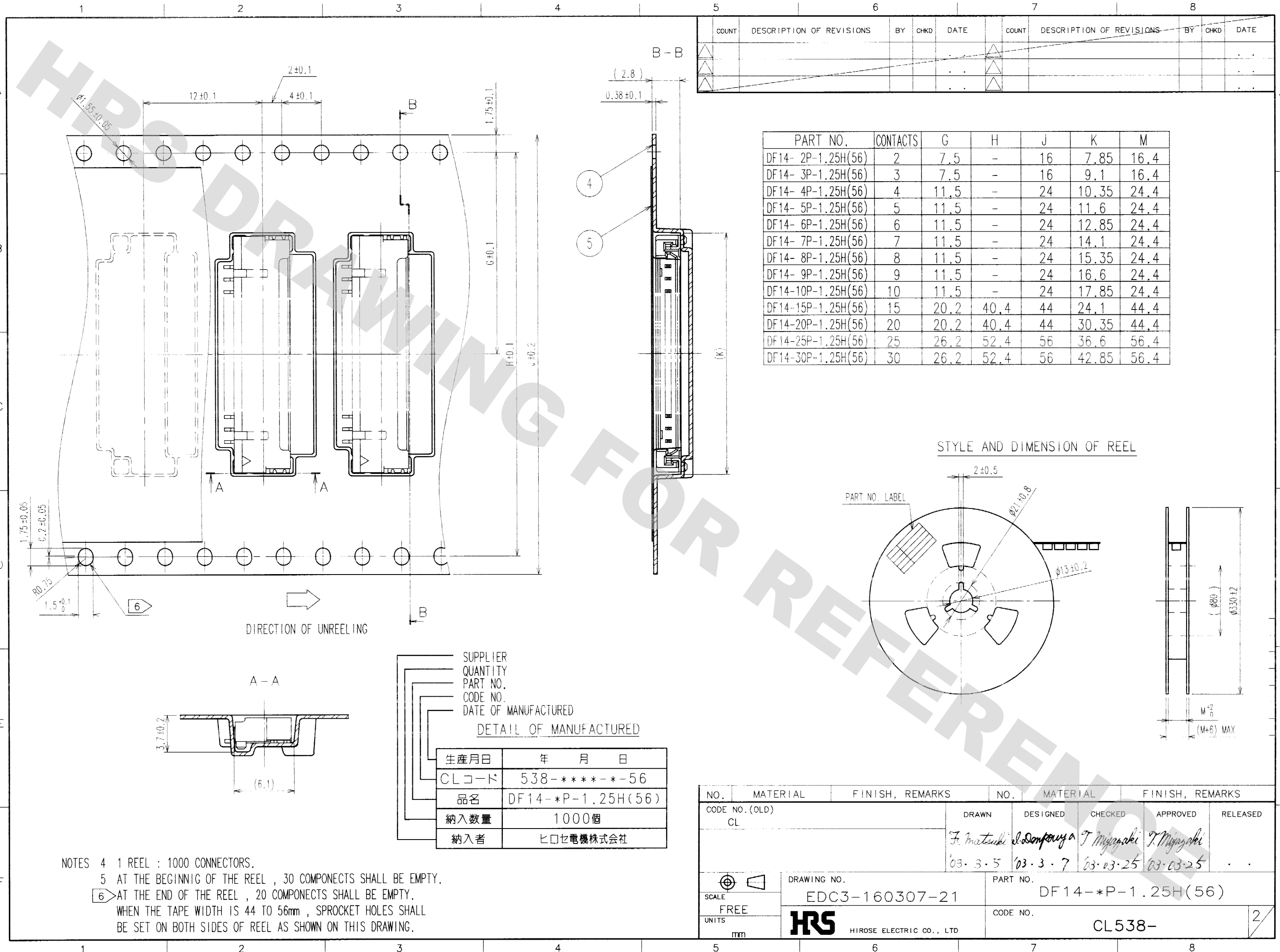
CODE NO. (OLD)	DRAWN	DESIGNED	CHECKED	APPROVED	RELEASED
CL	F. Matsuki	I. Tomiyasu	T. Miyazaki	T. Miyazaki	
	03.3.5	03.3.7	03.03.25	03.03.25	

SCALE	DRAWING NO.	PART NO.
5 : 1	EDC3-160307-21	DF14-*P-1.25H(56)
UNITS	HRS	CODE NO.
mm	HIROSE ELECTRIC CO., LTD	CL538-

TO

1/2 (NC)

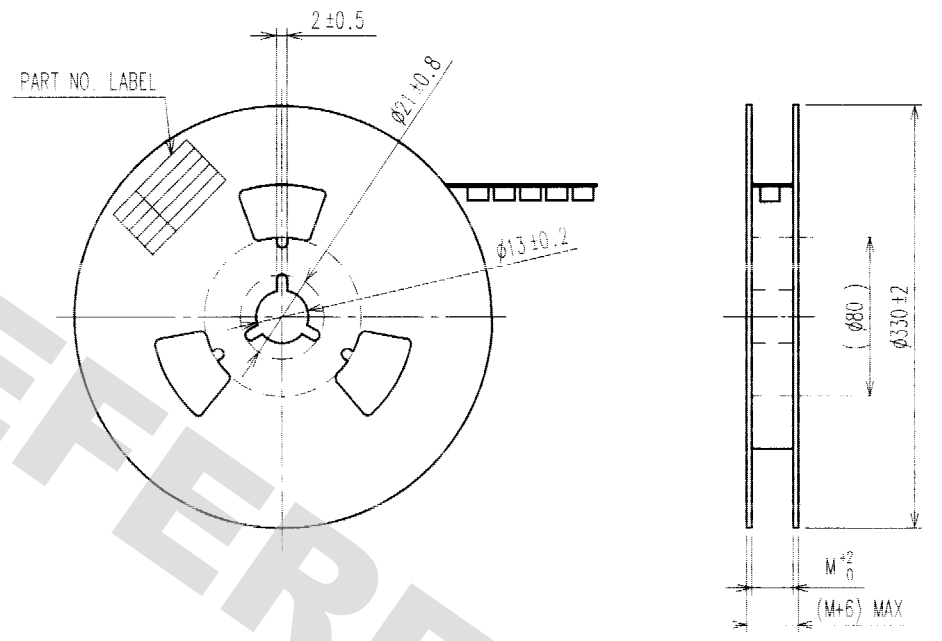
DRAWING FOR REFERENCE: This is subject to change without notice  
08/11/2012



COUNT	DESCRIPTION OF REVISIONS	BY	CHKD	DATE	COUNT	DESCRIPTION OF REVISIONS	BY	CHKD	DATE

PART NO.	CONTACTS	G	H	J	K	M
DF14- 2P-1.25H(56)	2	7.5	-	16	7.85	16.4
DF14- 3P-1.25H(56)	3	7.5	-	16	9.1	16.4
DF14- 4P-1.25H(56)	4	11.5	-	24	10.35	24.4
DF14- 5P-1.25H(56)	5	11.5	-	24	11.6	24.4
DF14- 6P-1.25H(56)	6	11.5	-	24	12.85	24.4
DF14- 7P-1.25H(56)	7	11.5	-	24	14.1	24.4
DF14- 8P-1.25H(56)	8	11.5	-	24	15.35	24.4
DF14- 9P-1.25H(56)	9	11.5	-	24	16.6	24.4
DF14-10P-1.25H(56)	10	11.5	-	24	17.85	24.4
DF14-15P-1.25H(56)	15	20.2	40.4	44	24.1	44.4
DF14-20P-1.25H(56)	20	20.2	40.4	44	30.35	44.4
DF14-25P-1.25H(56)	25	26.2	52.4	56	36.6	56.4
DF14-30P-1.25H(56)	30	26.2	52.4	56	42.85	56.4

STYLE AND DIMENSION OF REEL



SUPPLIER  
QUANTITY  
PART NO.  
CODE NO.  
DATE OF MANUFACTURED

DETAIL OF MANUFACTURED

生産月日	年 月 日
CLコード	538-****-**-56
品名	DF14-*P-1.25H(56)
納入数量	1000個
納入者	ヒロセ電機株式会社

NOTES  
 4 1 REEL : 1000 CONNECTORS.  
 5 AT THE BEGINNIG OF THE REEL , 30 COMPONECTS SHALL BE EMPTY.  
 6 AT THE END OF THE REEL , 20 COMPONECTS SHALL BE EMPTY.  
 WHEN THE TAPE WIDTH IS 44 TO 56mm , SPROCKET HOLES SHALL BE SET ON BOTH SIDES OF REEL AS SHOWN ON THIS DRAWING.

NO.	MATERIAL	FINISH, REMARKS	NO.	MATERIAL	FINISH, REMARKS		
CODE NO. (OLD) CL			DRAWN	DESIGNED	CHECKED	APPROVED	RELEASED
			<i>F. Matsuki</i>	<i>S. Sato</i>	<i>T. Miyazaki</i>	<i>T. Miyazaki</i>	
			03.3.5	03.3.7	03.03.25	03.03.25	
SCALE FREE	DRAWING NO. EDC3-160307-21		PART NO. DF14-*P-1.25H(56)				
UNITS mm	HRS HIROSE ELECTRIC CO., LTD		CODE NO. CL538-		2		

TO

(NO)