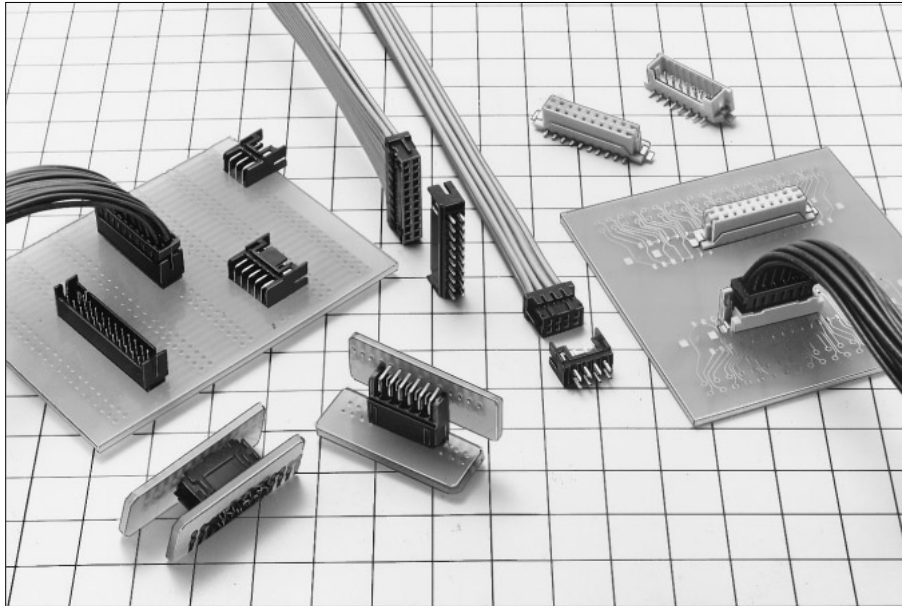


2mm Double-Row Connector (Product Compliant to UL/CSA Standard)

DF11 Series



■ Features

1. Space-saving on Board Realized

Double rows of 2mm pitch contact has been condensed within the 5mm width.
The multiple number of signals can be secured in the same space as the conventional 2mm single-row contact.

2. Broad Variation

The insulation displacement and crimping methods are prepared for connection. Thus, board to cable, in-line, board to board connectors are provided in order to widen a board design variation.
In addition, "Gold" or "Tin" can be selected for the plating according application, while the SMT products line up.

3. Applicable Wire Covers Wide Range

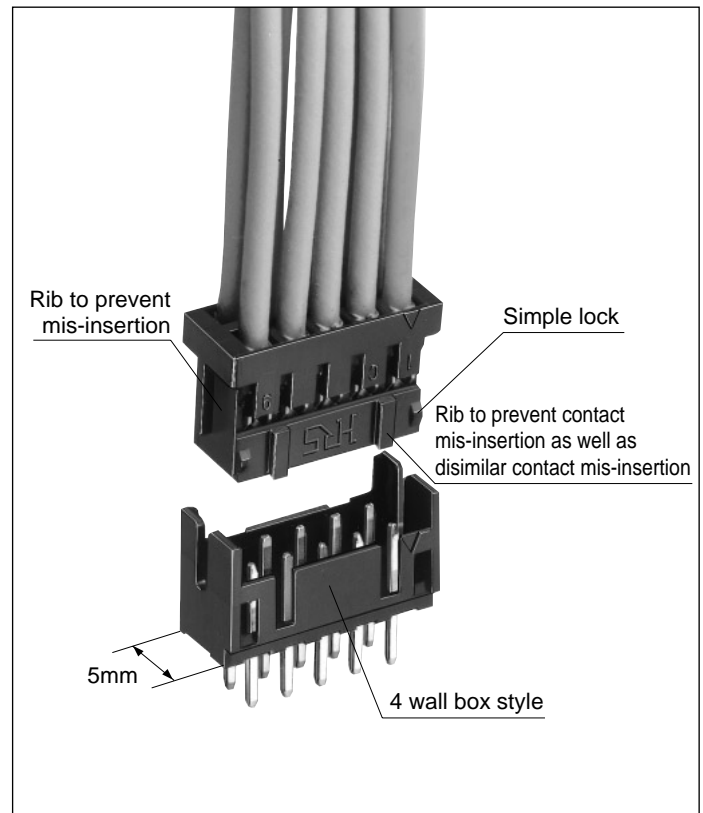
According to the double rows of 2mm pitch compact design, the applicable wire can cover AWG22 to 30.

4. The ID Type Connector Achieves Connection Work.

Using the full automatic insulation displacement machine, the complicated multi-harness can be easily connected, reducing the man-hour and eliminating the manual work process.

■ Applications

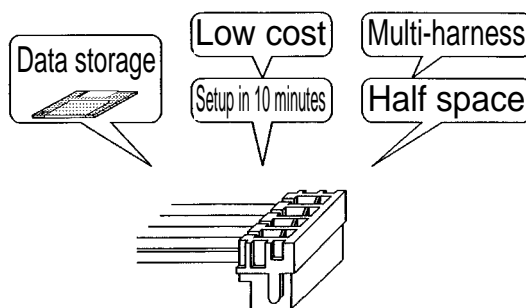
Business equipments such as copy machine, printer and so on.



■Features of DF11 Insulation Displacement Machine (Single Core Punching Full Automatic ID Machine AM700/DF11)

● 5 Major Features of ID Machine AM700/DF11

1. Perform the multi-harness.
2. The setup time has been widely reduced. (10 minutes maximum)
3. Space saving design.
 (About half space compared with the conventional machine)
4. Minimize initial cost with low cost.
5. The harness data can be saved in the floppy disk and easily changed.



■Points

Since the DF11 insulation displacement allows double rows ID with a single part, the harness service is completed with machine connection only.

■Product Specifications

Rating	Current rating (Note 1)	Crimping	Wire size	AWG 22 to 26: 2A	Operating Temperature Range	-30 to 85°C Note 2
		Insulation Displacement	Wire size	AWG 28 : 1A AWG 30 : 0.5A	Operating Humidity Range	40 to 80%
	Crimping		Wire size	AWG 26 : 1A	Storage Temperature Range	-10 to 60°C Note 3
	Voltage rating	Crimping	250V AC	Insulation Displacement	100V AC	Storage Humidity Range

UL-CSA Safety Standard Approved Specification			
Rating	Current rating	Wire size	AWG 22 : 2A
			AWG 24 to 28: 1A
			AWG 30 : 0.5A
Voltage rating	30V AC		

■UL-CSA Safety Standard File No.
 UL :E52653
 CSA :LR95109

Item	Specification	Condition	
1. Insulation Resistance	1000M ohms min.	500V DC	
2. Withstanding voltage	No flashover or insulation breakdown.	650V AC/1 minute	
3. Contact Resistance	30m ohms max.	100mA	
4. Single Insertion/Extraction Force	0.3N (30gf) min., 4.4N(450gf) min.	Measured by the square steel-made pin of 0.5±0.002mm	
5. Vibration	No electrical discontinuity of 1μs or more	Frequency: 10 to 55 Hz, single amplitude of 0.75 mm, 2 hours in each of the 3 directions.	
6. Humidity (Steady state)	Contact resistance: 30m ohms max. Insulation resistance: 500M ohms min.	96 hours at temperature of 40°C and humidity of 90% to 95%	
7. Temperature Cycle	Contact resistance: 30m ohms max. Insulation resistance: 1000M ohmsmin.	(-55°C: 30 minutes → 15 to 35°C: 2 to 3 minutes 85°C: 30 minutes → 15 to 35°C: 2 to 3minutes) 5 cycles	
8. Durability (Mating/un-mating)	Contact resistance: 30m ohms max.	Tin plated: 30 cycles Gold plated:50 cycles	
9. Resistance to Soldering heat	No deformation of components affecting performance.	Flow: 250°C for 10 seconds	Manual soldering: 300°C for 2 seconds
		Reflow: At the recommended temperature profile	Manual soldering: 300°C for 3 seconds

Note 1: Includes temperature rise caused by current flow.

Note 2: The term "storage" refers to products stored for long period of time prior to mounting and use. Operating Temperature Range and Humidity range covers non conducting condition of installed connectors in storage, shipment or during transportation.

Material

Product Type	Part	Material	Finish	Remarks
Crimping Socket	Insulator	Polyamide	Black	UL94V-0
Crimping Contact for Socket	Contact	Phosphor copper	Tin plated or gold plated	————
ID Socket	Insulator	Polyamide	Black	UL94V-0
	Contact	Phosphor copper	Tin plated	————
Receptacle	Insulator	Polyamide	Black	UL94V-0
	Contact	Phosphor copper	Tin plated or gold plated	————
Pin Header	Insulator	Polyamide	Black	UL94V-0
	Contact	Brass	Tin plated or gold plated	————
SMT Header	Insulator	Polyamide	Beige	UL94V-0
	Contact	Brass	Tin plated or gold plated	————
	Metal fittings	Brass	Tin plated	————
In-line Plug	Insulator	Polyamide	Black	UL94V-0
In-line Plug Crimping Contact	Contact	Phosphor copper	Tin plated or gold plated	————
In-line Adaptor	Insulator	Polyamide	Black	UL94V-0
	Contact	Brass	Tin plated	————

Note: HRS tin plating takes action against whisker.

Ordering Information

Connector

DF11 - * DS - 2C
 ① ② ③ ④ ⑤

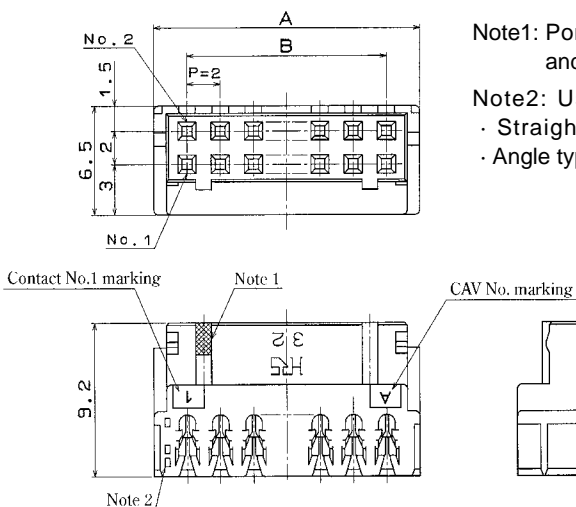
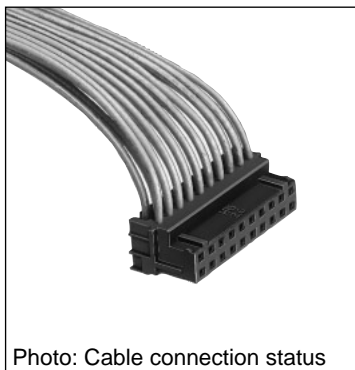
① Series Name : DF11	⑤ Connection Form/Contact Style
② Number of Contacts : 4 to 32	C : Crimping socket
③ Connector Type DS : Double Row socket DP : Double Row pin header DEP : Double Row in-line plug	R26 : Insulation Displacement socket for AWG26
	DSA: Straight through hole
	DS : Right angle through hole
④ Contact Pitch : 2mm	V : Straight SMT
	A : Adaptor

Contact

DF11 - EP2428PCFA
 ① ② ③ ④

① Contact Type Blank : For socket EP : For in-line plug	③ Contact Type/Packaging Type SCF : Socket contact, Embossed tape SC : Socket contact, Bag PCF : Plug contact, Embossed tape PC : Plug contact, Bag
② Applicable Wire Size 22 : AWG22 2428 : AWG24 to 28 30 : AWG30	④ Plating Type Blank : Tin plated A : Gold plated

■ID Socket



Note1: Port 1-piece indicates odd number row, and port 2- pcs. indicate even number row.

Note2: Use the dip type header as follows.
 · Straight angle type: DF11-*DP-2DSA(08)
 · Angle type: DF11-*DP-2DS(24)

[Specific No.] -* *, (* *)
 Blank :Tin plated, 100 pcs. per bag
 (21) :Tin plated, Tube packaging

Unit: mm

Part Number	CL No.	Number of Contacts	A	B	Tube Packaging Quantity
DF11- 4DS-2R26(**)	543-0652-0-**	4	6.0	2.0	188
DF11- 6DS-2R26(**)	543-0653-3-**	6	8.0	4.0	140
DF11- 8DS-2R26(**)	543-0654-6-**	8	10.0	6.0	112
DF11-10DS-2R26(**)	543-0655-9-**	10	12.0	8.0	94
DF11-12DS-2R26(**)	543-0656-1-**	12	14.0	10.0	80
DF11-14DS-2R26(**)	543-0657-4-**	14	16.0	12.0	70
DF11-16DS-2R26(**)	543-0658-7-**	16	18.0	14.0	62
DF11-18DS-2R26(**)	543-0659-0-**	18	20.0	16.0	56
DF11-20DS-2R26(**)	543-0660-9-**	20	22.0	18.0	50
DF11-22DS-2R26(**)	543-0661-1-**	22	24.0	20.0	46
DF11-24DS-2R26(**)	543-0662-4-**	24	26.0	22.0	42
DF11-26DS-2R26(**)	543-0663-7-**	26	28.0	24.0	40
DF11-28DS-2R26(**)	543-0664-0-**	28	30.0	26.0	36
DF11-30DS-2R26(**)	543-0665-2-**	30	32.0	28.0	34
DF11-32DS-2R26(**)	543-0666-5-**	32	34.0	30.0	32

Note1: The specific No. "None" item is delivered per bag unit (100 pcs.). Please order products per bag unit.

Note2: To use the full automatic insulation displacement machine to punch the DF11 single contact, the (20) tube packaging specification should be applied.

Note3: Please order the tube packaging products by multiplying the packaging quantity (pcs.).

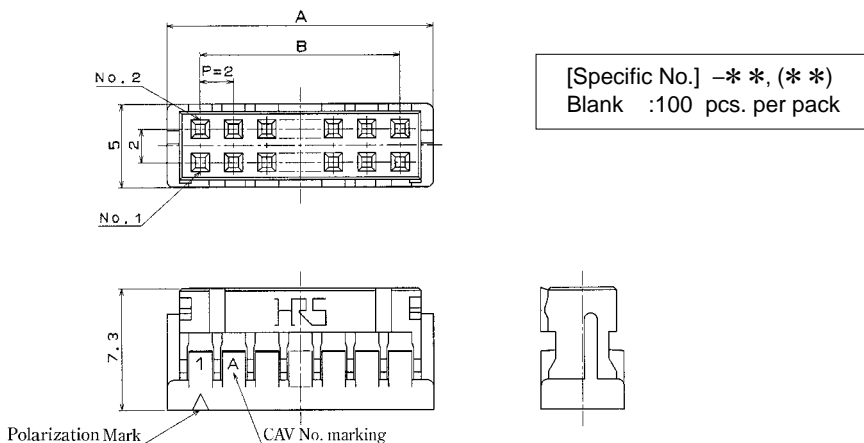
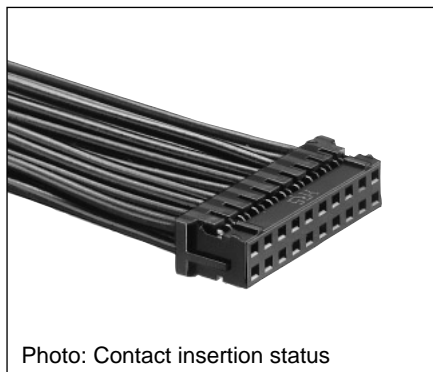
■Applicable Cable

Part Number	Applicable Cable	Jacket Diameter
DF11-*DS-2R26	UL1061 AWG26 (7/0.16)	φ0.9 to 1.05mm

■DF11-*DS-2R Insulation Displacement Machine

Type	Part Number	Connection Type	Remarks
Punching full automatic ID machine DF11 single contact	AM700/DF11	<ul style="list-style-type: none"> ■Effective harness form <ol style="list-style-type: none"> 1. DF11-both ended, one ended 2. DF11-DF11, separation 3. DF11-DF3, separation ■Effective harness length 100 to 2,000mm ■Continuity Inspection Mechanism Equipped 	The connector is applicable to (20) tube packaging.
Desktop ID Machine	SA700/DF11 CL903-0013-5	<ul style="list-style-type: none"> ■Used for DF11 only, No restricted condition 	Desktop machine for small lot

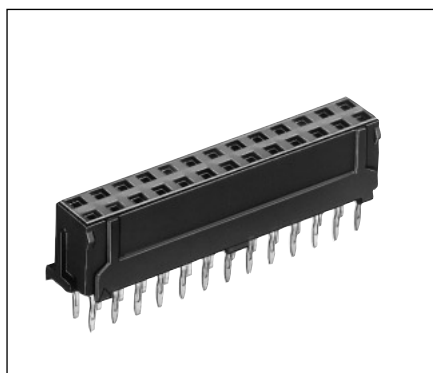
■Crimping Socket



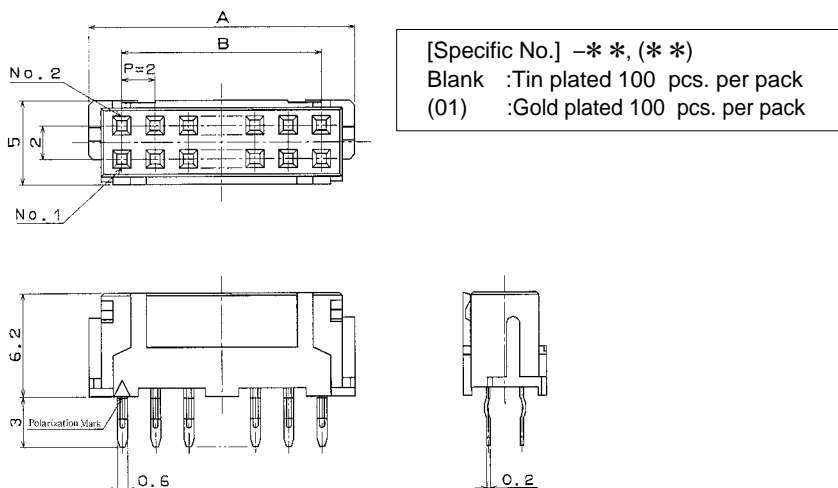
Part Number	CL No.	Number of Contacts	A	B	Part Number	CL No.	Number of Contacts	A	B
DF11- 4DS-2C(**)	543-0568-6-**	4	6.0	2.0	DF11-20DS-2C(**)	543-0509-7-**	20	22.0	18.0
DF11- 6DS-2C(**)	543-0502-8-**	6	8.0	4.0	DF11-22DS-2C(**)	543-0510-6-**	22	24.0	20.0
DF11- 8DS-2C(**)	543-0503-0-**	8	10.0	6.0	DF11-24DS-2C(**)	543-0511-9-**	24	26.0	22.0
DF11-10DS-2C(**)	543-0504-3-**	10	12.0	8.0	DF11-26DS-2C(**)	543-0512-1-**	26	28.0	24.0
DF11-12DS-2C(**)	543-0505-6-**	12	14.0	10.0	DF11-28DS-2C(**)	543-0513-4-**	28	30.0	26.0
DF11-14DS-2C(**)	543-0506-9-**	14	16.0	12.0	DF11-30DS-2C(**)	543-0514-7-**	30	32.0	28.0
DF11-16DS-2C(**)	543-0507-1-**	16	18.0	14.0	DF11-32DS-2C(**)	543-0515-0-**	32	34.0	30.0
DF11-18DS-2C(**)	543-0508-4-**	18	20.0	16.0					

Note: The specific No. "None" item is delivered per bag unit (100 pcs.). Please order products bag pack unit.

■Receptacle (DIP)



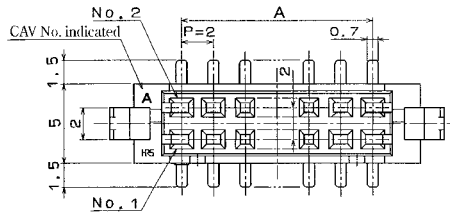
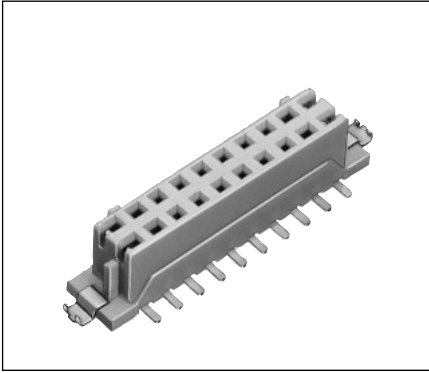
- Board Through-hole Diameter: $\phi 0.8^{+0.1}$
- Kink Prefixed Effective Diameter: $\phi 0.8^{+0.05}$



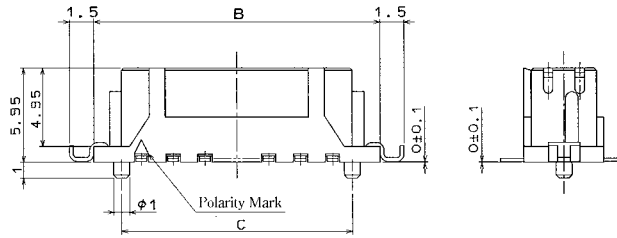
Part Number	CL No.	Number of Contacts	A	B	Part Number	CL No.	Number of Contacts	A	B
DF11- 6DS-2DSA(**)	543-0553-9-**	6	8.0	4.0	DF11-20DS-2DSA(**)	543-0560-4-**	20	22.0	18.0
DF11- 8DS-2DSA(**)	543-0554-1-**	8	10.0	6.0	DF11-22DS-2DSA(**)	543-0561-7-**	22	24.0	20.0
DF11-10DS-2DSA(**)	543-0555-4-**	10	12.0	8.0	DF11-24DS-2DSA(**)	543-0562-0-**	24	26.0	22.0
DF11-12DS-2DSA(**)	543-0556-7-**	12	14.0	10.0	DF11-26DS-2DSA(**)	543-0563-2-**	26	28.0	24.0
DF11-14DS-2DSA(**)	543-0557-0-**	14	16.0	12.0	DF11-28DS-2DSA(**)	543-0564-5-**	28	30.0	26.0
DF11-16DS-2DSA(**)	543-0558-2-**	16	18.0	14.0	DF11-30DS-2DSA(**)	543-0565-8-**	30	32.0	28.0
DF11-18DS-2DSA(**)	543-0559-5-**	18	20.0	16.0	DF11-32DS-2DSA(**)	543-0566-0-**	32	34.0	30.0

Note: The specific No. "None" item is delivered per bag unit (100 pcs.). Please order products per bag unit.

■Receptacle (SMT)



[Specific No.] -* *, (**)
 (20) : Tin plated tube package product
 (50) : Gold plated tube package product



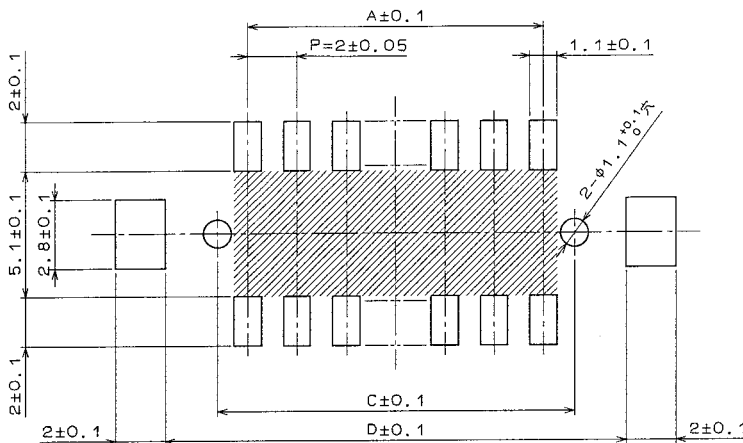
Unit: mm

Part Number	CL No.	Number of Contacts	A	B	C	D	Tube Package Quantity
DF11- 4DS-2V(**)	543-0569-9-**-	4	2.0	8.5	4.5	8.7	41pcs.
DF11- 6DS-2V(**)	543-0570-8-**-	6	4.0	10.5	6.5	10.7	35
DF11- 8DS-2V(**)	543-0571-0-**-	8	6.0	12.5	8.5	12.7	30
DF11-10DS-2V(**)	543-0572-3-**-	10	8.0	14.5	10.5	14.7	27
DF11-12DS-2V(**)	543-0573-6-**-	12	10.0	16.5	12.5	16.7	24
DF11-14DS-2V(**)	543-0574-9-**-	14	12.0	18.5	14.5	18.7	22
DF11-16DS-2V(**)	543-0575-1-**-	16	14.0	20.5	16.5	20.7	20
DF11-18DS-2V(**)	543-0576-4-**-	18	16.0	22.5	18.5	22.7	18
DF11-20DS-2V(**)	543-0577-7-**-	20	18.0	24.5	20.5	24.7	17
DF11-22DS-2V(**)	543-0578-0-**-	22	20.0	26.5	22.5	26.7	16
DF11-24DS-2V(**)	543-0579-2-**-	24	22.0	28.5	24.5	28.7	15
DF11-26DS-2V(**)	543-0580-1-**-	26	24.0	30.5	26.5	30.7	14
DF11-28DS-2V(**)	543-0581-4-**-	28	26.0	32.5	28.5	32.7	13
DF11-30DS-2V(**)	543-0582-7-**-	30	28.0	34.5	30.5	34.7	12
DF11-32DS-2V(**)	543-0583-0-**-	32	30.0	36.5	32.5	36.7	12
DF11-40DS-2V(**)	543-0584-2-**-	40	38.0	44.5	40.5	44.7	10

Note1: Please order the tube packaging products, multiplying a tube quantity (pcs.).

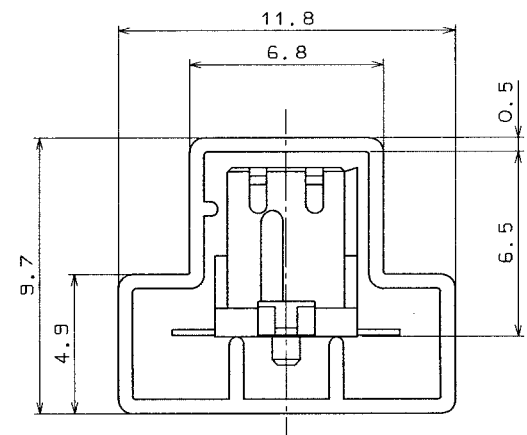
Note2: The 40 contacts connector is marchandized only in combination with the SMT product.

◆PCB mounting pattern

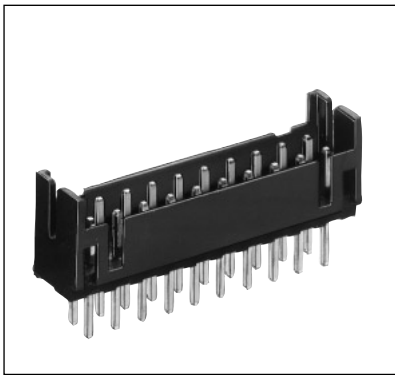


Note: If the pattern is included in the shaded area and not treated with resist, it could touch the connector contact.

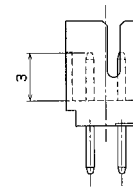
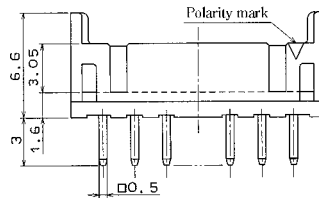
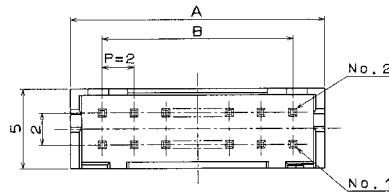
◆Tube Size



■Straight Pin Header



●Board Through-hole Diameter: $\phi 0.8^{+0.1}_0$



[Specific No.] -* *, (* *)
 Blank : Tin plated
 (01) : Gold plated
 (08) : Tin plated low insertion product
 (Tin plating recommended specification)
 (20) : Tin plated tube package product

Unit: mm

Part Number	CL No.	Number of Contacts	A	B	Tube Package Quantity	Part Number	CL No.	Number of Contacts	A	B	Tube Package Quantity
DF11- 4DP-2DSA(**)	543-0517-5-**-	4	6.0	2.0	81pcs.	DF11-20DP-2DSA(**)	543-0525-3-**-	20	22.0	18.0	22pcs.
DF11- 6DP-2DSA(**)	543-0518-8-**-	6	8.0	4.0	61	DF11-22DP-2DSA(**)	543-0526-6-**-	22	24.0	20.0	20
DF11- 8DP-2DSA(**)	543-0519-0-**-	8	10.0	6.0	49	DF11-24DP-2DSA(**)	543-0527-9-**-	24	26.0	22.0	18
DF11-10DP-2DSA(**)	543-0520-0-**-	10	12.0	8.0	40	DF11-26DP-2DSA(**)	543-0528-1-**-	26	28.0	24.0	17
DF11-12DP-2DSA(**)	543-0521-2-**-	12	14.0	10.0	34	DF11-28DP-2DSA(**)	543-0529-4-**-	28	30.0	26.0	16
DF11-14DP-2DSA(**)	543-0522-5-**-	14	16.0	12.0	30	DF11-30DP-2DSA(**)	543-0530-3-**-	30	32.0	28.0	15
DF11-16DP-2DSA(**)	543-0523-8-**-	16	18.0	14.0	27	DF11-32DP-2DSA(**)	543-0531-6-**-	32	34.0	30.0	14
DF11-18DP-2DSA(**)	543-0524-0-**-	18	20.0	16.0	24						

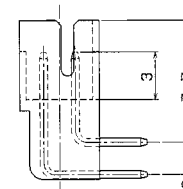
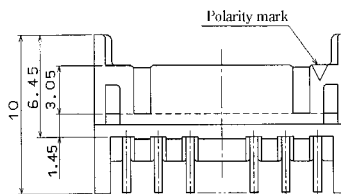
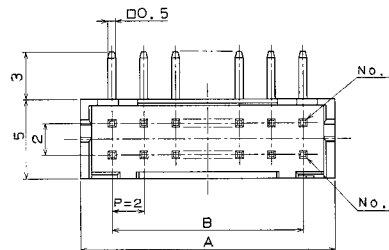
Note1: Specific No. "None", (01) and (08) items are delivered per bag unit (100 pcs.). Please order products per bagunit.

Note2: Please order the tube packaging products, by mutiplying a tube quantity(pcs.).

■Right Angle Pin Header



●Board Through-hole Diameter: $\phi 0.8^{+0.1}_0$



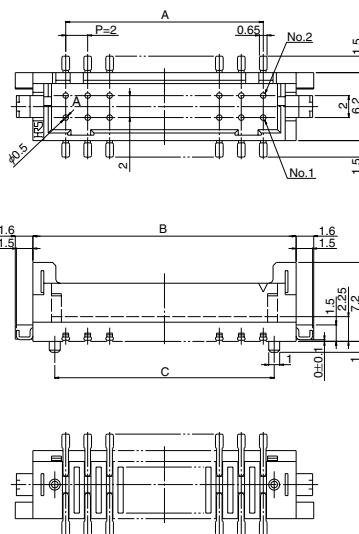
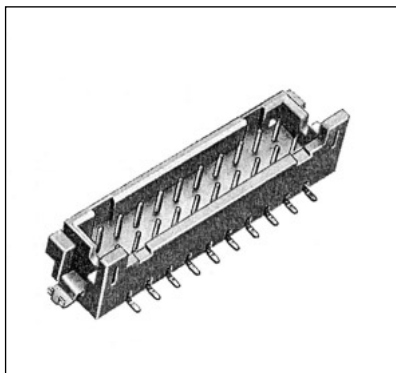
[Specific No.] -* *, (* *)
 Blank : Tin plated
 (22) : Tin plated, magazine packaging
 (52) : Gold plated tube packaging product
 (24) : Tin plated low insertion product
 (Tin plating recommended specification)

Unit: mm

Part Number	CL No.	Number of Contacts	A	B	Tube Package Quantity	Part Number	CL No.	Number of Contacts	A	B	Tube Package Quantity
DF11- 4DP-2DS(**)	543-0533-1-**-	4	6.0	2.0	81pcs.	DF11-20DP-2DS(**)	543-0541-0-**-	20	22.0	18.0	22pcs.
DF11- 6DP-2DS(**)	543-0534-4-**-	6	8.0	4.0	61	DF11-22DP-2DS(**)	543-0542-2-**-	22	24.0	20.0	20
DF11- 8DP-2DS(**)	543-0535-7-**-	8	10.0	6.0	48	DF11-24DP-2DS(**)	543-0543-5-**-	24	26.0	22.0	18
DF11-10DP-2DS(**)	543-0536-0-**-	10	12.0	8.0	40	DF11-26DP-2DS(**)	543-0544-8-**-	26	28.0	24.0	17
DF11-12DP-2DS(**)	543-0537-2-**-	12	14.0	10.0	34	DF11-28DP-2DS(**)	543-0545-0-**-	28	30.0	26.0	16
DF11-14DP-2DS(**)	543-0538-5-**-	14	16.0	12.0	30	DF11-30DP-2DS(**)	543-0546-3-**-	30	32.0	28.0	15
DF11-16DP-2DS(**)	543-0539-8-**-	16	18.0	14.0	27	DF11-32DP-2DS(**)	543-0547-6-**-	32	34.0	30.0	14
DF11-18DP-2DS(**)	543-0540-7-**-	18	20.0	16.0	24						

Note1: Please order the tube packaging product by mutiplying a tube quantity(pcs.).

■Straight Pin Header (SMT)



[Specific No.] - * *, (* *)
 (20) : Tin plated tube package product
 (50) : Gold plated tube package product

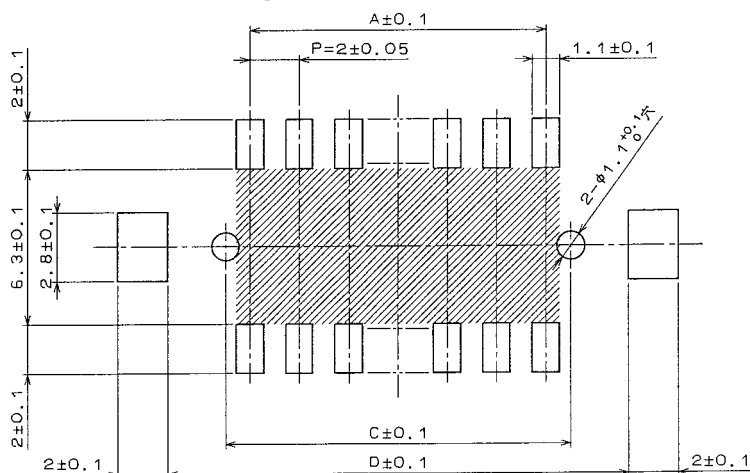
Unit: mm

Part Number	CL No.	Number of Contacts	A	B	C	D	Tube Package Quantity
DF11G- 4DP-2V(**)	543-0810-0-**	4	2.0	8.5	4.0	8.7	41pcs.
DF11G- 6DP-2V(**)	543-0811-2-**	6	4.0	10.5	6.0	10.7	35
DF11G- 8DP-2V(**)	543-0812-5-**	8	6.0	12.5	8.0	12.7	30
DF11G-10DP-2V(**)	543-0813-8-**	10	8.0	14.5	10.0	14.7	27
DF11G-12DP-2V(**)	543-0814-0-**	12	10.0	16.5	12.0	16.7	24
DF11G-14DP-2V(**)	543-0815-3-**	14	12.0	18.5	14.0	18.7	22
DF11G-16DP-2V(**)	543-0816-6-**	16	14.0	20.5	16.0	20.7	20
DF11G-18DP-2V(**)	543-0817-9-**	18	16.0	22.5	18.0	22.7	18
DF11G-20DP-2V(**)	543-0818-1-**	20	18.0	24.5	20.0	24.7	17
DF11G-22DP-2V(**)	543-0819-4-**	22	20.0	26.5	22.0	26.7	16
DF11G-24DP-2V(**)	543-0820-3-**	24	22.0	28.5	24.0	28.7	15
DF11G-26DP-2V(**)	543-0821-6-**	26	24.0	30.5	26.0	30.7	14
DF11G-28DP-2V(**)	543-0822-9-**	28	26.0	32.5	28.0	32.7	13
DF11G-30DP-2V(**)	543-0823-1-**	30	28.0	34.5	30.0	34.7	12
DF11G-32DP-2V(**)	543-0824-4-**	32	30.0	36.5	32.0	36.7	12
DF11G-40DP-2V(**)	543-0825-7-**	40	38.0	44.5	40.0	44.7	10

Note1: Please order the tube packaging product by multiplying a tube quantity(pcs.).

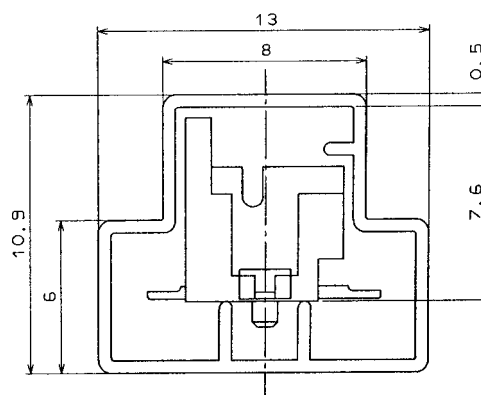
Note2: The 40 contacts connector is merchandized in combination with the SMT product.

◆PCB mounting pattern

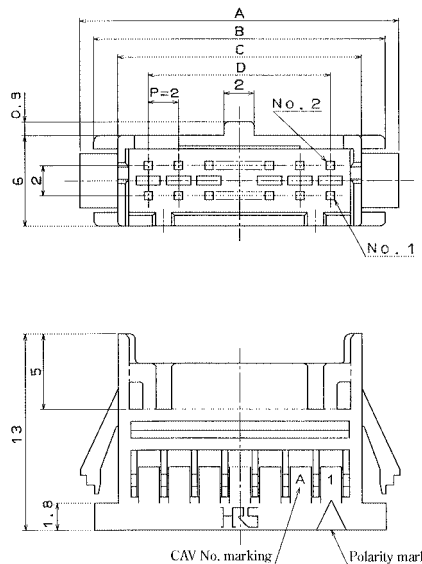
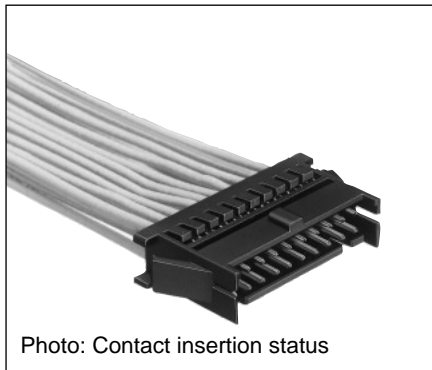


Note: If the pattern is included in the shaded area and not treated with resist, it could contact to the connector contact.

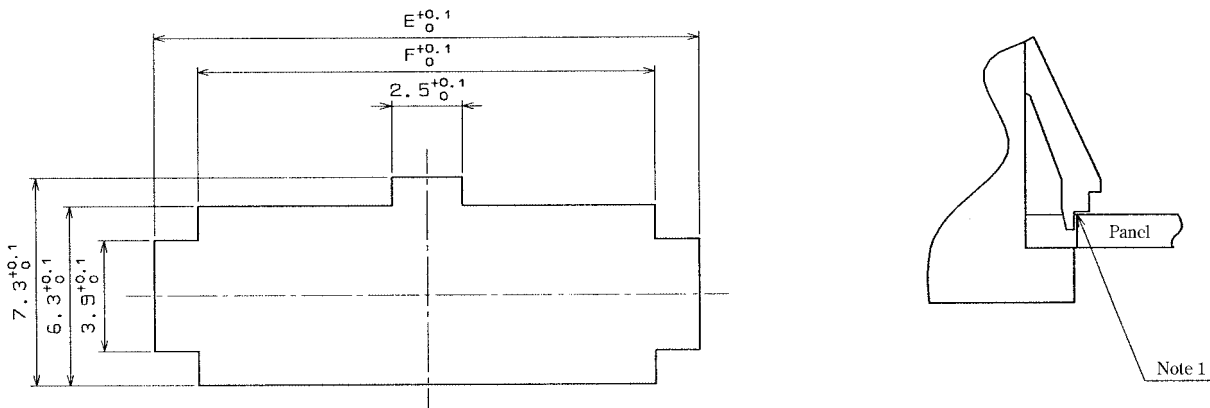
◆Tube Size



■ In-line Plug



◆ In-line Plug Panel Cutouts



Note1: Please use the non-radius side for the panel hooking area.

Note2: Applicable panel thicknessing is 1.6 to 1.0mm (A slight deviation will occur for the thickness except for 1.6 and 1.2mm.)

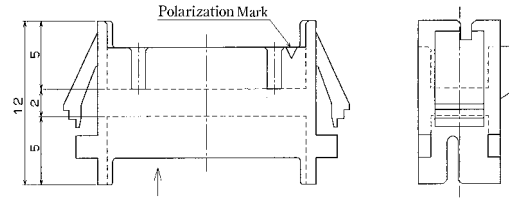
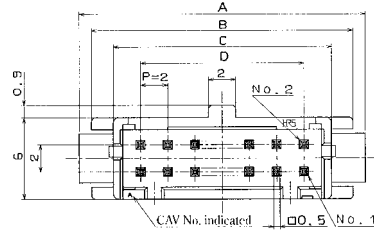
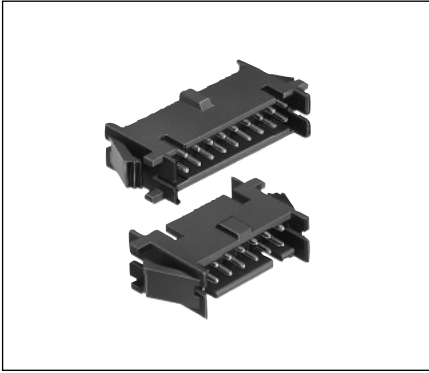
Unit: mm

Part Number	CL No.	Number of Contacts	A	B	C	D	E	F
DF11- 4DEP-2C(**)	543-0619-5-**-	4	11.0	9.2	6.0	2.0	9.4	6.3
DF11- 6DEP-2C(**)	543-0620-4-**-	6	13.0	11.2	8.0	4.0	11.4	8.3
DF11- 8DEP-2C(**)	543-0621-7-**-	8	15.0	13.2	10.0	6.0	13.4	10.3
DF11-10DEP-2C(**)	543-0622-0-**-	10	17.0	15.2	12.0	8.0	15.4	12.3
DF11-12DEP-2C(**)	543-0623-2-**-	12	19.0	17.2	14.0	10.0	17.4	14.3
DF11-14DEP-2C(**)	543-0624-5-**-	14	21.0	19.2	16.0	12.0	19.4	16.3
DF11-16DEP-2C(**)	543-0625-8-**-	16	23.0	21.2	18.0	14.0	21.4	18.3
DF11-18DEP-2C(**)	543-0626-0-**-	18	25.0	23.2	20.0	16.0	23.4	20.3
DF11-20DEP-2C(**)	543-0627-3-**-	20	27.0	25.2	22.0	18.0	25.4	22.3
DF11-22DEP-2C(**)	543-0628-6-**-	22	29.0	27.2	24.0	20.0	27.4	24.3
DF11-24DEP-2C(**)	543-0629-9-**-	24	31.0	29.2	26.0	22.0	29.4	26.3
DF11-26DEP-2C(**)	543-0630-8-**-	26	33.0	31.2	28.0	24.0	31.4	28.3
DF11-28DEP-2C(**)	543-0631-0-**-	28	35.0	33.2	30.0	26.0	33.4	30.3
DF11-30DEP-2C(**)	543-0632-3-**-	30	37.0	35.2	32.0	28.0	35.4	32.3
DF11-32DEP-2C(**)	543-0633-6-**-	32	39.0	37.2	34.0	30.0	37.4	34.3

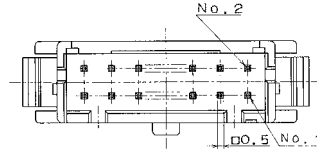
[Specific No.] -** , (**)
 Blank :100 pcs. per pack

Note1: The specific No. "Blank" item is delivered per bag unit (100 pcs.). Please order products per bag unit.

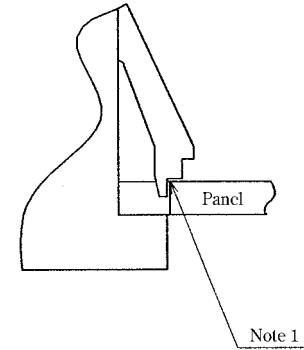
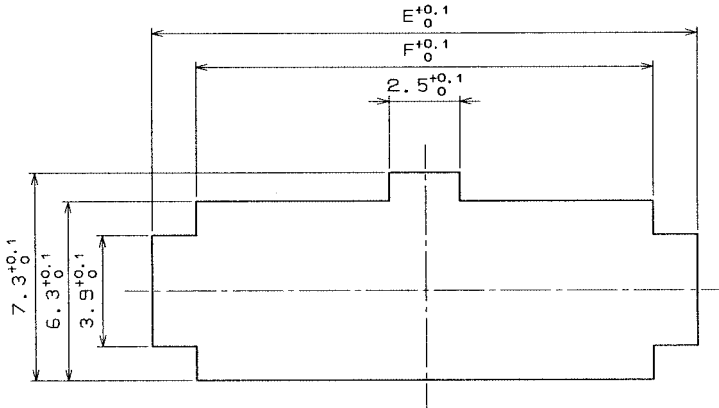
■ In-line Adaptor



Note: On this side, higher insertion or extraction force is set.



◆ In-line Adaptor Panel Cutouts



Note1: Please use the non-radius surface in the panel hooking area.

Note2: Applicable panel thickness is 1.6 to 1.0mm (A slight backlash will occur in the thickness other than 1.6 and 1.2mm.)

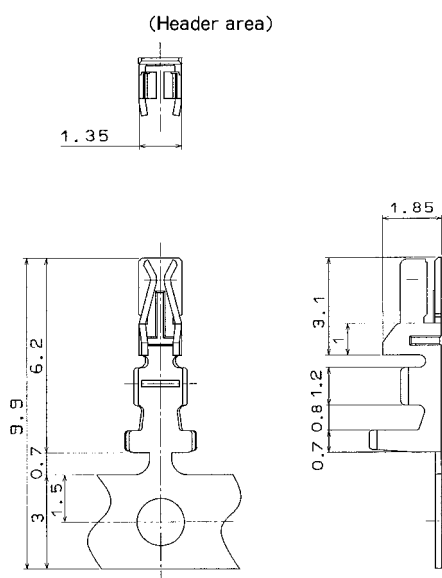
Unit: mm

Part Number	CL No.	Number of Contacts	A	B	C	D	E	F
DF11- 4DEP-2A(**)	543-0698-1-**-	4	11.0	9.2	6.0	2.0	9.4	6.3
DF11- 6DEP-2A(**)	543-0699-4-**-	6	13.0	11.2	8.0	4.0	11.4	8.3
DF11- 8DEP-2A(**)	543-0700-1-**-	8	15.0	13.2	10.0	6.0	13.4	10.3
DF11-10DEP-2A(**)	543-0701-4-**-	10	17.0	15.2	12.0	8.0	15.4	12.3
DF11-12DEP-2A(**)	543-0702-7-**-	12	19.0	17.2	14.0	10.0	17.4	14.3
DF11-14DEP-2A(**)	543-0703-0-**-	14	21.0	19.2	16.0	12.0	19.4	16.3
DF11-16DEP-2A(**)	543-0704-2-**-	16	23.0	21.2	18.0	14.0	21.4	18.3
DF11-18DEP-2A(**)	543-0705-5-**-	18	25.0	23.2	20.0	16.0	23.4	20.3
DF11-20DEP-2A(**)	543-0706-8-**-	20	27.0	25.2	22.0	18.0	25.4	22.3
DF11-22DEP-2A(**)	543-0707-0-**-	22	29.0	27.2	24.0	20.0	27.4	24.3
DF11-24DEP-2A(**)	543-0708-3-**-	24	31.0	29.2	26.0	22.0	29.4	26.3
DF11-26DEP-2A(**)	543-0709-6-**-	26	33.0	31.2	28.0	24.0	31.4	28.3
DF11-28DEP-2A(**)	543-0710-5-**-	28	35.0	33.2	30.0	26.0	33.4	30.3
DF11-30DEP-2A(**)	543-0711-8-**-	30	37.0	35.2	32.0	28.0	35.4	32.3
DF11-32DEP-2A(**)	543-0712-0-**-	32	39.0	37.2	34.0	30.0	37.4	34.3

[Specific No.] -** , (**)
 Blank :100 pcs. per pack

Note1: The specific No. "Blank" item is delivered per bag unit (100 pcs.). Please order products per bag unit.

■Crimping Contact for Socket



Part Number	CL No.	Type	Quantity	Finish
DF11-22SCF	543-0601-0	Reel contact	10000 pcs. per reel	Tin plated
DF11-22SC	543-0602-2	Bulk contact	100 pcs. per bag	
DF11-2428SCF	543-0500-2	Reel contact	10000 pcs. per reel	
DF11-2428SC	543-0501-5	Bulk contact	100 pcs. per bag	
DF11A-2428SCF	543-0634-9	Reel contact	10000 pcs. per reel	
DF11A-2428SC	543-0635-1	Bulk contact	100 pcs. per bag	
DF11-30SCF	543-0605-0	Reel contact	10000 pcs. per reel	Gold plated
DF11-30SC	543-0606-3	Bulk contact	100 pcs. per bag	
DF11-22SCFA	543-0603-5	Reel contact	10000 pcs. per reel	
DF11-22SCA	543-0604-8	Bulk contact	100 pcs. per bag	
DF11-2428SCFA	543-0550-0	Reel contact	10000 pcs. per reel	
DF11-2428SCA	543-0551-3	Bulk contact	100 pcs. per bag	
DF11-30SCFA	543-0607-6	Reel contact	10000 pcs. per reel	Gold plated
DF11-30SCA	543-0608-9	Bulk contact	100 pcs. per bag	

Note1: DF11A-2428SCF/SC is of tin plated low insertion/extraction type.

●Applicable Wire (Tin Plated Annealed Copper Wire)

Conductor Size (Wire Structure)	Jacket Diameter
AWG 22 (17pcs./0.16mm)	ϕ 1.2 to ϕ 1.45mm
AWG 24 (11pcs./0.16mm)	ϕ 0.9 to ϕ 1.45mm
AWG 26 (7pcs./0.16mm)	
AWG 28 (7pcs./0.127mm)	
AWG 30 (7pcs./0.1mm)	ϕ 0.75 to ϕ 1.2mm

Note1: If other wires are used than the applicable wire, consult the HRS sales department.

Note2: DF11-22SCF/SC/SCFA/SCA is for UL1061.

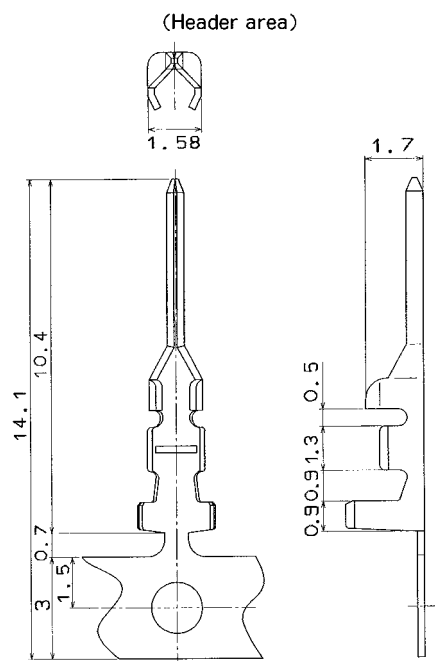
●Recommended Wire

UL1061, UL1007 (Note 2.)

●Strip Length

1.7 to 2.3mm

■Crimping Contact for In-line Plug



Part Number	CL No.	Type	Quantity	Finish
DF11EP2428PCF	543-0615-4	Reel contact	10000 pcs. per reel	Tin plated
DF11EP2428PC	543-0616-7	Bulk contact	100 pcs. per bag	
DF11EP2428PCFA	543-0617-0	Reel contact	10000 pcs. per reel	Gold plated
DF11-EP2428PCA	543-0618-2	Bulk contact	100 pcs. per bag	

●Applicable Wire (Tin Plated Annealed Copper Wire)

Conductor Size (Contact Wire Structure)	Jacket Diameter
AWG 24 (11pcs./0.16mm)	ϕ 0.9 to ϕ 1.45mm
AWG 26 (7pcs./0.16mm)	
AWG 28 (7pcs./0.127mm)	

Note1: If other wires are used than the applicable wire, consult the HRS sales department.

●Recommended Wire

UL1061, UL1007

●Strip Length

1.9 to 2.3mm

◆Applicable Crimping Tool

Type	Part Number	CL No.	Applicable Contact
Applicator	AP105-DF11-22S	901-4529-7	DF11 -22SCF/SCFA
	AP105-DF11-2428S	901-4511-1	DF11 -2428SCF/SCFA DF11A-2428SCF
	AP105-DF11-30S	901-4532-1	DF11 -30SCF/SCFA
	AP105-DF11-EP2428P	901-4528-4	DF11 -EP2428PCF/PCFA
Press Unit	CM-105	901-0005-4	_____
Hand Crimping Tool	DF11-TA22HC	550-0228-6	DF11 -22SC/SCA
	DF11-TA2428HC	550-0197-4	DF11 -2428SC/SCA DF11A-2428SC
	DF11-TA30HC	550-0230-8	DF11 -30SC/SCA
	DF11EP-TA2428HC	550-0227-3	DF11 -EP2428PC/PCA
Extraction Tool	DF-C-PO(B)	550-0179-2	DF11 -****SCF
			DF11 -EP****PCF

Note: If any trouble has occurred due to tools other than the designated tool, Hirose bears no responsibility for any trouble.

1.All information, such as connector specifications, dimensions, etc, on the web site are reference only. Connector information can be changed without notice.

Please request the latest specification and DWG from HRS before you design in our products.

Please confirm the RoHS status using the RoHS Compliant Part Number Search on this web site.

2.Please check the availability of Non-RoHS compliant products before ordering. Non-RoHS compliant products may be discontinued.

DF11 Series Product List

[Help](#)

473KB
Data: 598

Request	Series Description	HRS No	Product No▼	No. of Positions	Connector Type	Contact Gender	Contact Spacing (mm)	Terminal Pitch (mm)	Stack Height (mm)	Termination Style	PCB Mount Type	Current Rating (Amps) (Max.)	Contact Mating Area Plating	Operating Temperature Range (degrees C)	Selling Unit	General Description
<input type="button" value="GO"/>	DF11	543-0701-4 00	DF11-10DEP-2A	10	Panel	Male	2	2				2	Tin	-30 to 85	1pack (100pcs.)	In-line adapter; Both ends male contacts; Pin contact
<input type="button" value="GO"/>	DF11	543-0622-0 00	DF11-10DEP-2C	10	Panel	Male	2	2				2		-30 to 85	1pack (100pcs.)	In-line plug; Male contact; Pin contact termination
<input type="button" value="GO"/>	DF11	543-0536-0 24	DF11-10DP-2DS(24)	10	Board mounting	Male	2	2			Through-hole	2	Tin	-30 to 85	40pcs. (1magazine)	Header; Right angle; Low insertion/extraction force; Specified packaging
<input type="button" value="GO"/>	DF11	543-0536-0 52	DF11-10DP-2DS(52)	10	Board mounting	Male	2	2			Through-hole	2	Gold	-30 to 85	40pcs. (1magazine)	Header; Right angle; Insulation housing:Black; Specified packaging; Changed Finish
<input type="button" value="GO"/>	DF11	543-0536-0 90	DF11-10DP-2DS(90)	10	Board mounting	Male	2	2			Through-hole	2	Tin	-30 to 85	40pcs. (1magazine)	Header; Right angle; Insulation housing:White; Specified packaging
<input type="button" value="GO"/>	DF11	543-0536-0 96	DF11-10DP-2DS(96)	10	Board mounting	Male	2	2			Through-hole	2	Tin	-30 to 85	40pcs. (1magazine)	Header; Right angle; Insulation housing:Blue; Specified packaging
<input type="button" value="GO"/>	DF11	543-0536-0 97	DF11-10DP-2DS(97)	10	Board mounting	Male	2	2			Through-hole	2	Tin	-30 to 85	40pcs. (1magazine)	Header; Right angle; Insulation housing:Gray; Specified packaging; Changed Finish
<input type="button" value="GO"/>	DF11	543-0536-0 98	DF11-10DP-2DS(98)	10	Board mounting	Male	2	2			Through-hole	2	Tin	-30 to 85	40pcs. (1magazine)	Header; Right angle; Insulation housing:Red; Specified packaging
<input type="button" value="GO"/>	DF11	543-0520-0 01	DF11-10DP-2DSA(01)	10	Board mounting	Male	2	2	7.55,7.80		Through-hole	2	Gold	-30 to 85	1pack (100pcs.)	Header; Straight; Specified packaging; Changed Finish
<input type="button" value="GO"/>	DF11	543-0520-0 08	DF11-10DP-2DSA(08)	10	Board mounting	Male	2	2	7.55,7.80		Through-hole	2	Tin	-30 to 85	1pack (100pcs.)	Header; Straight; Low insertion/extraction force; Changed Finish
<input type="button" value="GO"/>	DF11	543-0520-0 24	DF11-10DP-2DSA(24)	10	Board mounting	Male	2	2	7.55,7.80		Through-hole	2	Tin	-30 to 85	40pcs. (1magazine)	Header; Straight; Low insertion/extraction force; Specified packaging; Changed Finish
<input type="button" value="GO"/>	DF11	543-0520-0 80	DF11-10DP-2DSA(80)	10	Board mounting	Male	2	2	7.55,7.80		Through-hole	2	Tin	-30 to 85	1pack (100pcs.)	Header; Straight; Low insertion/extraction force contact; Insulation housing:White; Specified packaging; Changed Finish

GO	DF11	543-0520-0 87	DF11-10DP-2DSA(87)	10	Board mounting	Male	2	2	7.55,7.80		Through-hole	2	Tin	-30 to 85	1pack (100pcs.)	Header; Straight; Insulation housing:Gray; Low insertion/extraction force contact
GO	DF11	543-0588-3 57	DF11-10DP-2V(57)	10	Board mounting	Male	2	2	8.20,8.45		SMT	2	Gold	-30 to 85	1reel (500pcs.)	Header; Straight; Locating boss; Suction cap for automatic PCB mounting; Specified packaging; Changed Finish
GO	DF11	543-0504-3 00	DF11-10DS-2C	10	Wire	Female	2	2				2		-30 to 85	1pack (100pcs.)	Housing; For Discrete wire; Crimping
GO	DF11	543-0504-3 10	DF11-10DS-2C(10)	10	Wire	Female	2	2				2		-30 to 85	1pack (100pcs.)	Housing; For Discrete wire; Crimping; Insulation housing:White
GO	DF11	543-0504-3 16	DF11-10DS-2C(16)	10	Wire	Female	2	2				2		-30 to 85	1pack (100pcs.)	Housing; For Discrete wire; Crimping; Insulation housing:Blue
GO	DF11	543-0504-3 17	DF11-10DS-2C(17)	10	Wire	Female	2	2				2		-30 to 85	1pack (100pcs.)	Housing; For Discrete wire; Crimping; Insulation housing:Gray
GO	DF11	543-0504-3 18	DF11-10DS-2C(18)	10	Wire	Female	2	2				2		-30 to 85	1pack (100pcs.)	Housing; For Discrete wire; Crimping; Insulation housing:Red
GO	DF11	543-0504-3 20	DF11-10DS-2C(20)	10	Wire	Female	2	2				2		-30 to 85	1pack (100pcs.)	Housing; For Discrete wire; Crimping; Reinforced lock
GO	DF11	543-0555-4 05	DF11-10DS-2DSA(05)	10	Board mounting	Female	2	2	7.80,8.45		Through-hole	2	Tin	-30 to 85	1pack (100pcs.)	Socket; Straight
GO	DF11	543-0555-4 06	DF11-10DS-2DSA(06)	10	Board mounting	Female	2	2	7.80,8.45		Through-hole	2	Gold	-30 to 85	1pack (100pcs.)	Socket; Straight; Changed Finish
GO	DF11	543-0655-9 05	DF11-10DS-2R26(05)	10	Wire	Female	2	2		IDC		1	Tin	-30 to 85	1pack (100pcs.)	Housing; For AWG#26 discrete wire
GO	DF11	543-0655-9 25	DF11-10DS-2R26(25)	10	Wire	Female	2	2		IDC		1	Tin	-30 to 85	94pcs. (1magazine)	Housing; For AWG#26 discrete wire; Specified packaging
GO	DF11	543-0655-9 91	DF11-10DS-2R26(91)	10	Wire	Female	2	2		IDC		1	Tin	-30 to 85	1pack (100pcs.)	Housing; For AWG#26 discrete wire
GO	DF11	543-0702-7 00	DF11-12DEP-2A	12	Panel	Male	2	2				2	Tin	-30 to 85	1pack (100pcs.)	In-line adapter; Both ends male contacts; Pin contact
GO	DF11	543-0623-2 00	DF11-12DEP-2C	12	Panel	Male	2	2				2		-30 to 85	1pack (100pcs.)	In-line plug; Male contact; Pin contact termination
GO	DF11	543-0537-2 24	DF11-12DP-2DS(24)	12	Board mounting	Male	2	2			Through-hole	2	Tin	-30 to 85	34pcs. (1magazine)	Header; Right angle; Low insertion/extraction force; Specified packaging
GO	DF11	543-0537-2 52	DF11-12DP-2DS(52)	12	Board mounting	Male	2	2			Through-hole	2	Gold	-30 to 85	34pcs. (1magazine)	Header; Right angle; Insulation housing:Black; Specified packaging; Changed Finish
GO	DF11	543-0521-2 01	DF11-12DP-2DSA(01)	12	Board mounting	Male	2	2	7.55,7.80		Through-hole	2	Gold	-30 to 85	1pack (100pcs.)	Header; Straight; Changed Finish
GO	DF11	543-0521-2 08	DF11-12DP-2DSA(08)	12	Board mounting	Male	2	2	7.55,7.80		Through-hole	2	Tin	-30 to 85	1pack (100pcs.)	Header; Straight; Low insertion/extraction force; Changed Finish
GO	DF11	543-0521-2 24	DF11-12DP-2DSA(24)	12	Board mounting	Male	2	2	7.55,7.80		Through-hole	2	Tin	-30 to 85	34pcs. (1magazine)	Header; Straight; Low insertion/extraction force; Specified packaging; Changed Finish
GO	DF11	543-0521-2 37	DF11-12DP-2DSA(37)	12	Board mounting	Male	2	2	7.55,7.80		Through-hole	2	Gold	-30 to 85	1pack (100pcs.)	Header; Straight; Insulation housing:Gray; Changed Finish

GO	DF11	543-0521-2 83	DF11-12DP-2DSA(83)	12	Board mounting	Male	2	2	7.55,7.80		Through-hole	2	Tin	-30 to 85	1pcs.	Header; Straight; Specified packaging
GO	DF11	543-0521-2 87	DF11-12DP-2DSA(87)	12	Board mounting	Male	2	2	7.55,7.80		Through-hole	2	Tin	-30 to 85	1pack (100pcs.)	Header; Straight; Insulation housing:Gray
GO	DF11	543-0589-6 57	DF11-12DP-2V(57)	12	Board mounting	Male	2	2	8.20,8.45		SMT	2	Gold	-30 to 85	1reel (500pcs.)	Header; Straight; Locating boss; Suction cap for automatic PCB mounting; Specified packaging; Changed Finish
GO	DF11	543-0505-6 00	DF11-12DS-2C	12	Wire	Female	2	2				2		-30 to 85	1pack (100pcs.)	Housing; For Discrete wire; Crimping
GO	DF11	543-0505-6 10	DF11-12DS-2C(10)	12	Wire	Female	2	2				2		-30 to 85	1pack (100pcs.)	Housing; For Discrete wire; Crimping; Insulation housing:White
GO	DF11	543-0505-6 17	DF11-12DS-2C(17)	12	Wire	Female	2	2				2		-30 to 85	1pack (100pcs.)	Housing; For Discrete wire; Crimping; Insulation housing:Gray
GO	DF11	543-0505-6 20	DF11-12DS-2C(20)	12	Wire	Female	2	2				2		-30 to 85	1pack (100pcs.)	Housing; For Discrete wire; Crimping; Reinforced lock
GO	DF11	543-0556-7 05	DF11-12DS-2DSA(05)	12	Board mounting	Female	2	2	7.80,8.45		Through-hole	2	Tin	-30 to 85	1pack (100pcs.)	Socket; Straight
GO	DF11	543-0556-7 06	DF11-12DS-2DSA(06)	12	Board mounting	Female	2	2	7.80,8.45		Through-hole	2	Gold	-30 to 85	1pack (100pcs.)	Socket; Straight; Changed Finish
GO	DF11	543-0556-7 83	DF11-12DS-2DSA(83)	12	Board mounting	Female	2	2	7.80,8.45		Through-hole	2	Tin	-30 to 85	1pcs.	Socket; Straight; Specified packaging
GO	DF11	543-0789-5 25	DF11-12DS-2R24(25)	12	Wire	Female	2	2		IDC		1.5	Tin	-30 to 85	80pcs. (1magazine)	Housing; For AWG#24 discrete wire; Specified packaging
GO	DF11	543-0656-1 05	DF11-12DS-2R26(05)	12	Wire	Female	2	2		IDC		1	Tin	-30 to 85	1pack (100pcs.)	Housing; For AWG#26 discrete wire
GO	DF11	543-0656-1 25	DF11-12DS-2R26(25)	12	Wire	Female	2	2		IDC		1	Tin	-30 to 85	80pcs. (1magazine)	Housing; For AWG#26 discrete wire; Specified packaging
GO	DF11	543-0656-1 91	DF11-12DS-2R26(91)	12	Wire	Female	2	2		IDC		1	Tin	-30 to 85	1pack (100pcs.)	Housing; For AWG#26 discrete wire
GO	DF11	543-0703-0 00	DF11-14DEP-2A	14	Panel	Male	2	2				2	Tin	-30 to 85	1pack (100pcs.)	In-line adapter; Both ends male contacts; Pin contact
GO	DF11	543-0624-5 00	DF11-14DEP-2C	14	Panel	Male	2	2				2		-30 to 85	1pack (100pcs.)	In-line plug; Male contact; Pin contact termination
GO	DF11	543-0538-5 24	DF11-14DP-2DS(24)	14	Board mounting	Male	2	2			Through-hole	2	Tin	-30 to 85	30pcs. (1magazine)	Header; Right angle; Low insertion/extraction force; Specified packaging
GO	DF11	543-0538-5 52	DF11-14DP-2DS(52)	14	Board mounting	Male	2	2			Through-hole	2	Gold	-30 to 85	30pcs. (1magazine)	Header; Right angle; Insulation housing:Black; Specified packaging; Changed Finish
GO	DF11	543-0538-5 54	DF11-14DP-2DS(54)	14	Board mounting	Male	2	2			Through-hole	2	Gold	-30 to 85	30pcs. (1magazine)	Header; Right angle; Insulation housing:Black; Changed Finish
GO	DF11	543-0522-5 01	DF11-14DP-2DSA(01)	14	Board mounting	Male	2	2	7.55,7.80		Through-hole	2	Gold	-30 to 85	1pack (100pcs.)	Header; Straight; Changed Finish
GO	DF11	543-0522-5 08	DF11-14DP-2DSA(08)	14	Board mounting	Male	2	2	7.55,7.80		Through-hole	2	Tin	-30 to 85	1pack (100pcs.)	Header; Straight; Low insertion/extraction force; Changed Finish
GO	DF11	543-0522-5 24	DF11-14DP-2DSA(24)	14	Board mounting	Male	2	2	7.55,7.80		Through-hole	2	Tin	-30 to 85	30pcs. (1magazine)	Header; Straight; Low insertion/extraction force; Specified packaging; Changed Finish
					Board						Through-				1pack	Header; Straight; Insulation

GO	DF11	543-0522-5 30	DF11-14DP-2DSA(30)	14	mounting	Male	2	2	7.55,7.80		hole	2	Gold	-30 to 85	(100pcs.)	housing:White; Changed Finish
GO	DF11	543-0522-5 87	DF11-14DP-2DSA(87)	14	Board mounting	Male	2	2	7.55,7.80		Through-hole	2	Tin	-30 to 85	1pack (100pcs.)	Header; Straight; Insulation housing:Gray
GO	DF11	543-0522-5 89	DF11-14DP-2DSA(89)	14	Board mounting	Male	2	2	7.55,7.80		Through-hole	2	Tin	-30 to 85	1pack (100pcs.)	Header; Straight; Insulation housing:White
GO	DF11	543-0522-5 91	DF11-14DP-2DSA(91)	14	Board mounting	Male	2	2	7.55,7.80		Through-hole	2	Tin	-30 to 85	1pack (100pcs.)	Header; Straight
GO	DF11	543-0590-5 54	DF11-14DP-2V(54)	14	Board mounting	Male	2	2	8.20,8.45		SMT	2	Gold	-30 to 85	1reel (500pcs.)	Header; Straight; Specified packaging
GO	DF11	543-0590-5 57	DF11-14DP-2V(57)	14	Board mounting	Male	2	2	8.20,8.45		SMT	2	Gold	-30 to 85	1reel (500pcs.)	Header; Straight; Locating boss; Suction cap for automatic PCB mounting; Specified packaging; Changed Finish
GO	DF11	543-0506-9 00	DF11-14DS-2C	14	Wire	Female	2	2				2		-30 to 85	1pack (100pcs.)	Housing; For Discrete wire; Crimping
GO	DF11	543-0506-9 10	DF11-14DS-2C(10)	14	Wire	Female	2	2				2		-30 to 85	1pack (100pcs.)	Housing; For Discrete wire; Crimping; Insulation housing:White
GO	DF11	543-0506-9 17	DF11-14DS-2C(17)	14	Wire	Female	2	2				2		-30 to 85	1pack (100pcs.)	Housing; For Discrete wire; Crimping; Insulation housing:Gray
GO	DF11	543-0506-9 20	DF11-14DS-2C(20)	14	Wire	Female	2	2				2		-30 to 85	1pack (100pcs.)	Housing; For Discrete wire; Crimping; Reinforced lock
GO	DF11	543-0557-0 05	DF11-14DS-2DSA(05)	14	Board mounting	Female	2	2	7.80,8.45		Through-hole	2	Tin	-30 to 85	1pack (100pcs.)	Socket; Straight
GO	DF11	543-0557-0 06	DF11-14DS-2DSA(06)	14	Board mounting	Female	2	2	7.80,8.45		Through-hole	2	Gold	-30 to 85	1pack (100pcs.)	Socket; Straight; Changed Finish
GO	DF11	543-0790-4 25	DF11-14DS-2R24(25)	14	Wire	Female	2	2		IDC		1.5	Tin	-30 to 85	70pcs. (1magazine)	Housing; For AWG#24 discrete wire; Specified packaging
GO	DF11	543-0657-4 05	DF11-14DS-2R26(05)	14	Wire	Female	2	2		IDC		1	Tin	-30 to 85	1pack (100pcs.)	Housing; For AWG#26 discrete wire
GO	DF11	543-0657-4 25	DF11-14DS-2R26(25)	14	Wire	Female	2	2		IDC		1	Tin	-30 to 85	70pcs. (1magazine)	Housing; For AWG#26 discrete wire; Specified packaging
GO	DF11	543-0704-2 00	DF11-16DEP-2A	16	Panel	Male	2	2				2	Tin	-30 to 85	1pack (100pcs.)	In-line adapter; Both ends male contacts; Pin contact
GO	DF11	543-0625-8 00	DF11-16DEP-2C	16	Panel	Male	2	2				2		-30 to 85	1pack (100pcs.)	In-line plug; Male contact; Pin contact termination
GO	DF11	543-0539-8 24	DF11-16DP-2DS(24)	16	Board mounting	Male	2	2			Through-hole	2	Tin	-30 to 85	27pcs. (1magazine)	Header; Right angle; Low insertion/extraction force; Specified packaging
GO	DF11	543-0539-8 52	DF11-16DP-2DS(52)	16	Board mounting	Male	2	2			Through-hole	2	Gold	-30 to 85	27pcs. (1magazine)	Header; Right angle; Insulation housing:Black; Specified packaging; Changed Finish
GO	DF11	543-0523-8 01	DF11-16DP-2DSA(01)	16	Board mounting	Male	2	2	7.55,7.80		Through-hole	2	Gold	-30 to 85	1pack (100pcs.)	Header; Straight; Specified packaging; Changed Finish
GO	DF11	543-0523-8 05	DF11-16DP-2DSA(05)	16	Board mounting	Male	2	2	7.55,7.80		Through-hole	2	Gold	-30 to 85	1pack (100pcs.)	Header; Straight; Specified packaging; Changed Finish
GO	DF11	543-0523-8 08	DF11-16DP-2DSA(08)	16	Board mounting	Male	2	2	7.55,7.80		Through-hole	2	Tin	-30 to 85	1pack (100pcs.)	Header; Straight; Low insertion/extraction force; Changed Finish
GO	DF11	543-0523-8 24	DF11-16DP-2DSA(24)	16	Board mounting	Male	2	2	7.55,7.80		Through-hole	2	Tin	-30 to 85	27pcs. (1magazine)	Header; Straight; Low insertion/extraction force; Specified packaging; Changed

																	Finish
GO	DF11	543-0591-8 51	DF11-16DP-2V(51)	16	Board mounting	Male	2	2	8.20,8.45		SMT	2	Gold	-30 to 85	1reel (500pcs.)	Header; Straight; Locating boss; Specified packaging; Changed Finish	
GO	DF11	543-0591-8 57	DF11-16DP-2V(57)	16	Board mounting	Male	2	2	8.20,8.45		SMT	2	Gold	-30 to 85	1reel (500pcs.)	Header; Straight; Locating boss; Suction cap for automatic PCB mounting; Specified packaging; Changed Finish	
GO	DF11	543-0507-1 00	DF11-16DS-2C	16	Wire	Female	2	2				2		-30 to 85	1pack (100pcs.)	Housing; For Discrete wire; Crimping	
GO	DF11	543-0507-1 10	DF11-16DS-2C(10)	16	Wire	Female	2	2				2		-30 to 85	1pack (100pcs.)	Housing; For Discrete wire; Crimping; Insulation housing:White	
GO	DF11	543-0507-1 20	DF11-16DS-2C(20)	16	Wire	Female	2	2				2		-30 to 85	1pack (100pcs.)	Housing; For Discrete wire; Crimping; Reinforced lock	
GO	DF11	543-0507-1 80	DF11-16DS-2C(80)	16			2	2				2		-30 to 85	1pack (100pcs.)		
GO	DF11	543-0558-2 05	DF11-16DS-2DSA(05)	16	Board mounting	Female	2	2	7.80,8.45		Through-hole	2	Tin	-30 to 85	1pack (100pcs.)	Socket; Straight	
GO	DF11	543-0558-2 06	DF11-16DS-2DSA(06)	16	Board mounting	Female	2	2	7.80,8.45		Through-hole	2	Gold	-30 to 85	1pack (100pcs.)	Socket; Straight; Changed Finish	
GO	DF11	543-0791-7 25	DF11-16DS-2R24(25)	16	Wire	Female	2	2			IDC	1.5	Tin	-30 to 85	62pcs. (1magazine)	Housing; For AWG#24 discrete wire; Specified packaging	
GO	DF11	543-0658-7 05	DF11-16DS-2R26(05)	16	Wire	Female	2	2			IDC	1	Tin	-30 to 85	1pack (100pcs.)	Housing; For AWG#26 discrete wire	
GO	DF11	543-0658-7 25	DF11-16DS-2R26(25)	16	Wire	Female	2	2			IDC	1	Tin	-30 to 85	62pcs. (1magazine)	Housing; For AWG#26 discrete wire; Specified packaging	
GO	DF11	543-0658-7 87	DF11-16DS-2R26(87)	16	Wire	Female	2	2			IDC	1	Tin	-30 to 85	1pack (100pcs.)	Housing; For AWG#26 discrete wire; Insulation housing:Gray; Specified packaging	
GO	DF11	543-0705-5 00	DF11-18DEP-2A	18	Panel	Male	2	2				2	Tin	-30 to 85	1pack (100pcs.)	In-line adapter; Both ends male contacts; Pin contact	
GO	DF11	543-0626-0 00	DF11-18DEP-2C	18	Panel	Male	2	2				2		-30 to 85	1pack (100pcs.)	In-line plug; Male contact; Pin contact termination	
GO	DF11	543-0540-7 24	DF11-18DP-2DS(24)	18	Board mounting	Male	2	2			Through-hole	2	Tin	-30 to 85	24pcs. (1magazine)	Header; Right angle; Low insertion/extraction force; Specified packaging	
GO	DF11	543-0540-7 52	DF11-18DP-2DS(52)	18	Board mounting	Male	2	2			Through-hole	2	Gold	-30 to 85	24pcs. (1magazine)	Header; Right angle; Insulation housing:Black; Specified packaging; Changed Finish	
GO	DF11	543-0524-0 01	DF11-18DP-2DSA(01)	18	Board mounting	Male	2	2	7.55,7.80		Through-hole	2	Gold	-30 to 85	1pack (100pcs.)	Header; Straight; Changed Finish	
GO	DF11	543-0524-0 08	DF11-18DP-2DSA(08)	18	Board mounting	Male	2	2	7.55,7.80		Through-hole	2	Tin	-30 to 85	1pack (100pcs.)	Header; Straight; Low insertion/extraction force; Changed Finish	
GO	DF11	543-0524-0 24	DF11-18DP-2DSA(24)	18	Board mounting	Male	2	2	7.55,7.80		Through-hole	2	Tin	-30 to 85	24pcs. (1magazine)	Header; Straight; Low insertion/extraction force; Specified packaging; Changed Finish	
GO	DF11	543-0524-0 87	DF11-18DP-2DSA(87)	18	Board mounting	Male	2	2	7.55,7.80		Through-hole	2	Tin	-30 to 85	1pack (100pcs.)	Header; Straight; Insulation housing:Gray	
GO	DF11	543-0524-0 91	DF11-18DP-2DSA(91)	18	Board mounting	Male	2	2	7.55,7.80		Through-hole	2	Tin	-30 to 85	1pack (100pcs.)	Header; Straight	
																	Header; Straight; Locating boss;

GO	DF11	543-0592-0 57	DF11-18DP-2V(57)	18	Board mounting	Male	2	2	8.20,8.45		SMT	2	Gold	-30 to 85	1reel (500pcs.)	Suction cap for automatic PCB mounting; Specified packaging; Changed Finish
GO	DF11	543-0508-4 00	DF11-18DS-2C	18	Wire	Female	2	2				2		-30 to 85	1pack (100pcs.)	Housing; For Discrete wire; Crimping
GO	DF11	543-0508-4 10	DF11-18DS-2C(10)	18	Wire	Female	2	2				2		-30 to 85	1pack (100pcs.)	Housing; For Discrete wire; Crimping; Insulation housing:White
GO	DF11	543-0508-4 17	DF11-18DS-2C(17)	18	Wire	Female	2	2				2		-30 to 85	1pack (100pcs.)	Housing; For Discrete wire; Crimping; Insulation housing:Gray
GO	DF11	543-0508-4 20	DF11-18DS-2C(20)	18	Wire	Female	2	2				2		-30 to 85	1pack (100pcs.)	Housing; For Discrete wire; Crimping; Reinforced lock
GO	DF11	543-0508-4 41	DF11-18DS-2C(41)	18	Wire	Female	2	2				2		-30 to 85	1pack (1000pcs.)	Housing; For Discrete wire; Crimping; Specified packaging
GO	DF11	543-0559-5 05	DF11-18DS-2DSA(05)	18	Board mounting	Female	2	2	7.80,8.45		Through-hole	2	Tin	-30 to 85	1pack (100pcs.)	Socket; Straight
GO	DF11	543-0559-5 06	DF11-18DS-2DSA(06)	18	Board mounting	Female	2	2	7.80,8.45		Through-hole	2	Gold	-30 to 85	1pack (100pcs.)	Socket; Straight; Changed Finish
GO	DF11	543-0792-0 25	DF11-18DS-2R24(25)	18	Wire	Female	2	2			IDC	1.5	Tin	-30 to 85	56pcs. (1magazine)	Housing; For AWG#24 discrete wire; Specified packaging
GO	DF11	543-0659-0 05	DF11-18DS-2R26(05)	18	Wire	Female	2	2			IDC	1	Tin	-30 to 85	1pack (100pcs.)	Housing; For AWG#26 discrete wire
GO	DF11	543-0659-0 25	DF11-18DS-2R26(25)	18	Wire	Female	2	2			IDC	1	Tin	-30 to 85	56pcs. (1magazine)	Housing; For AWG#26 discrete wire; Specified packaging
GO	DF11	543-0706-8 00	DF11-20DEP-2A	20	Panel	Male	2	2				2	Tin	-30 to 85	1pack (100pcs.)	In-line adapter; Both ends male contacts; Pin contact
GO	DF11	543-0627-3 00	DF11-20DEP-2C	20	Panel	Male	2	2				2		-30 to 85	1pack (100pcs.)	In-line plug; Male contact; Pin contact termination
GO	DF11	543-0541-0 24	DF11-20DP-2DS(24)	20	Board mounting	Male	2	2			Through-hole	2	Tin	-30 to 85	22pcs. (1magazine)	Header; Right angle; Low insertion/extraction force; Specified packaging
GO	DF11	543-0541-0 52	DF11-20DP-2DS(52)	20	Board mounting	Male	2	2			Through-hole	2	Gold	-30 to 85	22pcs. (1magazine)	Header; Right angle; Insulation housing:Black; Specified packaging
GO	DF11	543-0541-0 73	DF11-20DP-2DS(73)	12	Board mounting	Male	2	2			Through-hole	2	Tin	-30 to 85	22pcs. (1magazine)	Header; Right angle; Insulation housing:Black; Contact number 3/4/7/8/9/10/13/14 not equipped; Specified packaging
GO	DF11	543-0525-3 01	DF11-20DP-2DSA(01)	20	Board mounting	Male	2	2	7.55,7.80		Through-hole	2	Gold	-30 to 85	1pack (100pcs.)	Header; Straight; Changed Finish
GO	DF11	543-0525-3 08	DF11-20DP-2DSA(08)	20	Board mounting	Male	2	2	7.55,7.80		Through-hole	2	Tin	-30 to 85	1pack (100pcs.)	Header; Straight; Low insertion/extraction force; Changed Finish
GO	DF11	543-0525-3 24	DF11-20DP-2DSA(24)	20	Board mounting	Male	2	2	7.55,7.80		Through-hole	2	Tin	-30 to 85	22pcs. (1magazine)	Header; Straight; Low insertion/extraction force; Specified packaging; Changed Finish
GO	DF11	543-0525-3 89	DF11-20DP-2DSA(89)	20	Board mounting	Male	2	2	7.55,7.80		Through-hole	2	Tin	-30 to 85	1pack (100pcs.)	Header; Straight; Insulation housing:White
GO	DF11	543-0593-3 57	DF11-20DP-2V(57)	20	Board mounting	Male	2	2	8.20,8.45		SMT	2	Gold	-30 to 85	1reel (500pcs.)	Header; Straight; Locating boss; Suction cap for automatic PCB mounting; Specified packaging; Changed Finish

GO	DF11	543-0509-7 00	DF11-20DS-2C	20	Wire	Female	2	2			2		-30 to 85	1pack (100pcs.)	Housing; For Discrete wire; Crimping	
GO	DF11	543-0509-7 10	DF11-20DS-2C(10)	20	Wire	Female	2	2			2		-30 to 85	1pack (100pcs.)	Housing; For Discrete wire; Crimping; Insulation housing:White	
GO	DF11	543-0509-7 20	DF11-20DS-2C(20)	20	Wire	Female	2	2			2		-30 to 85	1pack (100pcs.)	Housing; For Discrete wire; Crimping; Reinforced lock	
GO	DF11	543-0560-4 05	DF11-20DS-2DSA(05)	20	Board mounting	Female	2	2	7.80,8.45		Through-hole	2	Tin	-30 to 85	1pack (100pcs.)	Socket; Straight
GO	DF11	543-0560-4 06	DF11-20DS-2DSA(06)	20	Board mounting	Female	2	2	7.80,8.45		Through-hole	2	Gold	-30 to 85	1pack (100pcs.)	Socket; Straight; Changed Finish
GO	DF11	543-0560-4 73	DF11-20DS-2DSA(73)	12	Board mounting	Female	2	2	7.80,8.45		Through-hole	2	Tin	-30 to 85	1pack (100pcs.)	Socket; Straight; Contact number 3/4/7/8/9/10/13/14 not equipped; Specified packaging
GO	DF11	543-0793-2 25	DF11-20DS-2R24(25)	20	Wire	Female	2	2		IDC	1.5	Tin	-30 to 85	50pcs. (1magazine)	Housing; For AWG#24 discrete wire; Specified packaging	
GO	DF11	543-0660-9 05	DF11-20DS-2R26(05)	20	Wire	Female	2	2		IDC	1	Tin	-30 to 85	1pack (100pcs.)	Housing; For AWG#26 discrete wire	
GO	DF11	543-0660-9 25	DF11-20DS-2R26(25)	20	Wire	Female	2	2		IDC	1	Tin	-30 to 85	50pcs. (1magazine)	Housing; For AWG#26 discrete wire; Specified packaging	
GO	DF11	543-0660-9 87	DF11-20DS-2R26(87)	20	Wire	Female	2	2		IDC	1	Tin	-30 to 85	1pack (100pcs.)	Housing; For AWG#26 discrete wire; Insulation housing:Gray	
GO	DF11	543-0577-7 51	DF11-20DS-2V(51)	20	Board mounting	Female	2	2	7.55,8.20		SMT	2	Gold	-30 to 85	1reel (500pcs.)	Socket; Straight; Specified packaging
GO	DF11	543-0707-0 00	DF11-22DEP-2A	22	Panel	Male	2	2				2	Tin	-30 to 85	1pack (100pcs.)	In-line adapter; Both ends male contacts; Pin contact
GO	DF11	543-0628-6 00	DF11-22DEP-2C	22	Panel	Male	2	2				2		-30 to 85	1pack (100pcs.)	In-line plug; Male contact; Pin contact termination
GO	DF11	543-0542-2 24	DF11-22DP-2DS(24)	22	Board mounting	Male	2	2			Through-hole	2	Tin	-30 to 85	20pcs. (1magazine)	Header; Right angle; Low insertion/extraction force; Specified packaging
GO	DF11	543-0542-2 52	DF11-22DP-2DS(52)	22	Board mounting	Male	2	2			Through-hole	2	Gold	-30 to 85	20pcs. (1magazine)	Header; Right angle; Insulation housing:Black; Specified packaging; Changed Finish
GO	DF11	543-0526-6 01	DF11-22DP-2DSA(01)	22	Board mounting	Male	2	2	7.55,7.80		Through-hole	2	Gold	-30 to 85	1pack (100pcs.)	Header; Straight; Changed Finish
GO	DF11	543-0526-6 08	DF11-22DP-2DSA(08)	22	Board mounting	Male	2	2	7.55,7.80		Through-hole	2	Tin	-30 to 85	1pack (100pcs.)	Header; Straight; Low insertion/extraction force; Changed Finish
GO	DF11	543-0526-6 24	DF11-22DP-2DSA(24)	22	Board mounting	Male	2	2	7.55,7.80		Through-hole	2	Tin	-30 to 85	20pcs. (1magazine)	Header; Straight; Low insertion/extraction force; Specified packaging; Changed Finish
GO	DF11	543-0594-6 57	DF11-22DP-2V(57)	22	Board mounting	Male	2	2	8.20,8.45		SMT	2	Gold	-30 to 85	1reel (500pcs.)	Header; Straight; Locating boss; Suction cap for automatic PCB mounting; Specified packaging; Changed Finish
GO	DF11	543-0510-6 00	DF11-22DS-2C	22	Wire	Female	2	2				2		-30 to 85	1pack (100pcs.)	Housing; For Discrete wire; Crimping
GO	DF11	543-0510-6 10	DF11-22DS-2C(10)	22	Wire	Female	2	2				2		-30 to 85	1pack (100pcs.)	Housing; For Discrete wire; Crimping; Insulation housing:White
GO	DF11	543-0510-6 20	DF11-22DS-2C(20)	22	Wire	Female	2	2				2		-30 to 85	1pack (100pcs.)	Housing; For Discrete wire; Crimping; Reinforced lock

GO	DF11	543-0561-7 05	DF11-22DS-2DSA(05)	22	Board mounting	Female	2	2	7.80,8.45		Through-hole	2	Tin	-30 to 85	1pack (100pcs.)	Socket; Straight
GO	DF11	543-0561-7 06	DF11-22DS-2DSA(06)	22	Board mounting	Female	2	2	7.80,8.45		Through-hole	2	Gold	-30 to 85	1pack (100pcs.)	Socket; Straight; Changed Finish
GO	DF11	543-0661-1 05	DF11-22DS-2R26(05)	22	Wire	Female	2	2		IDC		1	Tin	-30 to 85	1pack (100pcs.)	Housing; For AWG#26 discrete wire
GO	DF11	543-0661-1 25	DF11-22DS-2R26(25)	22	Wire	Female	2	2		IDC		1	Tin	-30 to 85	46pcs. (1magazine)	Housing; For AWG#26 discrete wire; Specified packaging
GO	DF11	543-0800-6 29	DF11-22DS-SP3(29)	8	Jumper		2					2	Tin	-30 to 85	1pack (100pcs.)	Accessory; Short pin; Contact number 1 to 4 and 13 to 22 not equipped
GO	DF11	543-0602-2 00	DF11-22SC		Wire	Female				Crimping		2	Tin	-30 to 85	1pack (100pcs.)	Female contact; Applicable wire:AWG#22; UL1061
GO	DF11	543-0604-8 00	DF11-22SCA		Wire	Female				Crimping		2	Gold	-30 to 85	1pack (100pcs.)	Female contact; Applicable wire:AWG#22; UL1061
GO	DF11	543-0601-0 00	DF11-22SCF		Wire	Female				Crimping		2	Tin	-30 to 85	1reel (10000pcs.)	Female contact; Applicable wire:AWG#22; UL1061
GO	DF11	543-0603-5 00	DF11-22SCFA		Wire	Female				Crimping		2	Gold	-30 to 85	1reel (10000pcs.)	Female contact; Applicable wire:AWG#22; UL1061
GO	DF11	543-0501-5 00	DF11-2428SC		Wire	Female				Crimping		2	Tin	-30 to 85	1pack (100pcs.)	Female contact; Applicable wire:AWG#24 to #28; UL1061; UL1007
GO	DF11	543-0501-5 19	DF11-2428SC(19)		Wire	Female				Crimping		2	Tin	-30 to 85	100pcs. (1pack)	Female contact; Applicable wire:AWG#24 to #28; UL1061; UL1007; Specified packaging
GO	DF11	543-0551-3 00	DF11-2428SCA		Wire	Female				Crimping		2	Gold	-30 to 85	1pack (100pcs.)	Female contact; Applicable wire:AWG#24 to #28; UL1061; UL1007
GO	DF11	543-0500-2 00	DF11-2428SCF		Wire	Female				Crimping		2	Tin	-30 to 85	1reel (10000pcs.)	Female contact; Applicable wire:AWG#24 to #28; UL1061; UL1007
GO	DF11	543-0500-2 43	DF11-2428SCF(43)									2	Tin	-30 to 85	1reel (10000pcs.)	
GO	DF11	543-0500-2 61	DF11-2428SCF(61)		Wire	Female				Crimping		2	Tin	-30 to 85	1reel (10000pcs.)	Female contact; Applicable wire:AWG#24 to #28; UL1061; UL1007
GO	DF11	543-0550-0 00	DF11-2428SCFA		Wire	Female				Crimping		2	Gold	-30 to 85	1reel (10000pcs.)	Female contact; Applicable wire:AWG#24 to #28; UL1061; UL1007
GO	DF11	543-0550-0 43	DF11-2428SCFA(43)									2	Gold	-30 to 85	1reel (10000pcs.)	
GO	DF11	543-0783-9 03	DF11-2428SCFB(03)		Wire	Female				Crimping		2	Gold	-30 to 85	1reel (10000pcs.)	Female contact; Changed Finish
GO	DF11	543-0708-3 00	DF11-24DEP-2A	24	Panel	Male	2	2				2	Tin	-30 to 85	1pack (100pcs.)	In-line adapter; Both ends male contacts; Pin contact
GO	DF11	543-0629-9 00	DF11-24DEP-2C	24	Panel	Male	2	2				2		-30 to 85	1pack (100pcs.)	In-line plug; Male contact; Pin contact termination
GO	DF11	543-0543-5 24	DF11-24DP-2DS(24)	24	Board mounting	Male	2	2			Through-hole	2	Tin	-30 to 85	18pcs. (1magazine)	Header; Right angle; Low insertion/extraction force; Specified packaging
GO	DF11	543-0543-5 52	DF11-24DP-2DS(52)	24	Board mounting	Male	2	2			Through-hole	2	Gold	-30 to 85	18pcs. (1magazine)	Header; Right angle; Insulation housing;Black; Specified packaging; Changed Finish
					Board						Through-				1pack	

GO	DF11	543-0527-9 01	DF11-24DP-2DSA(01)	24	mounting	Male	2	2	7.55,7.80		hole	2	Gold	-30 to 85	(100pcs.)	Header; Straight; Changed Finish
GO	DF11	543-0527-9 08	DF11-24DP-2DSA(08)	24	Board mounting	Male	2	2	7.55,7.80		Through-hole	2	Tin	-30 to 85	1pack (100pcs.)	Header; Straight; Low insertion/extraction force; Changed Finish
GO	DF11	543-0527-9 24	DF11-24DP-2DSA(24)	24	Board mounting	Male	2	2	7.55,7.80		Through-hole	2	Tin	-30 to 85	18pcs. (1 magazine)	Header; Straight; Low insertion/extraction force; Specified packaging; Changed Finish
GO	DF11	543-0595-9 57	DF11-24DP-2V(57)	24	Board mounting	Male	2	2	8.20,8.45		SMT	2	Gold	-30 to 85	1reel (500pcs.)	Header; Straight; Locating boss; Suction cap for automatic PCB mounting; Specified packaging; Changed Finish
GO	DF11	543-0511-9 00	DF11-24DS-2C	24	Wire	Female	2	2				2		-30 to 85	1pack (100pcs.)	Housing; For Discrete wire; Crimping
GO	DF11	543-0511-9 10	DF11-24DS-2C(10)	24	Wire	Female	2	2				2		-30 to 85	1pack (100pcs.)	Housing; For Discrete wire; Crimping; Insulation housing;White
GO	DF11	543-0511-9 20	DF11-24DS-2C(20)	24	Wire	Female	2	2				2		-30 to 85	1pack (100pcs.)	Housing; For Discrete wire; Crimping; Reinforced lock
GO	DF11	543-0511-9 41	DF11-24DS-2C(41)	24	Wire	Female	2	2				2		-30 to 85	1pack (1000pcs.)	Housing; For Discrete wire; Crimping
GO	DF11	543-0562-0 05	DF11-24DS-2DSA(05)	24	Board mounting	Female	2	2	7.80,8.45		Through-hole	2	Tin	-30 to 85	1pack (100pcs.)	Socket; Straight
GO	DF11	543-0562-0 06	DF11-24DS-2DSA(06)	24	Board mounting	Female	2	2	7.80,8.45		Through-hole	2	Gold	-30 to 85	1pack (100pcs.)	Socket; Straight; Changed Finish
GO	DF11	543-0795-8 25	DF11-24DS-2R24(25)	24	Wire	Female	2	2			IDC	1.5	Tin	-30 to 85	42pcs. (1 magazine)	Housing; For AWG#24 discrete wire; Specified packaging
GO	DF11	543-0662-4 05	DF11-24DS-2R26(05)	24	Wire	Female	2	2			IDC	1	Tin	-30 to 85	1pack (100pcs.)	Housing; For AWG#26 discrete wire
GO	DF11	543-0662-4 25	DF11-24DS-2R26(25)	24	Wire	Female	2	2			IDC	1	Tin	-30 to 85	42pcs. (1 magazine)	Housing; For AWG#26 discrete wire; Specified packaging
GO	DF11	543-0579-2 51	DF11-24DS-2V(51)	24	Board mounting	Female	2	2	7.55,8.20		SMT	2	Gold	-30 to 85	1reel (500pcs.)	Socket; Straight; Specified packaging
GO	DF11	543-0709-6 00	DF11-26DEP-2A	26	Panel	Male	2	2				2	Tin	-30 to 85	1pack (100pcs.)	In-line adapter; Both ends male contacts; Pin contact
GO	DF11	543-0630-8 00	DF11-26DEP-2C	26	Panel	Male	2	2				2		-30 to 85	1pack (100pcs.)	In-line plug; Male contact; Pin contact termination
GO	DF11	543-0544-8 24	DF11-26DP-2DS(24)	26	Board mounting	Male	2	2			Through-hole	2	Tin	-30 to 85	17pcs. (1 magazine)	Header; Right angle; Low insertion/extraction force; Specified packaging
GO	DF11	543-0544-8 52	DF11-26DP-2DS(52)	26	Board mounting	Male	2	2			Through-hole	2	Gold	-30 to 85	17pcs. (1 magazine)	Header; Right angle; Insulation housing;Black; Specified packaging; Changed Finish
GO	DF11	543-0544-8 90	DF11-26DP-2DS(90)	26	Board mounting	Male	2	2			Through-hole	2	Tin	-30 to 85	17pcs. (1 magazine)	Header; Right angle; Insulation housing;White; Specified packaging
GO	DF11	543-0528-1 01	DF11-26DP-2DSA(01)	26	Board mounting	Male	2	2	7.55,7.80		Through-hole	2	Gold	-30 to 85	1pack (100pcs.)	Header; Straight; Changed Finish
GO	DF11	543-0528-1 08	DF11-26DP-2DSA(08)	26	Board mounting	Male	2	2	7.55,7.80		Through-hole	2	Tin	-30 to 85	1pack (100pcs.)	Header; Straight; Low insertion/extraction force; Changed Finish
GO	DF11	543-0528-1 24	DF11-26DP-2DSA(24)	26	Board mounting	Male	2	2	7.55,7.80		Through-hole	2	Tin	-30 to 85	17pcs.	Header; Straight; Low insertion/extraction force;

					mounting						hole				(1magazine)	Specified packaging; Changed Finish
GO	DF11	543-0528-1 72	DF11-26DP-2DSA(72)	18	Board mounting	Male	2	2	7.55,7.80		Through-hole	2	Tin	-30 to 85	1pack (100pcs.)	Header; Straight; Contact number 3/4/7/8/11/12/19/20 not equipped; Specified packaging
GO	DF11	543-0528-1 73	DF11-26DP-2DSA(73)	18	Board mounting	Male	2	2	7.55,7.80		Through-hole	2	Tin	-30 to 85	1pack (100pcs.)	Header; Straight; Contact number 7/8/15/16/19/20/23/24 not equipped; Specified packaging
GO	DF11	543-0528-1 91	DF11-26DP-2DSA(91)	26	Board mounting	Male	2	2	7.55,7.80		Through-hole	2	Tin	-30 to 85	1pack (100pcs.)	Header; Straight
GO	DF11	543-0596-1 51	DF11-26DP-2V(51)	26	Board mounting	Male	2	2	8.20,8.45		SMT	2	Gold	-30 to 85	1reel (500pcs.)	Header; Straight; Specified packaging; Changed Finish
GO	DF11	543-0596-1 57	DF11-26DP-2V(57)	26	Board mounting	Male	2	2	8.20,8.45		SMT	2	Gold	-30 to 85	1reel (500pcs.)	Header; Straight; Locating boss; Suction cap for automatic PCB mounting; Specified packaging; Changed Finish
GO	DF11	543-0512-1 00	DF11-26DS-2C	26	Wire	Female	2	2				2		-30 to 85	1pack (100pcs.)	Housing; For Discrete wire; Crimping
GO	DF11	543-0512-1 10	DF11-26DS-2C(10)	26	Wire	Female	2	2				2		-30 to 85	1pack (100pcs.)	Housing; For Discrete wire; Crimping; Insulation housing:White
GO	DF11	543-0512-1 20	DF11-26DS-2C(20)	26	Wire	Female	2	2				2		-30 to 85	1pack (100pcs.)	Housing; For Discrete wire; Crimping; Reinforced lock
GO	DF11	543-0563-2 05	DF11-26DS-2DSA(05)	26	Board mounting	Female	2	2	7.80,8.45		Through-hole	2	Tin	-30 to 85	1pack (100pcs.)	Socket; Straight
GO	DF11	543-0563-2 06	DF11-26DS-2DSA(06)	26	Board mounting	Female	2	2	7.80,8.45		Through-hole	2	Gold	-30 to 85	1pack (100pcs.)	Socket; Straight; Changed Finish
GO	DF11	543-0663-7 05	DF11-26DS-2R26(05)	26	Wire	Female	2	2		IDC		1	Tin	-30 to 85	1pack (100pcs.)	Housing; For AWG#26 discrete wire
GO	DF11	543-0663-7 25	DF11-26DS-2R26(25)	26	Wire	Female	2	2		IDC		1	Tin	-30 to 85	40pcs. (1magazine)	Housing; For AWG#26 discrete wire; Specified packaging
GO	DF11	543-0663-7 91	DF11-26DS-2R26(91)	26	Wire	Female	2	2		IDC		1	Tin	-30 to 85	1pack (100pcs.)	Housing; For AWG#26 discrete wire
GO	DF11	543-0710-5 00	DF11-28DEP-2A	28	Panel	Male	2	2				2	Tin	-30 to 85	1pack (100pcs.)	In-line adapter; Both ends male contacts; Pin contact
GO	DF11	543-0631-0 00	DF11-28DEP-2C	28	Panel	Male	2	2				2		-30 to 85	1pack (100pcs.)	In-line plug; Male contact; Pin contact termination
GO	DF11	543-0545-0 24	DF11-28DP-2DS(24)	28	Board mounting	Male	2	2			Through-hole	2	Tin	-30 to 85	16pcs. (1magazine)	Header; Right angle; Low insertion/extraction force; Specified packaging
GO	DF11	543-0545-0 52	DF11-28DP-2DS(52)	28	Board mounting	Male	2	2			Through-hole	2	Gold	-30 to 85	16pcs. (1magazine)	Header; Right angle; Insulation housing:Black; Specified packaging; Changed Finish
GO	DF11	543-0545-0 90	DF11-28DP-2DS(90)	28	Board mounting	Male	2	2			Through-hole	2	Tin	-30 to 85	16pcs. (1magazine)	Header; Right angle; Insulation housing:White; Specified packaging
GO	DF11	543-0529-4 01	DF11-28DP-2DSA(01)	28	Board mounting	Male	2	2	7.55,7.80		Through-hole	2	Gold	-30 to 85	1pack (100pcs.)	Header; Straight; Changed Finish
GO	DF11	543-0529-4 08	DF11-28DP-2DSA(08)	28	Board mounting	Male	2	2	7.55,7.80		Through-hole	2	Tin	-30 to 85	1pack (100pcs.)	Header; Straight; Low insertion/extraction force; Changed Finish
GO	DF11	543-0529-4 24	DF11-28DP-2DSA(24)	28	Board mounting	Male	2	2	7.55,7.80		Through-hole	2	Tin	-30 to 85	16pcs. (1magazine)	Header; Straight; Low insertion/extraction force; Specified packaging; Changed

																Finish
GO	DF11	543-0597-4 57	DF11-28DP-2V(57)	28	Board mounting	Male	2	2	8.20,8.45		SMT	2	Gold	-30 to 85	1reel (500pcs.)	Header; Straight; Locating boss; Suction cap for automatic PCB mounting; Specified packaging; Changed Finish
GO	DF11	543-0513-4 00	DF11-28DS-2C	28	Wire	Female	2	2				2		-30 to 85	1pack (100pcs.)	Housing; For Discrete wire; Crimping
GO	DF11	543-0513-4 10	DF11-28DS-2C(10)	28	Wire	Female	2	2				2		-30 to 85	1pack (100pcs.)	Housing; For Discrete wire; Crimping; Insulation housing;White
GO	DF11	543-0513-4 20	DF11-28DS-2C(20)	28	Wire	Female	2	2				2		-30 to 85	1pack (100pcs.)	Housing; For Discrete wire; Crimping; Reinforced lock
GO	DF11	543-0564-5 05	DF11-28DS-2DSA(05)	28	Board mounting	Female	2	2	7.80,8.45		Through-hole	2	Tin	-30 to 85	1pack (100pcs.)	Socket; Straight
GO	DF11	543-0564-5 06	DF11-28DS-2DSA(06)	28	Board mounting	Female	2	2	7.80,8.45		Through-hole	2	Gold	-30 to 85	1pack (100pcs.)	Socket; Straight; Changed Finish
GO	DF11	543-0797-3 25	DF11-28DS-2R24(25)	28	Wire	Female	2	2		IDC		1.5	Tin	-30 to 85	36pcs. (1magazine)	Housing; For AWG#24 discrete wire; Specified packaging
GO	DF11	543-0664-0 05	DF11-28DS-2R26(05)	28	Wire	Female	2	2		IDC		1	Tin	-30 to 85	1pack (100pcs.)	Housing; For AWG#26 discrete wire
GO	DF11	543-0664-0 25	DF11-28DS-2R26(25)	28	Wire	Female	2	2		IDC		1	Tin	-30 to 85	36pcs. (1magazine)	Housing; For AWG#26 discrete wire; Specified packaging
GO	DF11	543-0664-0 91	DF11-28DS-2R26(91)	28	Wire	Female	2	2		IDC		1	Tin	-30 to 85	1pack (100pcs.)	Housing; For AWG#26 discrete wire
GO	DF11	543-0711-8 00	DF11-30DEP-2A	30	Panel	Male	2	2				2	Tin	-30 to 85	1pack (100pcs.)	In-line adapter; Both ends male contacts; Pin contact
GO	DF11	543-0632-3 00	DF11-30DEP-2C	30	Panel	Male	2	2				2		-30 to 85	1pack (100pcs.)	In-line plug; Male contact; Pin contact termination
GO	DF11	543-0546-3 21	DF11-30DP-2DS(21)	30	Board mounting	Male	2	2			Through-hole	2	Gold	-30 to 85	1pack (100pcs.)	Header; Right angle; Insulation housing;Black; Cut through hole terminal
GO	DF11	543-0546-3 24	DF11-30DP-2DS(24)	30	Board mounting	Male	2	2			Through-hole	2	Tin	-30 to 85	15pcs. (1magazine)	Header; Right angle; Low insertion/extraction force; Specified packaging
GO	DF11	543-0546-3 52	DF11-30DP-2DS(52)	30	Board mounting	Male	2	2			Through-hole	2	Gold	-30 to 85	15pcs. (1magazine)	Header; Right angle; Insulation housing;Black; Specified packaging; Changed Finish
GO	DF11	543-0530-3 01	DF11-30DP-2DSA(01)	30	Board mounting	Male	2	2	7.55,7.80		Through-hole	2	Gold	-30 to 85	1pack (100pcs.)	Header; Straight; Changed Finish
GO	DF11	543-0530-3 08	DF11-30DP-2DSA(08)	30	Board mounting	Male	2	2	7.55,7.80		Through-hole	2	Tin	-30 to 85	1pack (100pcs.)	Header; Straight; Low insertion/extraction force; Changed Finish
GO	DF11	543-0530-3 24	DF11-30DP-2DSA(24)	30	Board mounting	Male	2	2	7.55,7.80		Through-hole	2	Tin	-30 to 85	15pcs. (1magazine)	Header; Straight; Low insertion/extraction force; Specified packaging; Changed Finish
GO	DF11	543-0530-3 73	DF11-30DP-2DSA(73)	20	Board mounting	Male	2	2	7.55,7.80		Through-hole	2	Tin	-30 to 85	1pack (100pcs.)	Header; Straight; Contact number 3/4/11/12/19/20/23/24/27/28 not equipped; Specified packaging
GO	DF11	543-0530-3 89	DF11-30DP-2DSA(89)	30	Board mounting	Male	2	2	7.55,7.80		Through-hole	2	Tin	-30 to 85	1pack (100pcs.)	Header; Straight; Insulation housing;White
GO	DF11	543-0598-7 57	DF11-30DP-2V(57)	30	Board mounting	Male	2	2	8.20,8.45		SMT	2	Gold	-30 to 85	1reel (500pcs.)	Header; Straight; Locating boss; Suction cap for automatic PCB mounting; Specified packaging;

																	Changed Finish
GO	DF11	543-0514-7 00	DF11-30DS-2C	30	Wire	Female	2	2				2		-30 to 85	1pack (100pcs.)	Housing; For Discrete wire; Crimping	
GO	DF11	543-0514-7 10	DF11-30DS-2C(10)	30	Wire	Female	2	2				2		-30 to 85	1pack (100pcs.)	Housing; For Discrete wire; Crimping; Insulation housing;White	
GO	DF11	543-0514-7 20	DF11-30DS-2C(20)	30	Wire	Female	2	2				2		-30 to 85	1pack (100pcs.)	Housing; For Discrete wire; Crimping; Reinforced lock	
GO	DF11	543-0565-8 05	DF11-30DS-2DSA(05)	30	Board mounting	Female	2	2	7.80,8.45		Through-hole	2	Tin	-30 to 85	1pack (100pcs.)	Socket; Straight	
GO	DF11	543-0565-8 06	DF11-30DS-2DSA(06)	30	Board mounting	Female	2	2	7.80,8.45		Through-hole	2	Gold	-30 to 85	1pack (100pcs.)	Socket; Straight; Changed Finish	
GO	DF11	543-0798-6 25	DF11-30DS-2R24(25)	30	Wire	Female	2	2			IDC	1.5	Tin	-30 to 85	34pcs. (1magazine)	Housing; For AWG#24 discrete wire; Specified packaging	
GO	DF11	543-0665-2 05	DF11-30DS-2R26(05)	30	Wire	Female	2	2			IDC	1	Tin	-30 to 85	1pack (100pcs.)	Housing; For AWG#26 discrete wire	
GO	DF11	543-0665-2 25	DF11-30DS-2R26(25)	30	Wire	Female	2	2			IDC	1	Tin	-30 to 85	34pcs. (1magazine)	Housing; For AWG#26 discrete wire; Specified packaging	
GO	DF11	543-0606-3 00	DF11-30SC		Wire	Female					Crimping	0.5	Tin	-30 to 85	1pack (100pcs.)	Female contact; Applicable wire:AWG#30; UL1061; UL1007	
GO	DF11	543-0608-9 00	DF11-30SCA		Wire	Female					Crimping	0.5	Gold	-30 to 85	1pack (100pcs.)	Female contact; Applicable wire:AWG#30; UL1061; UL1007	
GO	DF11	543-0605-0 00	DF11-30SCF		Wire	Female					Crimping	0.5	Tin	-30 to 85	1reel (10000pcs.)	Female contact; Applicable wire:AWG#30; UL1061; UL1007	
GO	DF11	543-0607-6 00	DF11-30SCFA		Wire	Female					Crimping	0.5	Gold	-30 to 85	1reel (10000pcs.)	Female contact; Applicable wire:AWG#30; UL1061; UL1007	
GO	DF11	543-0712-0 00	DF11-32DEP-2A	32	Panel	Male	2	2				2	Tin	-30 to 85	1pack (100pcs.)	In-line adapter; Both ends male contacts; Pin contact	
GO	DF11	543-0633-6 00	DF11-32DEP-2C	32	Panel	Male	2	2				2		-30 to 85	1pack (100pcs.)	In-line plug; Male contact; Pin contact termination	
GO	DF11	543-0547-6 24	DF11-32DP-2DS(24)	32	Board mounting	Male	2	2			Through-hole	2	Tin	-30 to 85	14pcs. (1magazine)	Header; Right angle; Low insertion/extraction force; Specified packaging	
GO	DF11	543-0547-6 52	DF11-32DP-2DS(52)	32	Board mounting	Male	2	2			Through-hole	2	Gold	-30 to 85	14pcs. (1magazine)	Header; Right angle; Insulation housing;Black; Specified packaging; Changed Finish	
GO	DF11	543-0531-6 01	DF11-32DP-2DSA(01)	32	Board mounting	Male	2	2	7.55,7.80		Through-hole	2	Gold	-30 to 85	1pack (100pcs.)	Header; Straight; Changed Finish	
GO	DF11	543-0531-6 08	DF11-32DP-2DSA(08)	32	Board mounting	Male	2	2	7.55,7.80		Through-hole	2	Tin	-30 to 85	1pack (100pcs.)	Header; Straight; Low insertion/extraction force; Changed Finish	
GO	DF11	543-0531-6 24	DF11-32DP-2DSA(24)	32	Board mounting	Male	2	2	7.55,7.80		Through-hole	2	Tin	-30 to 85	14pcs. (1magazine)	Header; Straight; Low insertion/extraction force; Specified packaging; Changed Finish	
GO	DF11	543-0599-0 57	DF11-32DP-2V(57)	32	Board mounting	Male	2	2	8.20,8.45		SMT	2	Gold	-30 to 85	1reel (500pcs.)	Header; Straight; Locating boss; Suction cap for automatic PCB mounting; Specified packaging; Changed Finish	
															1pack	Housing; For Discrete wire;	

GO	DF11	543-0517-5 24	DF11-4DP-2DSA(24)	4	Board mounting	Male	2	2	7.55,7.80		Through-hole	2	Tin	-30 to 85	81pcs. (1 magazine)	insertion/extraction force; Specified packaging; Changed Finish
GO	DF11	543-0517-5 75	DF11-4DP-2DSA(75)	4	Board mounting	Male	2	2	7.55,7.80		Through-hole	2	Tin	-30 to 85	1pack (100pcs.)	Header; Straight; Insulation housing; Yellow
GO	DF11	543-0517-5 84	DF11-4DP-2DSA(84)	4	Board mounting	Male	2	2	7.55,7.80		Through-hole	2	Tin	-30 to 85	1pack (100pcs.)	Header; Straight; Insulation housing; Yellow
GO	DF11	543-0585-5 57	DF11-4DP-2V(57)	4	Board mounting	Male	2	2	8.20,8.45		SMT	2	Gold	-30 to 85	1reel (500pcs.)	Header; Straight; Locating boss; Suction cap for automatic PCB mounting; Specified packaging; Changed Finish
GO	DF11	543-0609-1 05	DF11-4DP-SP1(05)	4	Jumper		2					2	Tin	-30 to 85	1pack (100pcs.)	Accessory; Short pin
GO	DF11	543-0612-6 05	DF11-4DP-SP2(05)	4	Jumper		2					2	Tin	-30 to 85	1pack (100pcs.)	Accessory; Short pin
GO	DF11	543-0568-6 00	DF11-4DS-2C	4	Wire	Female	2	2				2		-30 to 85	1pack (100pcs.)	Housing; For Discrete wire; Crimping
GO	DF11	543-0568-6 10	DF11-4DS-2C(10)	4	Wire	Female	2	2				2		-30 to 85	1pack (100pcs.)	Housing; For Discrete wire; Crimping; Insulation housing; White
GO	DF11	543-0568-6 16	DF11-4DS-2C(16)	4	Wire	Female	2	2				2		-30 to 85	1pack (100pcs.)	Housing; For Discrete wire; Crimping; Insulation housing; Blue
GO	DF11	543-0568-6 17	DF11-4DS-2C(17)	4	Wire	Female	2	2				2		-30 to 85	1pack (100pcs.)	Housing; For Discrete wire; Crimping; Insulation housing; Gray
GO	DF11	543-0568-6 20	DF11-4DS-2C(20)	4	Wire	Female	2	2				2		-30 to 85	1pack (100pcs.)	Housing; For Discrete wire; Crimping; Reinforced lock
GO	DF11	543-0568-6 41	DF11-4DS-2C(41)	4	Wire	Female	2	2				2		-30 to 85	1pack (1000pcs.)	Housing; For Discrete wire; Crimping; Specified packaging
GO	DF11	543-0568-6 80	DF11-4DS-2C(80)	4			2	2				2		-30 to 85	1pack (100pcs.)	
GO	DF11	543-0785-4 25	DF11-4DS-2R24(25)	4	Wire	Female	2	2		IDC		1.5	Tin	-30 to 85	188pcs. (1 magazine)	Housing; For AWG#24 discrete wire; Specified packaging
GO	DF11	543-0652-0 05	DF11-4DS-2R26(05)	4	Wire	Female	2	2		IDC		1	Tin	-30 to 85	1pack (100pcs.)	Housing; For AWG#26 discrete wire
GO	DF11	543-0652-0 25	DF11-4DS-2R26(25)	4	Wire	Female	2	2		IDC		1	Tin	-30 to 85	188pcs. (1 magazine)	Housing; For AWG#26 discrete wire; Specified packaging
GO	DF11	543-0699-4 00	DF11-6DEP-2A	6	Panel	Male	2	2				2	Tin	-30 to 85	1pack (100pcs.)	In-line adapter; Both ends male contacts; Pin contact
GO	DF11	543-0620-4 00	DF11-6DEP-2C	6	Panel	Male	2	2				2		-30 to 85	1pack (100pcs.)	In-line plug; Male contact; Pin contact termination
GO	DF11	543-0620-4 41	DF11-6DEP-2C(41)	6	Panel	Male	2	2				2		-30 to 85	1000pcs. (1 pack)	In-line plug; Male contact; Pin contact termination; Specified packaging
GO	DF11	543-0534-4 24	DF11-6DP-2DS(24)	6	Board mounting	Male	2	2			Through-hole	2	Tin	-30 to 85	61pcs. (1 magazine)	Header; Right angle; Low insertion/extraction force; Specified packaging
GO	DF11	543-0534-4 52	DF11-6DP-2DS(52)	6	Board mounting	Male	2	2			Through-hole	2	Gold	-30 to 85	61pcs. (1 magazine)	Header; Right angle; Insulation housing; Black; Specified packaging; Changed Finish
GO	DF11	543-0534-4 55	DF11-6DP-2DS(55)	6	Board mounting	Male	2	2			Through-hole	2	Gold	-30 to 85	61pcs. (1 magazine)	Header; Right angle; Insulation housing; Black; Specified packaging

GO	DF11	543-0534-4 90	DF11-6DP-2DS(90)	6	Board mounting	Male	2	2		Through-hole	2	Tin	-30 to 85	61pcs. (1magazine)	Header; Right angle; Insulation housing:White
GO	DF11	543-0534-4 98	DF11-6DP-2DS(98)	6	Board mounting	Male	2	2		Through-hole	2	Tin	-30 to 85	61pcs. (1magazine)	Header; Right angle; Insulation housing:Red; Specified packaging
GO	DF11	543-0518-8 01	DF11-6DP-2DSA(01)	6	Board mounting	Male	2	2	7.55,7.80	Through-hole	2	Gold	-30 to 85	1pack (100pcs.)	Header; Straight; Changed Finish
GO	DF11	543-0518-8 03	DF11-6DP-2DSA(03)	6	Board mounting	Male	2	2	7.55,7.80	Through-hole	2	Gold	-30 to 85	1pack (100pcs.)	Header; Straight; Changed Finish
GO	DF11	543-0518-8 08	DF11-6DP-2DSA(08)	6	Board mounting	Male	2	2	7.55,7.80	Through-hole	2	Tin	-30 to 85	1pack (100pcs.)	Header; Straight; Low insertion/extraction force; Changed Finish
GO	DF11	543-0518-8 24	DF11-6DP-2DSA(24)	6	Board mounting	Male	2	2	7.55,7.80	Through-hole	2	Tin	-30 to 85	61pcs. (1magazine)	Header; Straight; Low insertion/extraction force; Specified packaging; Changed Finish
GO	DF11	543-0518-8 30	DF11-6DP-2DSA(30)	6	Board mounting	Male	2	2	7.55,7.80	Through-hole	2		-30 to 85	1pack (100pcs.)	Header; Straight; Insulation housing:White; Changed Finish
GO	DF11	543-0518-8 86	DF11-6DP-2DSA(86)	6	Board mounting	Male	2	2	7.55,7.80	Through-hole	2	Tin	-30 to 85	1pack (100pcs.)	Header; Straight; Insulation housing:Blue
GO	DF11	543-0518-8 89	DF11-6DP-2DSA(89)	6	Board mounting	Male	2	2	7.55,7.80	Through-hole	2	Tin	-30 to 85	1pack (100pcs.)	Header; Straight; Insulation housing:White
GO	DF11	543-0586-8 57	DF11-6DP-2V(57)	6	Board mounting	Male	2	2	8.20,8.45	SMT	2	Gold	-30 to 85	1reel (500pcs.)	Header; Straight; Locating boss; Suction cap for automatic PCB mounting; Specified packaging; Changed Finish
GO	DF11	543-0610-0 05	DF11-6DP-SP1(05)	6	Jumper		2				2	Tin	-30 to 85	1pack (100pcs.)	Accessory; Short pin
GO	DF11	543-0613-9 05	DF11-6DP-SP2(05)	6	Jumper		2				2	Tin	-30 to 85	1pack (100pcs.)	Accessory; Short pin
GO	DF11	543-0502-8 00	DF11-6DS-2C	6	Wire	Female	2	2			2		-30 to 85	1pack (100pcs.)	Housing; For Discrete wire; Crimping
GO	DF11	543-0502-8 10	DF11-6DS-2C(10)	6	Wire	Female	2	2			2		-30 to 85	1pack (100pcs.)	Housing; For Discrete wire; Crimping; Insulation housing:White
GO	DF11	543-0502-8 16	DF11-6DS-2C(16)	6	Wire	Female	2	2			2		-30 to 85	1pack (100pcs.)	Housing; For Discrete wire; Crimping; Insulation housing:Blue
GO	DF11	543-0502-8 18	DF11-6DS-2C(18)	6	Wire	Female	2	2			2		-30 to 85	1pack (100pcs.)	Housing; For Discrete wire; Crimping; Insulation housing:Red
GO	DF11	543-0502-8 20	DF11-6DS-2C(20)	6	Wire	Female	2	2			2		-30 to 85	1pack (100pcs.)	Housing; For Discrete wire; Crimping; Reinforced lock
GO	DF11	543-0502-8 41	DF11-6DS-2C(41)	6	Wire	Female	2	2			2		-30 to 85	1pack (1000pcs.)	Housing; For Discrete wire; Crimping; Specified packaging
GO	DF11	543-0553-9 05	DF11-6DS-2DSA(05)	6	Board mounting	Female	2	2	7.80,8.45	Through-hole	2	Tin	-30 to 85	1pack (100pcs.)	Socket; Straight
GO	DF11	543-0553-9 06	DF11-6DS-2DSA(06)	6	Board mounting	Female	2	2	7.80,8.45	Through-hole	2	Gold	-30 to 85	1pack (100pcs.)	Socket; Straight; Changed Finish
GO	DF11	543-0786-7 05	DF11-6DS-2R24(05)	6	Wire	Female	2	2		IDC	1.5	Tin	-30 to 85	1pack (100pcs.)	Housing; For AWG#24 discrete wire
GO	DF11	543-0786-7 25	DF11-6DS-2R24(25)	6	Wire	Female	2	2		IDC	1.5	Tin	-30 to 85	140pcs. (1magazine)	Housing; For AWG#24 discrete wire; Specified packaging
														1pack	Housing; For AWG#26 discrete

GO	DF11	543-0653-3 05	DF11-6DS-2R26(05)	6	Wire	Female	2	2		IDC		1	Tin	-30 to 85	(100pcs.)	wire
GO	DF11	543-0653-3 25	DF11-6DS-2R26(25)	6	Wire	Female	2	2		IDC		1	Tin	-30 to 85	140pcs. (1magazine)	Housing: For AWG#26 discrete wire; Specified packaging
GO	DF11	543-0653-3 91	DF11-6DS-2R26(91)	6	Wire	Female	2	2		IDC		1	Tin	-30 to 85	1pack (100pcs.)	Housing: For AWG#26 discrete wire
GO	DF11	543-0700-1 00	DF11-8DEP-2A	8	Panel	Male	2	2				2	Tin	-30 to 85	1pack (100pcs.)	In-line adapter; Both ends male contacts; Pin contact
GO	DF11	543-0621-7 00	DF11-8DEP-2C	8	Panel	Male	2	2				2		-30 to 85	1pack (100pcs.)	In-line plug; Male contact; Pin contact termination
GO	DF11	543-0535-7 24	DF11-8DP-2DS(24)	8	Board mounting	Male	2	2		Through-hole		2	Tin	-30 to 85	48pcs. (1magazine)	Header; Right angle; Low insertion/extraction force; Specified packaging
GO	DF11	543-0535-7 52	DF11-8DP-2DS(52)	8	Board mounting	Male	2	2		Through-hole		2	Gold	-30 to 85	48pcs. (1magazine)	Header; Right angle; Insulation housing:Black; Specified packaging; Changed Finish
GO	DF11	543-0535-7 56	DF11-8DP-2DS(56)	8	Board mounting	Male	2	2		Through-hole		2	Gold	-30 to 85	48pcs. (1magazine)	Header; Right angle; Specified packaging; Changed Finish
GO	DF11	543-0519-0 01	DF11-8DP-2DSA(01)	8	Board mounting	Male	2	2	7.55,7.80	Through-hole		2	Gold	-30 to 85	1pack (100pcs.)	Header; Straight; Changed Finish
GO	DF11	543-0519-0 03	DF11-8DP-2DSA(03)	8	Board mounting	Male	2	2	7.55,7.80	Through-hole		2	Gold	-30 to 85	1pack (100pcs.)	Header; Straight; Changed Finish
GO	DF11	543-0519-0 08	DF11-8DP-2DSA(08)	8	Board mounting	Male	2	2	7.55,7.80	Through-hole		2	Tin	-30 to 85	1pack (100pcs.)	Header; Straight; Low insertion/extraction force; Changed Finish
GO	DF11	543-0519-0 24	DF11-8DP-2DSA(24)	8	Board mounting	Male	2	2	7.55,7.80	Through-hole		2	Tin	-30 to 85	49pcs. (1magazine)	Header; Straight; Low insertion/extraction force; Specified packaging; Changed Finish
GO	DF11	543-0519-0 38	DF11-8DP-2DSA(38)	8	Board mounting	Male	2	2	7.55,7.80	Through-hole		2	Gold	-30 to 85	1pack (100pcs.)	Header; Straight; Insulation housing:Red; Changed Finish
GO	DF11	543-0519-0 87	DF11-8DP-2DSA(87)	8	Board mounting	Male	2	2	7.55,7.80	Through-hole		2	Tin	-30 to 85	1pack (100pcs.)	Header; Straight; Insulation housing:Gray
GO	DF11	543-0587-0 57	DF11-8DP-2V(57)	8	Board mounting	Male	2	2	8.20,8.45	SMT		2	Gold	-30 to 85	1reel (500pcs.)	Header; Straight; Locating boss; Suction cap for automatic PCB mounting; Specified packaging; Changed Finish
GO	DF11	543-0611-3 05	DF11-8DP-SP1(05)	8	Jumper		2					2	Tin	-30 to 85	1pack (100pcs.)	Accessory; Short pin
GO	DF11	543-0614-1 05	DF11-8DP-SP2(05)	8	Jumper		2					2	Tin	-30 to 85	1pack (100pcs.)	Accessory; Short pin
GO	DF11	543-0503-0 00	DF11-8DS-2C	8	Wire	Female	2	2				2		-30 to 85	1pack (100pcs.)	Housing; For Discrete wire; Crimping
GO	DF11	543-0503-0 10	DF11-8DS-2C(10)	8	Wire	Female	2	2				2		-30 to 85	1pack (100pcs.)	Housing; For Discrete wire; Crimping; Insulation housing:White
GO	DF11	543-0503-0 17	DF11-8DS-2C(17)	8	Wire	Female	2	2				2		-30 to 85	1pack (100pcs.)	Housing; For Discrete wire; Crimping; Insulation housing:Gray
GO	DF11	543-0503-0 18	DF11-8DS-2C(18)	8	Wire	Female	2	2				2		-30 to 85	1pack (100pcs.)	Housing; For Discrete wire; Crimping; Insulation housing:Red
GO	DF11	543-0503-0 20	DF11-8DS-2C(20)	8	Wire	Female	2	2				2		-30 to 85	1pack (100pcs.)	Housing; For Discrete wire; Crimping; Reinforced lock

GO	DF11	543-0554-1 05	DF11-8DS-2DSA(05)	8	Board mounting	Female	2	2	7.80,8.45		Through-hole	2	Tin	-30 to 85	1pack (100pcs.)	Socket; Straight
GO	DF11	543-0554-1 06	DF11-8DS-2DSA(06)	8	Board mounting	Female	2	2	7.80,8.45		Through-hole	2	Gold	-30 to 85	1pack (100pcs.)	Socket; Straight; Changed Finish
GO	DF11	543-0554-1 56	DF11-8DS-2DSA(56)	8	Board mounting	Female	2	2	7.80,8.45		Through-hole	2		-30 to 85	1pack (100pcs.)	Socket; Straight; Changed Finish
GO	DF11	543-0787-0 25	DF11-8DS-2R24(25)	8	Wire	Female	2	2		IDC		1.5	Tin	-30 to 85	112pcs. (1magazine)	Housing; For AWG#24 discrete wire; Specified packaging
GO	DF11	543-0654-6 05	DF11-8DS-2R26(05)	8	Wire	Female	2	2		IDC		1	Tin	-30 to 85	1pack (100pcs.)	Housing; For AWG#26 discrete wire
GO	DF11	543-0654-6 25	DF11-8DS-2R26(25)	8	Wire	Female	2	2		IDC		1	Tin	-30 to 85	112pcs. (1magazine)	Housing; For AWG#26 discrete wire; Specified packaging
GO	DF11	543-0571-0 56	DF11-8DS-2V(56)	8	Board mounting	Female	2	2	7.55,8.20		SMT	2		-30 to 85	1reel (500pcs.)	Socket; Straight; Heat resisting tape; Specified packaging; Changed Finish
GO	DF11	543-0635-1 00	DF11A-2428SC		Wire	Female				Crimping		2	Tin	-30 to 85	1pack (100pcs.)	Female contact; Low insertion/extraction force; Applicable wire:AWG#24 to #28; UL1061; UL1007
GO	DF11	543-0634-9 00	DF11A-2428SCF		Wire	Female				Crimping		2	Tin	-30 to 85	1reel (10000pcs.)	Female contact; Low insertion/extraction force; Applicable wire:AWG#24 to #28; UL1061; UL1007
GO	DF11	543-0634-9 40	DF11A-2428SCF(40)		Wire	Female				Crimping		2	Tin	-30 to 85	1reel (10000pcs.)	Female contact; Low insertion/extraction force; Applicable wire:AWG#24 to #28; UL1061; UL1007; Specified packaging
GO	DF11	543-0860-8 00	DF11A-2428SCFA		Wire	Female				Crimping		2	Gold	-30 to 85	1reel (10000pcs.)	Female contact
GO	DF11	543-2100-5 20	DF11BZ-16DP-2V(20)	16	Board mounting	Male	2	2			SMT	2	Tin	-30 to 85	23pcs. (1magazine)	Header; Straight; Specified packaging
GO	DF11	543-2103-3 20	DF11BZ-22DP-2V(20)	22	Board mounting	Male	2	2			SMT	2	Tin	-30 to 85	18pcs. (1magazine)	Header; Straight; Specified packaging
GO	DF11	543-0685-0 57	DF11C-10DP-2V(57)	10	Board mounting	Male	2	2			SMT	2	Gold	-30 to 85	1reel (500pcs.)	Header; Straight; No Locating boss; Suction cap for automatic PCB mounting; Specified packaging; Changed Finish
GO	DF11	543-0686-2 57	DF11C-12DP-2V(57)	12	Board mounting	Male	2	2			SMT	2	Gold	-30 to 85	1reel (500pcs.)	Header; Straight; No Locating boss; Suction cap for automatic PCB mounting; Specified packaging; Changed Finish
GO	DF11	543-0687-5 57	DF11C-14DP-2V(57)	14	Board mounting	Male	2	2			SMT	2	Gold	-30 to 85	1reel (500pcs.)	Header; Straight; No Locating boss; Suction cap for automatic PCB mounting; Specified packaging; Changed Finish
GO	DF11	543-0688-8 57	DF11C-16DP-2V(57)	16	Board mounting	Male	2	2			SMT	2	Gold	-30 to 85	1reel (500pcs.)	Header; Straight; No Locating boss; Suction cap for automatic PCB mounting; Specified packaging; Changed Finish
GO	DF11	543-0689-0 57	DF11C-18DP-2V(57)	18	Board mounting	Male	2	2			SMT	2	Gold	-30 to 85	1reel (500pcs.)	Header; Straight; No Locating boss; Suction cap for automatic PCB mounting; Specified packaging; Changed Finish
																Header; Straight; No Locating

GO	DF11	543-0690-0 51	DF11C-20DP-2V(51)	20	Board mounting	Male	2	2			SMT	2	Gold	-30 to 85	1reel (500pcs.)	boss; Specified packaging; Changed Finish
GO	DF11	543-0690-0 57	DF11C-20DP-2V(57)	20	Board mounting	Male	2	2			SMT	2	Gold	-30 to 85	1reel (500pcs.)	Header; Straight; No Locating boss; Suction cap for automatic PCB mounting; Specified packaging; Changed Finish
GO	DF11	543-0691-2 57	DF11C-22DP-2V(57)	22	Board mounting	Male	2	2			SMT	2	Gold	-30 to 85	1reel (500pcs.)	Header; Straight; No Locating boss; Suction cap for automatic PCB mounting; Specified packaging; Changed Finish
GO	DF11	543-0692-5 57	DF11C-24DP-2V(57)	24	Board mounting	Male	2	2			SMT	2	Gold	-30 to 85	1reel (500pcs.)	Header; Straight; No Locating boss; Suction cap for automatic PCB mounting; Specified packaging; Changed Finish
GO	DF11	543-0693-8 57	DF11C-26DP-2V(57)	26	Board mounting	Male	2	2			SMT	2	Gold	-30 to 85	1reel (500pcs.)	Header; Straight; No Locating boss; Suction cap for automatic PCB mounting; Specified packaging; Changed Finish
GO	DF11	543-0694-0 57	DF11C-28DP-2V(57)	28	Board mounting	Male	2	2			SMT	2	Gold	-30 to 85	1reel (500pcs.)	Header; Straight; No Locating boss; Suction cap for automatic PCB mounting; Specified packaging; Changed Finish
GO	DF11	543-0695-3 57	DF11C-30DP-2V(57)	30	Board mounting	Male	2	2			SMT	2	Gold	-30 to 85	1reel (500pcs.)	Header; Straight; No Locating boss; Suction cap for automatic PCB mounting; Specified packaging; Changed Finish
GO	DF11	543-0696-6 57	DF11C-32DP-2V(57)	32	Board mounting	Male	2	2			SMT	2	Gold	-30 to 85	1reel (500pcs.)	Header; Straight; No Locating boss; Suction cap for automatic PCB mounting; Specified packaging; Changed Finish
GO	DF11	543-0697-9 57	DF11C-40DP-2V(57)	40	Board mounting	Male	2	2			SMT	2	Gold	-30 to 85	1reel (500pcs.)	Header; Straight; No Locating boss; Suction cap for automatic PCB mounting; Specified packaging; Changed Finish
GO	DF11	543-0682-1 57	DF11C-4DP-2V(57)	4	Board mounting	Male	2	2			SMT	2	Gold	-30 to 85	1reel (500pcs.)	Header; Straight; No Locating boss; Suction cap for automatic PCB mounting; Specified packaging; Changed Finish
GO	DF11	543-0683-4 57	DF11C-6DP-2V(57)	6	Board mounting	Male	2	2			SMT	2	Gold	-30 to 85	1reel (500pcs.)	Header; Straight; No Locating boss; Suction cap for automatic PCB mounting; Specified packaging; Changed Finish
GO	DF11	543-0684-7 57	DF11C-8DP-2V(57)	8	Board mounting	Male	2	2			SMT	2	Gold	-30 to 85	1reel (500pcs.)	Header; Straight; No Locating boss; Suction cap for automatic PCB mounting; Specified packaging; Changed Finish
GO	DF11	543-2050-9 21	DF11CZ-10DP-2V(21)	10	Board mounting	Male	2	2			SMT	2	Tin	-30 to 85	1reel (500pcs.)	Header; Straight; No Locating boss; Specified packaging
GO	DF11	543-2050-9 27	DF11CZ-10DP-2V(27)	10	Board mounting	Male	2	2			SMT	2	Tin	-30 to 85	1reel (500pcs.)	Header; Straight; No Locating boss; Suction cap for automatic PCB mounting; Specified packaging
GO	DF11	543-2066-9 22	DF11CZ-10DS-2V(22)	10	Board mounting	Female	2	2			SMT	2	Tin	-30 to 85	1reel (500pcs.)	Socket; Straight; No Locating boss; Heat resisting tape; Specified packaging; Changed

																Finish
GO	DF11	543-2066-9 52	DF11CZ-10DS-2V(52)	10	Board mounting	Female	2	2			SMT	2	Gold	-30 to 85	1reel (500pcs.)	Socket; Straight; No Locating boss; Heat resisting tape; Specified packaging; Changed Finish
GO	DF11	543-2051-1 27	DF11CZ-12DP-2V(27)	12	Board mounting	Male	2	2			SMT	2	Tin	-30 to 85	1reel (500pcs.)	Header; Straight; No Locating boss; Suction cap for automatic PCB mounting; Specified packaging
GO	DF11	543-2052-4 27	DF11CZ-14DP-2V(27)	14	Board mounting	Male	2	2			SMT	2	Tin	-30 to 85	1reel (500pcs.)	Header; Straight; No Locating boss; Suction cap for automatic PCB mounting; Specified packaging
GO	DF11	543-2053-7 21	DF11CZ-16DP-2V(21)	16	Board mounting	Male	2	2			SMT	2	Tin	-30 to 85	1reel (500pcs.)	Header; Straight; No Locating boss; Specified packaging
GO	DF11	543-2053-7 27	DF11CZ-16DP-2V(27)	16	Board mounting	Male	2	2			SMT	2	Tin	-30 to 85	1reel (500pcs.)	Header; Straight; No Locating boss; Suction cap for automatic PCB mounting; Specified packaging
GO	DF11	543-2054-0 21	DF11CZ-18DP-2V(21)	18	Board mounting	Male	2	2			SMT	2	Tin	-30 to 85	1reel (500pcs.)	Header; Straight; No Locating boss; Specified packaging
GO	DF11	543-2054-0 27	DF11CZ-18DP-2V(27)	18	Board mounting	Male	2	2			SMT	2	Tin	-30 to 85	1reel (500pcs.)	Header; Straight; No Locating boss; Suction cap for automatic PCB mounting; Specified packaging
GO	DF11	543-2070-6 22	DF11CZ-18DS-2V(22)	18	Board mounting	Female	2	2			SMT	2	Tin	-30 to 85	1reel (500pcs.)	Socket; Straight; No Locating boss; Heat resisting tape; Specified packaging; Changed Finish
GO	DF11	543-2070-6 52	DF11CZ-18DS-2V(52)	18	Board mounting	Female	2	2			SMT	2	Gold	-30 to 85	1reel (500pcs.)	Socket; Straight; No Locating boss; Heat resisting tape; Specified packaging; Changed Finish
GO	DF11	543-2055-2 20	DF11CZ-20DP-2V(20)	20	Board mounting	Male	2	2			SMT	2	Tin	-30 to 85	17pcs. (1magazine)	Header; Straight; No Locating boss; Specified packaging
GO	DF11	543-2055-2 21	DF11CZ-20DP-2V(21)	20	Board mounting	Male	2	2			SMT	2	Tin	-30 to 85	1reel (500pcs.)	Header; Straight; No Locating boss; Specified packaging
GO	DF11	543-2055-2 27	DF11CZ-20DP-2V(27)	20	Board mounting	Male	2	2			SMT	2	Tin	-30 to 85	1reel (500pcs.)	Header; Straight; No Locating boss; Suction cap for automatic PCB mounting; Specified packaging
GO	DF11	543-2071-9 22	DF11CZ-20DS-2V(22)	20	Board mounting	Female	2	2			SMT	2	Tin	-30 to 85	1reel (500pcs.)	Socket; Straight; No Locating boss; Heat resisting tape; Specified packaging; Changed Finish
GO	DF11	543-2071-9 52	DF11CZ-20DS-2V(52)	20			2	2				2	Gold	-30 to 85	1reel (500pcs.)	
GO	DF11	543-2056-5 20	DF11CZ-22DP-2V(20)	22	Board mounting	Male	2	2			SMT	2	Tin	-30 to 85	16pcs. (1magazine)	Header; Straight; No Locating boss; Specified packaging
GO	DF11	543-2056-5 27	DF11CZ-22DP-2V(27)	22	Board mounting	Male	2	2			SMT	2	Tin	-30 to 85	1reel (500pcs.)	Header; Straight; No Locating boss; Suction cap for automatic PCB mounting; Specified packaging
					Board										1reel	Socket; Straight; No Locating boss; Heat resisting tape;

GO	DF11	543-2072-1 22	DF11CZ-22DS-2V(22)	22	mounting	Female	2	2			SMT	2	Tin	-30 to 85	(500pcs.)	Specified packaging; Changed Finish
GO	DF11	543-2072-1 23	DF11CZ-22DS-2V(23)	22	Board mounting	Female	2	2			SMT	2	Tin	-30 to 85	1reel (500pcs.)	Socket; Straight; No Locating boss; Heat resisting tape; Specified packaging; Changed Finish
GO	DF11	543-2072-1 52	DF11CZ-22DS-2V(52)	22	Board mounting	Female	2	2			SMT	2	Gold	-30 to 85	1reel (500pcs.)	Socket; Straight; No Locating boss; Heat resisting tape; Specified packaging; Changed Finish
GO	DF11	543-2057-8 27	DF11CZ-24DP-2V(27)	24	Board mounting	Male	2	2			SMT	2	Tin	-30 to 85	1reel (500pcs.)	Header; Straight; No Locating boss; Suction cap for automatic PCB mounting; Specified packaging
GO	DF11	543-2058-0 21	DF11CZ-26DP-2V(21)	26	Board mounting	Male	2	2			SMT	2	Tin	-30 to 85	1reel (500pcs.)	Header; Straight; No Locating boss; Specified packaging
GO	DF11	543-2058-0 27	DF11CZ-26DP-2V(27)	26	Board mounting	Male	2	2			SMT	2	Tin	-30 to 85	1reel (500pcs.)	Header; Straight; No Locating boss; Suction cap for automatic PCB mounting; Specified packaging
GO	DF11	543-2074-7 22	DF11CZ-26DS-2V(22)	26			2	2				2	Tin	-30 to 85	1reel (500pcs.)	
GO	DF11	543-2059-3 21	DF11CZ-28DP-2V(21)	28	Board mounting	Male	2	2			SMT	2	Tin	-30 to 85	1reel (500pcs.)	Header; Straight; No Locating boss; Specified packaging
GO	DF11	543-2059-3 27	DF11CZ-28DP-2V(27)	28	Board mounting	Male	2	2			SMT	2	Tin	-30 to 85	1reel (500pcs.)	Header; Straight; No Locating boss; Suction cap for automatic PCB mounting; Specified packaging
GO	DF11	543-2060-2 21	DF11CZ-30DP-2V(21)	30	Board mounting	Male	2	2			SMT	2	Tin	-30 to 85	1reel (500pcs.)	Header; Straight; No Locating boss; Specified packaging
GO	DF11	543-2060-2 27	DF11CZ-30DP-2V(27)	30	Board mounting	Male	2	2			SMT	2	Tin	-30 to 85	1reel (500pcs.)	Header; Straight; No Locating boss; Suction cap for automatic PCB mounting; Specified packaging
GO	DF11	543-2060-2 28	DF11CZ-30DP-2V(28)	30	Board mounting	Male	2	2			SMT	2	Tin	-30 to 85	1reel (500pcs.)	Header; Straight; No Locating boss; Suction cap for automatic PCB mounting; Specified packaging
GO	DF11	543-2076-2 22	DF11CZ-30DS-2V(22)	30	Board mounting	Female	2	2			SMT	2	Tin	-30 to 85	1reel (500pcs.)	Socket; Straight; No Locating boss; Heat resisting tape; Specified packaging; Changed Finish
GO	DF11	543-2076-2 23	DF11CZ-30DS-2V(23)	30	Board mounting	Female	2	2			SMT	2	Tin	-30 to 85	1reel (500pcs.)	Socket; Straight; No Locating boss; Heat resisting tape; Specified packaging
GO	DF11	543-2076-2 52	DF11CZ-30DS-2V(52)	30	Board mounting	Female	2	2			SMT	2	Gold	-30 to 85	1reel (500pcs.)	Socket; Straight; No Locating boss; Heat resisting tape; Specified packaging; Changed Finish
GO	DF11	543-2061-5 27	DF11CZ-32DP-2V(27)	32	Board mounting	Male	2	2			SMT	2	Tin	-30 to 85	1reel (500pcs.)	Header; Straight; No Locating boss; Suction cap for automatic PCB mounting; Specified packaging
					Board										1reel	Header; Straight; No Locating boss; Suction cap for automatic

GO	DF11	543-2062-8 27	DF11CZ-40DP-2V(27)	40	mounting	Male	2	2			SMT	2	Tin	-30 to 85	(500pcs.)	PCB mounting; Specified packaging
GO	DF11	543-2078-8 22	DF11CZ-40DS-2V(22)	40	Board mounting	Female	2	2			SMT	2	Tin	-30 to 85	1reel (500pcs.)	Socket; Straight; No Locating boss; Heat resisting tape; Specified packaging; Changed Finish
GO	DF11	543-2078-8 23	DF11CZ-40DS-2V(23)	40	Board mounting	Female	2	2			SMT	2	Tin	-30 to 85	1reel (500pcs.)	Socket; Straight; No Locating boss; Heat resisting tape; Specified packaging; Changed Finish
GO	DF11	543-2078-8 52	DF11CZ-40DS-2V(52)	40	Board mounting	Female	2	2			SMT	2	Gold	-30 to 85	1reel (500pcs.)	Socket; Straight; No Locating boss; Heat resisting tape; Specified packaging; Changed Finish
GO	DF11	543-2047-4 21	DF11CZ-4DP-2V(21)	4	Board mounting	Male	2	2			SMT	2	Tin	-30 to 85	1reel (500pcs.)	Header; Straight; No Locating boss; Specified packaging
GO	DF11	543-2047-4 27	DF11CZ-4DP-2V(27)	4	Board mounting	Male	2	2			SMT	2	Tin	-30 to 85	1reel (500pcs.)	Header; Straight; No Locating boss; Suction cap for automatic PCB mounting; Specified packaging
GO	DF11	543-2063-0 20	DF11CZ-4DS-2V(20)	4	Board mounting	Female	2	2			SMT	2	Tin	-30 to 85	41pcs. (1magazine)	Socket; Straight; No Locating boss; Specified packaging
GO	DF11	543-2063-0 22	DF11CZ-4DS-2V(22)	4	Board mounting	Female	2	2			SMT	2	Tin	-30 to 85	1reel (500pcs.)	Socket; Straight; No Locating boss; Heat resisting tape; Specified packaging; Changed Finish
GO	DF11	543-2063-0 52	DF11CZ-4DS-2V(52)	4	Board mounting	Female	2	2			SMT	2	Gold	-30 to 85	1reel (500pcs.)	Socket; Straight; No Locating boss; Heat resisting tape; Specified packaging; Changed Finish
GO	DF11	543-2048-7 20	DF11CZ-6DP-2V(20)	6	Board mounting	Male	2	2			SMT	2	Tin	-30 to 85	35pcs. (1magazine)	Header; Straight; No Locating boss; Specified packaging
GO	DF11	543-2048-7 21	DF11CZ-6DP-2V(21)	6	Board mounting	Male	2	2			SMT	2	Tin	-30 to 85	1reel (500pcs.)	Header; Straight; No Locating boss; Specified packaging
GO	DF11	543-2048-7 27	DF11CZ-6DP-2V(27)	6	Board mounting	Male	2	2			SMT	2	Tin	-30 to 85	1reel (500pcs.)	Header; Straight; No Locating boss; Suction cap for automatic PCB mounting; Specified packaging
GO	DF11	543-2064-3 22	DF11CZ-6DS-2V(22)	6	Board mounting	Female	2	2			SMT	2	Tin	-30 to 85	1reel (500pcs.)	Socket; Straight; No Locating boss; Heat resisting tape; Specified packaging; Changed Finish
GO	DF11	543-2064-3 52	DF11CZ-6DS-2V(52)	6	Board mounting	Female	2	2			SMT	2	Gold	-30 to 85	1reel (500pcs.)	Socket; Straight; No Locating boss; Heat resisting tape; Specified packaging; Changed Finish
GO	DF11	543-2049-0 27	DF11CZ-8DP-2V(27)	8	Board mounting	Male	2	2			SMT	2	Tin	-30 to 85	1reel (500pcs.)	Header; Straight; No Locating boss; Suction cap for automatic PCB mounting; Specified packaging
GO	DF11	543-2065-6 22	DF11CZ-8DS-2V(22)	8	Board mounting	Female	2	2			SMT	2	Tin	-30 to 85	1reel (500pcs.)	Socket; Straight; No Locating boss; Heat resisting tape; Specified packaging; Changed Finish
																Socket; Straight; No Locating

GO	DF11	543-2065-6 52	DF11CZ-8DS-2V(52)	8	Board mounting	Female	2	2			SMT	2	Gold	-30 to 85	1reel (500pcs.)	boss; Heat resisting tape; Specified packaging; Changed Finish
GO	DF11	543-0754-0 00	DF11E-10DP-2DSA	10	Board mounting	Male	2	2			Through-hole	2	Tin	-30 to 85	1pack (100pcs.)	Header; Straight; Reinforced scoop prevention
GO	DF11	543-0754-0 20	DF11E-10DP-2DSA(20)	10	Board mounting	Male	2	2			Through-hole	2	Tin	-30 to 85	40pcs. (1magazine)	Header; Straight; Reinforced scoop prevention; Specified packaging
GO	DF11	543-0755-3 00	DF11E-12DP-2DSA	12	Board mounting	Male	2	2			Through-hole	2	Tin	-30 to 85	1pack (100pcs.)	Header; Straight; Reinforced scoop prevention
GO	DF11	543-0755-3 10	DF11E-12DP-2DSA(10)	12	Board mounting	Male	2	2			Through-hole	2	Tin	-30 to 85	1pack (100pcs.)	Header; Straight; Reinforced scoop prevention; Insulation housing:White
GO	DF11	543-0755-3 20	DF11E-12DP-2DSA(20)	12	Board mounting	Male	2	2			Through-hole	2	Tin	-30 to 85	34pcs. (1magazine)	Header; Straight; Reinforced scoop prevention; Specified packaging
GO	DF11	543-0756-6 00	DF11E-14DP-2DSA	14	Board mounting	Male	2	2			Through-hole	2	Tin	-30 to 85	1pack (100pcs.)	Header; Straight; Reinforced scoop prevention
GO	DF11	543-0756-6 20	DF11E-14DP-2DSA(20)	14	Board mounting	Male	2	2			Through-hole	2	Tin	-30 to 85	30pcs. (1magazine)	Header; Straight; Reinforced scoop prevention; Specified packaging
GO	DF11	543-0757-9 00	DF11E-16DP-2DSA	16	Board mounting	Male	2	2			Through-hole	2	Tin	-30 to 85	1pack (100pcs.)	Header; Straight; Reinforced scoop prevention
GO	DF11	543-0757-9 10	DF11E-16DP-2DSA(10)	16	Board mounting	Male	2	2			Through-hole	2	Tin	-30 to 85	1pack (100pcs.)	Header; Straight; Reinforced scoop prevention; Insulation housing:White
GO	DF11	543-0757-9 20	DF11E-16DP-2DSA(20)	16	Board mounting	Male	2	2			Through-hole	2	Tin	-30 to 85	27pcs. (1magazine)	Header; Straight; Reinforced scoop prevention; Specified packaging
GO	DF11	543-0758-1 00	DF11E-18DP-2DSA	18	Board mounting	Male	2	2			Through-hole	2	Tin	-30 to 85	1pack (100pcs.)	Header; Straight; Reinforced scoop prevention
GO	DF11	543-0758-1 20	DF11E-18DP-2DSA(20)	18	Board mounting	Male	2	2			Through-hole	2	Tin	-30 to 85	24pcs. (1magazine)	Header; Straight; Reinforced scoop prevention; Specified packaging
GO	DF11	543-0759-4 00	DF11E-20DP-2DSA	20	Board mounting	Male	2	2			Through-hole	2	Tin	-30 to 85	1pack (100pcs.)	Header; Straight; Reinforced scoop prevention
GO	DF11	543-0759-4 10	DF11E-20DP-2DSA(10)	20	Board mounting	Male	2	2			Through-hole	2	Tin	-30 to 85	1pack (100pcs.)	Header; Straight; Reinforced scoop prevention; Insulation housing:White
GO	DF11	543-0759-4 20	DF11E-20DP-2DSA(20)	20	Board mounting	Male	2	2			Through-hole	2	Tin	-30 to 85	22pcs. (1magazine)	Header; Straight; Reinforced scoop prevention; Specified packaging
GO	DF11	543-0760-3 00	DF11E-22DP-2DSA	22	Board mounting	Male	2	2			Through-hole	2	Tin	-30 to 85	1pack (100pcs.)	Header; Straight; Reinforced scoop prevention
GO	DF11	543-0760-3 14	DF11E-22DP-2DSA(14)	22	Board mounting	Male	2	2			Through-hole	2	Tin	-30 to 85	1pack (100pcs.)	Header; Straight; Reinforced scoop prevention; Insulation housing:Yellow
GO	DF11	543-0760-3 20	DF11E-22DP-2DSA(20)	22	Board mounting	Male	2	2			Through-hole	2	Tin	-30 to 85	20pcs. (1magazine)	Header; Straight; Reinforced scoop prevention; Specified packaging
GO	DF11	543-0761-6 00	DF11E-24DP-2DSA	24	Board mounting	Male	2	2			Through-hole	2	Tin	-30 to 85	1pack (100pcs.)	Header; Straight; Reinforced scoop prevention
GO	DF11	543-0761-6 20	DF11E-24DP-2DSA(20)	24	Board mounting	Male	2	2			Through-hole	2	Tin	-30 to 85	18pcs. (1magazine)	Header; Straight; Reinforced scoop prevention; Specified

																packaging
GO	DF11	543-0762-9 00	DF11E-26DP-2DSA	26	Board mounting	Male	2	2			Through-hole	2	Tin	-30 to 85	1pack (100pcs.)	Header; Straight; Reinforced scoop prevention
GO	DF11	543-0762-9 20	DF11E-26DP-2DSA(20)	26	Board mounting	Male	2	2			Through-hole	2	Tin	-30 to 85	17pcs. (1magazine)	Header; Straight; Reinforced scoop prevention; Specified packaging
GO	DF11	543-0763-1 00	DF11E-28DP-2DSA	28	Board mounting	Male	2	2			Through-hole	2	Tin	-30 to 85	1pack (100pcs.)	Header; Straight; Reinforced scoop prevention
GO	DF11	543-0763-1 20	DF11E-28DP-2DSA(20)	28	Board mounting	Male	2	2			Through-hole	2	Tin	-30 to 85	16pcs. (1magazine)	Header; Straight; Reinforced scoop prevention; Specified packaging
GO	DF11	543-0764-4 00	DF11E-30DP-2DSA	30	Board mounting	Male	2	2			Through-hole	2	Tin	-30 to 85	1pack (100pcs.)	Header; Straight; Reinforced scoop prevention
GO	DF11	543-0764-4 20	DF11E-30DP-2DSA(20)	30	Board mounting	Male	2	2			Through-hole	2	Tin	-30 to 85	15pcs. (1magazine)	Header; Straight; Reinforced scoop prevention; Specified packaging
GO	DF11	543-0765-7 00	DF11E-32DP-2DSA	32	Board mounting	Male	2	2			Through-hole	2	Tin	-30 to 85	1pack (100pcs.)	Header; Straight; Reinforced scoop prevention
GO	DF11	543-0765-7 20	DF11E-32DP-2DSA(20)	32	Board mounting	Male	2	2			Through-hole	2	Tin	-30 to 85	14pcs. (1magazine)	Header; Straight; Reinforced scoop prevention; Specified packaging
GO	DF11	543-0751-2 00	DF11E-4DP-2DSA	4	Board mounting	Male	2	2			Through-hole	2	Tin	-30 to 85	1pack (100pcs.)	Header; Straight; Reinforced scoop prevention
GO	DF11	543-0751-2 20	DF11E-4DP-2DSA(20)	4	Board mounting	Male	2	2			Through-hole	2	Tin	-30 to 85	81pcs. (1magazine)	Header; Straight; Reinforced scoop prevention; Specified packaging
GO	DF11	543-0752-5 00	DF11E-6DP-2DSA	6	Board mounting	Male	2	2			Through-hole	2	Tin	-30 to 85	1pack (100pcs.)	Header; Straight; Reinforced scoop prevention
GO	DF11	543-0752-5 20	DF11E-6DP-2DSA(20)	6	Board mounting	Male	2	2			Through-hole	2	Tin	-30 to 85	61pcs. (1magazine)	Header; Straight; Reinforced scoop prevention; Specified packaging
GO	DF11	543-0753-8 00	DF11E-8DP-2DSA	8	Board mounting	Male	2	2			Through-hole	2	Tin	-30 to 85	1pack (100pcs.)	Header; Straight; Reinforced scoop prevention
GO	DF11	543-0753-8 20	DF11E-8DP-2DSA(20)	8	Board mounting	Male	2	2			Through-hole	2	Tin	-30 to 85	49pcs. (1magazine)	Header; Straight; Reinforced scoop prevention; Specified packaging
GO	DF11	543-0747-5 00	DF11-EP22PCF		Wire	Male				Crimping		3	Tin	-30 to 85	1reel (10000pcs.)	Male contact; Crimping contact for in-line plug; Applicable wire:AWG#22
GO	DF11	543-0616-7 00	DF11-EP2428PC		Wire	Male				Crimping		2	Tin	-30 to 85	1pack (100pcs.)	Male contact; Crimping contact for in-line plug; Applicable wire:AWG#24 to #28; Loose piece contact
GO	DF11	543-0618-2 00	DF11-EP2428PCA		Wire	Male				Crimping		2	Gold	-30 to 85	1pack (100pcs.)	Male contact; Crimping contact for in-line plug; Applicable wire:AWG#24 to #28; Loose piece contact
GO	DF11	543-0615-4 00	DF11-EP2428PCF		Wire	Male				Crimping		2	Tin	-30 to 85	1reel (10000pcs.)	Male contact; Crimping contact for in-line plug; Applicable wire:AWG#24 to #28
GO	DF11	543-0617-0 00	DF11-EP2428PCFA		Wire	Male				Crimping		2	Gold	-30 to 85	1reel (10000pcs.)	Male contact; Crimping contact for in-line plug; Applicable wire:AWG#24 to #28
					Board										14pcs.	Header; Straight; Metal

GO	DF11	543-2131-9 20	DF11FZ-26DP-2V(20)	26	mounting	Male	2	2			SMT	2	Tin	-30 to 85	(1magazine)	holddown; Locating boss; Specified packaging
GO	DF11	543-2134-7 20	DF11FZ-32DP-2V(20)	32	Board mounting	Male	2	2			SMT	2	Tin	-30 to 85	12pcs. (1magazine)	Header; Straight; Metal holddown; Locating boss; Specified packaging
GO	DF11	543-0813-8 50	DF11G-10DP-2V(50)	10	Board mounting	Male	2	2	8.20,8.45		SMT	2	Gold	-30 to 85	27pcs. (1magazine)	Header; Straight; Prevention against metal holddown deformation; Metal holddown; Locating boss; Specified packaging; Changed Finish
GO	DF11	543-0814-0 50	DF11G-12DP-2V(50)	12	Board mounting	Male	2	2	8.20,8.45		SMT	2	Gold	-30 to 85	24pcs. (1magazine)	Header; Straight; Prevention against metal holddown deformation; Metal holddown; Locating boss; Specified packaging; Changed Finish
GO	DF11	543-0815-3 50	DF11G-14DP-2V(50)	14	Board mounting	Male	2	2	8.20,8.45		SMT	2	Gold	-30 to 85	22pcs. (1magazine)	Header; Straight; Prevention against metal holddown deformation; Metal holddown; Locating boss; Specified packaging; Changed Finish
GO	DF11	543-0816-6 50	DF11G-16DP-2V(50)	16	Board mounting	Male	2	2	8.20,8.45		SMT	2	Gold	-30 to 85	20pcs. (1magazine)	Header; Straight; Prevention against metal holddown deformation; Metal holddown; Locating boss; Specified packaging; Changed Finish
GO	DF11	543-0816-6 58	DF11G-16DP-2V(58)	15	Board mounting	Male	2	2	8.20,8.45		SMT	2	Gold	-30 to 85	20pcs. (1magazine)	Header; Straight; Prevention against metal holddown deformation; Metal holddown; Locating boss; Contact number 10 not equipped; Specified packaging; Changed Finish
GO	DF11	543-0817-9 50	DF11G-18DP-2V(50)	18	Board mounting	Male	2	2	8.20,8.45		SMT	2	Gold	-30 to 85	18pcs. (1magazine)	Header; Straight; Prevention against metal holddown deformation; Metal holddown; Locating boss; Specified packaging; Changed Finish
GO	DF11	543-0818-1 50	DF11G-20DP-2V(50)	20	Board mounting	Male	2	2	8.20,8.45		SMT	2	Gold	-30 to 85	17pcs. (1magazine)	Header; Straight; Prevention against metal holddown deformation; Metal holddown; Locating boss; Specified packaging; Changed Finish
GO	DF11	543-0819-4 50	DF11G-22DP-2V(50)	22	Board mounting	Male	2	2	8.20,8.45		SMT	2	Gold	-30 to 85	16pcs. (1magazine)	Header; Straight; Prevention against metal holddown deformation; Metal holddown; Locating boss; Specified packaging; Changed Finish
GO	DF11	543-0820-3 50	DF11G-24DP-2V(50)	24	Board mounting	Male	2	2	8.20,8.45		SMT	2	Gold	-30 to 85	15pcs. (1magazine)	Header; Straight; Prevention against metal holddown deformation; Metal holddown; Locating boss; Specified packaging; Changed Finish
GO	DF11	543-0821-6 50	DF11G-26DP-2V(50)	26	Board mounting	Male	2	2	8.20,8.45		SMT	2	Gold	-30 to 85	14pcs. (1magazine)	Header; Straight; Prevention against metal holddown deformation; Metal holddown; Locating boss; Specified packaging; Changed Finish

GO	DF11	543-0822-9 50	DF11G-28DP-2V(50)	28	Board mounting	Male	2	2	8.20,8.45		SMT	2	Gold	-30 to 85	13pcs. (1magazine)	Header; Straight; Prevention against metal holddown deformation; Metal holddown; Locating boss; Specified packaging; Changed Finish
GO	DF11	543-0823-1 50	DF11G-30DP-2V(50)	30	Board mounting	Male	2	2	8.20,8.45		SMT	2	Gold	-30 to 85	12pcs. (1magazine)	Header; Straight; Prevention against metal holddown deformation; Metal holddown; Locating boss; Specified packaging; Changed Finish
GO	DF11	543-0824-4 50	DF11G-32DP-2V(50)	32	Board mounting	Male	2	2	8.20,8.45		SMT	2	Gold	-30 to 85	12pcs. (1magazine)	Header; Straight; Prevention against metal holddown deformation; Metal holddown; Locating boss; Specified packaging; Changed Finish
GO	DF11	543-0825-7 50	DF11G-40DP-2V(50)	40	Board mounting	Male	2	2	8.20,8.45		SMT	2	Gold	-30 to 85	10pcs. (1magazine)	Header; Straight; Prevention against metal holddown deformation; Metal holddown; Locating boss; Specified packaging; Changed Finish
GO	DF11	543-0810-0 50	DF11G-4DP-2V(50)	4	Board mounting	Male	2	2	8.20,8.45		SMT	2	Gold	-30 to 85	41pcs. (1magazine)	Header; Straight; Prevention against metal holddown deformation; Metal holddown; Locating boss; Specified packaging; Changed Finish
GO	DF11	543-0811-2 50	DF11G-6DP-2V(50)	6	Board mounting	Male	2	2	8.20,8.45		SMT	2	Gold	-30 to 85	35pcs. (1magazine)	Header; Straight; Prevention against metal holddown deformation; Metal holddown; Locating boss; Specified packaging; Changed Finish
GO	DF11	543-0812-5 50	DF11G-8DP-2V(50)	8	Board mounting	Male	2	2	8.20,8.45		SMT	2	Gold	-30 to 85	30pcs. (1magazine)	Header; Straight; Prevention against metal holddown deformation; Metal holddown; Locating boss; Specified packaging; Changed Finish
GO	DF11	543-2138-8 20	DF11GZ-10DP-2V(20)	10	Board mounting	Male	2	2			SMT	2	Tin	-30 to 85	27pcs. (1magazine)	Header; Straight; Prevention against metal holddown deformation; Metal holddown; Locating boss; Specified packaging
GO	DF11	543-2139-0 20	DF11GZ-12DP-2V(20)	12	Board mounting	Male	2	2			SMT	2	Tin	-30 to 85	24pcs. (1magazine)	Header; Straight; Prevention against metal holddown deformation; Metal holddown; Locating boss; Specified packaging
GO	DF11	543-2140-0 20	DF11GZ-14DP-2V(20)	14	Board mounting	Male	2	2			SMT	2	Tin	-30 to 85	22pcs. (1magazine)	Header; Straight; Prevention against metal holddown deformation; Metal holddown; Locating boss; Specified packaging
GO	DF11	543-2141-2 20	DF11GZ-16DP-2V(20)	16	Board mounting	Male	2	2			SMT	2	Tin	-30 to 85	20pcs. (1magazine)	Header; Straight; Prevention against metal holddown deformation; Metal holddown; Locating boss; Specified packaging
																Header; Straight; Prevention

GO	DF11	543-2142-5 20	DF11GZ-18DP-2V(20)	18	Board mounting	Male	2	2				SMT	2	Tin	-30 to 85	18pcs. (1magazine)	against metal holddown deformation; Metal holddown; Locating boss; Specified packaging
GO	DF11	543-2143-8 20	DF11GZ-20DP-2V(20)	20	Board mounting	Male	2	2				SMT	2	Tin	-30 to 85	17pcs. (1magazine)	Header; Straight; Prevention against metal holddown deformation; Metal holddown; Locating boss; Specified packaging
GO	DF11	543-2144-0 20	DF11GZ-22DP-2V(20)	22	Board mounting	Male	2	2				SMT	2	Tin	-30 to 85	16pcs. (1magazine)	Header; Straight; Prevention against metal holddown deformation; Metal holddown; Locating boss; Specified packaging
GO	DF11	543-2145-3 20	DF11GZ-24DP-2V(20)	24	Board mounting	Male	2	2				SMT	2	Tin	-30 to 85	15pcs. (1magazine)	Header; Straight; Prevention against metal holddown deformation; Metal holddown; Locating boss; Specified packaging
GO	DF11	543-2146-6 20	DF11GZ-26DP-2V(20)	26	Board mounting	Male	2	2				SMT	2	Tin	-30 to 85	14pcs. (1magazine)	Header; Straight; Prevention against metal holddown deformation; Metal holddown; Locating boss; Specified packaging
GO	DF11	543-2147-9 20	DF11GZ-28DP-2V(20)	28	Board mounting	Male	2	2				SMT	2	Tin	-30 to 85	13pcs. (1magazine)	Header; Straight; Prevention against metal holddown deformation; Metal holddown; Locating boss; Specified packaging
GO	DF11	543-2148-1 20	DF11GZ-30DP-2V(20)	30	Board mounting	Male	2	2				SMT	2	Tin	-30 to 85	12pcs. (1magazine)	Header; Straight; Prevention against metal holddown deformation; Metal holddown; Locating boss; Specified packaging
GO	DF11	543-2149-4 20	DF11GZ-32DP-2V(20)	32	Board mounting	Male	2	2				SMT	2	Tin	-30 to 85	12pcs. (1magazine)	Header; Straight; Prevention against metal holddown deformation; Metal holddown; Locating boss; Specified packaging
GO	DF11	543-2150-3 20	DF11GZ-40DP-2V(20)	40	Board mounting	Male	2	2				SMT	2	Tin	-30 to 85	10pcs. (1magazine)	Header; Straight; Prevention against metal holddown deformation; Metal holddown; Locating boss; Specified packaging
GO	DF11	543-2135-0 20	DF11GZ-4DP-2V(20)	4	Board mounting	Male	2	2				SMT	2	Tin	-30 to 85	41pcs. (1magazine)	Header; Straight; Prevention against metal holddown deformation; Metal holddown; Locating boss; Specified packaging
GO	DF11	543-2136-2 20	DF11GZ-6DP-2V(20)	6	Board mounting	Male	2	2				SMT	2	Tin	-30 to 85	35pcs. (1magazine)	Header; Straight; Prevention against metal holddown deformation; Metal holddown; Locating boss; Specified packaging
																	Header; Straight; Prevention against metal holddown

GO	DF11	543-2137-5 20	DF11GZ-8DP-2V(20)	8	Board mounting	Male	2	2			SMT	2	Tin	-30 to 85	30pcs. (1magazine)	deformation; Metal holddown; Locating boss; Specified packaging
GO	DF11	543-0842-6 00	DF11H-32DS-2C	32	Wire	Female	2	2				2		-30 to 85	1pack (100pcs.)	Housing; For Discrete wire; Crimping
GO	DF11	543-0842-6 10	DF11H-32DS-2C(10)	32	Wire	Female	2	2				2		-30 to 85	1pack (100pcs.)	Housing; For Discrete wire; Crimping; Insulation housing; White; Reverse insertion prevention key
GO	DF11	543-2152-9 20	DF11JZ-18DP-2V(20)	18	Board mounting	Male	2	2			SMT	2	Tin	-30 to 85	18pcs. (1magazine)	Header; Straight; Metal holddown; No Locating boss; Prevention against metal holddown deformation; Specified packaging
GO	DF11	543-2153-1 20	DF11JZ-20DP-2V(20)	20	Board mounting	Male	2	2			SMT	2	Tin	-30 to 85	17pcs. (1magazine)	Header; Straight; Metal holddown; No Locating boss; Prevention against metal holddown deformation; Specified packaging
GO	DF11	543-2154-4 20	DF11JZ-22DP-2V(20)	22	Board mounting	Male	2	2			SMT	2	Tin	-30 to 85	16pcs. (1magazine)	Header; Straight; Metal holddown; No Locating boss; Prevention against metal holddown deformation; Specified packaging
GO	DF11	543-2151-6 20	DF11JZ-6DP-2V(20)	6	Board mounting	Male	2	2			SMT	2	Tin	-30 to 85	35pcs. (1magazine)	Header; Straight; Metal holddown; No Locating boss; Prevention against metal holddown deformation; Specified packaging
GO	DF11	543-2020-8 21	DF11Z-10DP-2V(21)	10	Board mounting	Male	2	2			SMT	2	Tin	-30 to 85	1reel (500pcs.)	Header; Straight; Locating boss; Specified packaging
GO	DF11	543-2020-8 27	DF11Z-10DP-2V(27)	10	Board mounting	Male	2	2			SMT	2	Tin	-30 to 85	1reel (500pcs.)	Header; Straight; Locating boss; Suction cap for automatic PCB mounting; Specified packaging
GO	DF11	543-2004-1 20	DF11Z-10DS-2V(20)	10	Board mounting	Female	2	2			SMT	2	Tin	-30 to 85	27pcs. (1magazine)	Socket; Straight; Specified packaging
GO	DF11	543-2004-1 22	DF11Z-10DS-2V(22)	10	Board mounting	Female	2	2			SMT	2	Tin	-30 to 85	1reel (500pcs.)	Socket; Straight; Heat resisting tape; Specified packaging; Changed Finish
GO	DF11	543-2004-1 50	DF11Z-10DS-2V(50)	10	Board mounting	Female	2	2			SMT	2	Gold	-30 to 85	27pcs. (1magazine)	Socket; Straight; Specified packaging; Changed Finish
GO	DF11	543-2004-1 51	DF11Z-10DS-2V(51)	10	Board mounting	Female	2	2			SMT	2	Gold	-30 to 85	1reel (500pcs.)	Socket; Straight; No Heat resisting tape; Specified packaging; Changed Finish
GO	DF11	543-2004-1 52	DF11Z-10DS-2V(52)	10	Board mounting	Female	2	2			SMT	2	Gold	-30 to 85	1reel (500pcs.)	Socket; Straight; Heat resisting tape; Specified packaging; Changed Finish
GO	DF11	543-2021-0 21	DF11Z-12DP-2V(21)	12	Board mounting	Male	2	2			SMT	2	Tin	-30 to 85	1reel (500pcs.)	Header; Straight; Locating boss; Specified packaging
GO	DF11	543-2021-0 27	DF11Z-12DP-2V(27)	12	Board mounting	Male	2	2			SMT	2	Tin	-30 to 85	1reel (500pcs.)	Header; Straight; Locating boss; Suction cap for automatic PCB mounting; Specified packaging
GO	DF11	543-2005-4 20	DF11Z-12DS-2V(20)	12	Board mounting	Female	2	2			SMT	2	Tin	-30 to 85	24pcs. (1magazine)	Socket; Straight; Specified packaging
																Socket; Straight; Heat resisting

GO	DF11	543-2005-4 22	DF11Z-12DS-2V(22)	12	Board mounting	Female	2	2			SMT	2	Tin	-30 to 85	1reel (500pcs.)	tape; Specified packaging; Changed Finish
GO	DF11	543-2005-4 50	DF11Z-12DS-2V(50)	12	Board mounting	Female	2	2			SMT	2	Gold	-30 to 85	24pcs. (1magazine)	Socket; Straight; Specified packaging; Changed Finish
GO	DF11	543-2005-4 52	DF11Z-12DS-2V(52)	12	Board mounting	Female	2	2			SMT	2	Gold	-30 to 85	1reel (500pcs.)	Socket; Straight; Heat resisting tape; Specified packaging; Changed Finish
GO	DF11	543-2022-3 21	DF11Z-14DP-2V(21)	14	Board mounting	Male	2	2			SMT	2	Tin	-30 to 85	1reel (500pcs.)	Header; Straight; Locating boss; Specified packaging
GO	DF11	543-2022-3 27	DF11Z-14DP-2V(27)	14	Board mounting	Male	2	2			SMT	2	Tin	-30 to 85	1reel (500pcs.)	Header; Straight; Locating boss; Suction cap for automatic PCB mounting; Specified packaging
GO	DF11	543-2006-7 20	DF11Z-14DS-2V(20)	14	Board mounting	Female	2	2			SMT	2	Tin	-30 to 85	22pcs. (1magazine)	Socket; Straight; Specified packaging
GO	DF11	543-2006-7 22	DF11Z-14DS-2V(22)	14	Board mounting	Female	2	2			SMT	2	Tin	-30 to 85	1reel (500pcs.)	Socket; Straight; Heat resisting tape; Specified packaging; Changed Finish
GO	DF11	543-2006-7 50	DF11Z-14DS-2V(50)	14	Board mounting	Female	2	2			SMT	2	Gold	-30 to 85	22pcs. (1magazine)	Socket; Straight; Specified packaging; Changed Finish
GO	DF11	543-2006-7 52	DF11Z-14DS-2V(52)	14	Board mounting	Female	2	2			SMT	2	Gold	-30 to 85	1reel (500pcs.)	Socket; Straight; Heat resisting tape; Specified packaging; Changed Finish
GO	DF11	543-2006-7 54	DF11Z-14DS-2V(54)	14	Board mounting	Female	2	2			SMT	2	Gold	-30 to 85	1reel (500pcs.)	Socket; Straight; Specified packaging; Changed Finish
GO	DF11	543-2023-6 21	DF11Z-16DP-2V(21)	16	Board mounting	Male	2	2			SMT	2	Tin	-30 to 85	1reel (500pcs.)	Header; Straight; Locating boss; Specified packaging
GO	DF11	543-2023-6 27	DF11Z-16DP-2V(27)	16	Board mounting	Male	2	2			SMT	2	Tin	-30 to 85	1reel (500pcs.)	Header; Straight; Locating boss; Suction cap for automatic PCB mounting; Specified packaging
GO	DF11	543-2007-0 20	DF11Z-16DS-2V(20)	16	Board mounting	Female	2	2			SMT	2	Tin	-30 to 85	20pcs. (1magazine)	Socket; Straight; Specified packaging
GO	DF11	543-2007-0 22	DF11Z-16DS-2V(22)	16	Board mounting	Female	2	2			SMT	2	Tin	-30 to 85	1reel (500pcs.)	Socket; Straight; Heat resisting tape; Specified packaging; Changed Finish
GO	DF11	543-2007-0 50	DF11Z-16DS-2V(50)	16	Board mounting	Female	2	2			SMT	2	Gold	-30 to 85	20pcs. (1magazine)	Socket; Straight; Specified packaging; Changed Finish
GO	DF11	543-2007-0 52	DF11Z-16DS-2V(52)	16	Board mounting	Female	2	2			SMT	2	Gold	-30 to 85	1reel (500pcs.)	Socket; Straight; Heat resisting tape; Specified packaging; Changed Finish
GO	DF11	543-2024-9 21	DF11Z-18DP-2V(21)	18	Board mounting	Male	2	2			SMT	2	Tin	-30 to 85	1reel (500pcs.)	Header; Straight; Locating boss; Specified packaging
GO	DF11	543-2024-9 27	DF11Z-18DP-2V(27)	18	Board mounting	Male	2	2			SMT	2	Tin	-30 to 85	1reel (500pcs.)	Header; Straight; Locating boss; Suction cap for automatic PCB mounting; Specified packaging
GO	DF11	543-2008-2 20	DF11Z-18DS-2V(20)	18	Board mounting	Female	2	2			SMT	2	Tin	-30 to 85	18pcs. (1magazine)	Socket; Straight; Specified packaging
GO	DF11	543-2008-2 22	DF11Z-18DS-2V(22)	18	Board mounting	Female	2	2			SMT	2	Tin	-30 to 85	1reel (500pcs.)	Socket; Straight; Heat resisting tape; Specified packaging; Changed Finish
GO	DF11	543-2008-2 50	DF11Z-18DS-2V(50)	18	Board mounting	Female	2	2			SMT	2	Gold	-30 to 85	18pcs. (1magazine)	Socket; Straight; Specified packaging; Changed Finish
GO	DF11	543-2008-2 52	DF11Z-18DS-2V(52)	18	Board mounting	Female	2	2			SMT	2	Gold	-30 to 85	1reel (500pcs.)	Socket; Straight; Heat resisting tape; Specified packaging; Changed Finish

GO	DF11	543-2025-1 21	DF11Z-20DP-2V(21)	20	Board mounting	Male	2	2			SMT	2	Tin	-30 to 85	1reel (500pcs.)	Header; Straight; Locating boss; Specified packaging
GO	DF11	543-2025-1 27	DF11Z-20DP-2V(27)	20	Board mounting	Male	2	2			SMT	2	Tin	-30 to 85	1reel (500pcs.)	Header; Straight; Locating boss; Suction cap for automatic PCB mounting; Specified packaging
GO	DF11	543-2009-5 20	DF11Z-20DS-2V(20)	20	Board mounting	Female	2	2			SMT	2	Tin	-30 to 85	17pcs. (1magazine)	Socket; Straight; Specified packaging
GO	DF11	543-2009-5 21	DF11Z-20DS-2V(21)	20	Board mounting	Female	2	2			SMT	2	Tin	-30 to 85	1reel (500pcs.)	Socket; Straight; Specified packaging; Changed Finish
GO	DF11	543-2009-5 22	DF11Z-20DS-2V(22)	20	Board mounting	Female	2	2			SMT	2	Tin	-30 to 85	1reel (500pcs.)	Socket; Straight; Heat resisting tape; Specified packaging; Changed Finish
GO	DF11	543-2009-5 50	DF11Z-20DS-2V(50)	20	Board mounting	Female	2	2			SMT	2	Gold	-30 to 85	17pcs. (1magazine)	Socket; Straight; Specified packaging; Changed Finish
GO	DF11	543-2009-5 51	DF11Z-20DS-2V(51)	20	Board mounting	Female	2	2			SMT	2	Gold	-30 to 85	1reel (500pcs.)	Socket; Straight; Specified packaging; Changed Finish
GO	DF11	543-2009-5 52	DF11Z-20DS-2V(52)	20	Board mounting	Female	2	2			SMT	2	Gold	-30 to 85	1reel (500pcs.)	Socket; Straight; Heat resisting tape; Specified packaging; Changed Finish
GO	DF11	543-2026-4 21	DF11Z-22DP-2V(21)	22	Board mounting	Male	2	2			SMT	2	Tin	-30 to 85	1reel (500pcs.)	Header; Straight; Locating boss; Specified packaging
GO	DF11	543-2026-4 27	DF11Z-22DP-2V(27)	22	Board mounting	Male	2	2			SMT	2	Tin	-30 to 85	1reel (500pcs.)	Header; Straight; Locating boss; Suction cap for automatic PCB mounting; Specified packaging
GO	DF11	543-2010-4 20	DF11Z-22DS-2V(20)	22	Board mounting	Female	2	2			SMT	2	Tin	-30 to 85	16pcs. (1magazine)	Socket; Straight; Specified packaging
GO	DF11	543-2010-4 22	DF11Z-22DS-2V(22)	22	Board mounting	Female	2	2			SMT	2	Tin	-30 to 85	1reel (500pcs.)	Socket; Straight; Heat resisting tape; Specified packaging; Changed Finish
GO	DF11	543-2010-4 50	DF11Z-22DS-2V(50)	22	Board mounting	Female	2	2			SMT	2	Gold	-30 to 85	16pcs. (1magazine)	Socket; Straight; Specified packaging; Changed Finish
GO	DF11	543-2010-4 52	DF11Z-22DS-2V(52)	22	Board mounting	Female	2	2			SMT	2	Gold	-30 to 85	1reel (500pcs.)	Socket; Straight; Heat resisting tape; Specified packaging; Changed Finish
GO	DF11	543-2027-7 21	DF11Z-24DP-2V(21)	24	Board mounting	Male	2	2			SMT	2	Tin	-30 to 85	1reel (500pcs.)	Header; Straight; Locating boss; Specified packaging
GO	DF11	543-2027-7 27	DF11Z-24DP-2V(27)	24	Board mounting	Male	2	2			SMT	2	Tin	-30 to 85	1reel (500pcs.)	Header; Straight; Locating boss; Suction cap for automatic PCB mounting; Specified packaging
GO	DF11	543-2011-7 20	DF11Z-24DS-2V(20)	24	Board mounting	Female	2	2			SMT	2	Tin	-30 to 85	15pcs. (1magazine)	Socket; Straight; Specified packaging
GO	DF11	543-2011-7 21	DF11Z-24DS-2V(21)	24	Board mounting	Female	2	2			SMT	2	Tin	-30 to 85	1reel (500pcs.)	Socket; Straight; Specified packaging; Changed Finish
GO	DF11	543-2011-7 22	DF11Z-24DS-2V(22)	24	Board mounting	Female	2	2			SMT	2	Tin	-30 to 85	1reel (500pcs.)	Socket; Straight; Heat resisting tape; Specified packaging; Changed Finish
GO	DF11	543-2011-7 50	DF11Z-24DS-2V(50)	24	Board mounting	Female	2	2			SMT	2	Gold	-30 to 85	15pcs. (1magazine)	Socket; Straight; Specified packaging
GO	DF11	543-2011-7 52	DF11Z-24DS-2V(52)	24	Board mounting	Female	2	2			SMT	2	Gold	-30 to 85	1reel (500pcs.)	Socket; Straight; Heat resisting tape; Specified packaging; Changed Finish
GO	DF11	543-2028-0 21	DF11Z-26DP-2V(21)	26	Board mounting	Male	2	2			SMT	2	Tin	-30 to 85	1reel (500pcs.)	Header; Straight; Locating boss; Specified packaging
																Header; Straight; Locating boss;

GO	DF11	543-2028-0 27	DF11Z-26DP-2V(27)	26	Board mounting	Male	2	2			SMT	2	Tin	-30 to 85	1reel (500pcs.)	Suction cap for automatic PCB mounting; Specified packaging
GO	DF11	543-2012-0 20	DF11Z-26DS-2V(20)	26	Board mounting	Female	2	2			SMT	2	Tin	-30 to 85	14pcs. (1magazine)	Socket; Straight; Specified packaging
GO	DF11	543-2012-0 22	DF11Z-26DS-2V(22)	26	Board mounting	Female	2	2			SMT	2	Tin	-30 to 85	1reel (500pcs.)	Socket; Straight; Heat resisting tape; Specified packaging; Changed Finish
GO	DF11	543-2012-0 50	DF11Z-26DS-2V(50)	26	Board mounting	Female	2	2			SMT	2	Gold	-30 to 85	14pcs. (1magazine)	Socket; Straight; Specified packaging; Changed Finish
GO	DF11	543-2012-0 52	DF11Z-26DS-2V(52)	26	Board mounting	Female	2	2			SMT	2	Gold	-30 to 85	1reel (500pcs.)	Socket; Straight; Heat resisting tape; Specified packaging; Changed Finish
GO	DF11	543-2029-2 21	DF11Z-28DP-2V(21)	28	Board mounting	Male	2	2			SMT	2	Tin	-30 to 85	1reel (500pcs.)	Header; Straight; Specified packaging
GO	DF11	543-2029-2 27	DF11Z-28DP-2V(27)	28	Board mounting	Male	2	2			SMT	2	Tin	-30 to 85	1reel (500pcs.)	Header; Straight; Locating boss; Suction cap for automatic PCB mounting; Specified packaging
GO	DF11	543-2013-2 20	DF11Z-28DS-2V(20)	28	Board mounting	Female	2	2			SMT	2	Tin	-30 to 85	13pcs. (1magazine)	Socket; Straight; Specified packaging
GO	DF11	543-2013-2 22	DF11Z-28DS-2V(22)	28	Board mounting	Female	2	2			SMT	2	Tin	-30 to 85	1reel (500pcs.)	Socket; Straight; Heat resisting tape; Specified packaging; Changed Finish
GO	DF11	543-2013-2 50	DF11Z-28DS-2V(50)	28	Board mounting	Female	2	2			SMT	2	Gold	-30 to 85	13pcs. (1magazine)	Socket; Straight; Specified packaging; Changed Finish
GO	DF11	543-2013-2 52	DF11Z-28DS-2V(52)	28	Board mounting	Female	2	2			SMT	2	Gold	-30 to 85	1reel (500pcs.)	Socket; Straight; Heat resisting tape; Specified packaging; Changed Finish
GO	DF11	543-2030-1 21	DF11Z-30DP-2V(21)	30	Board mounting	Male	2	2			SMT	2	Tin	-30 to 85	1reel (500pcs.)	Header; Straight; Locating boss; Specified packaging
GO	DF11	543-2030-1 27	DF11Z-30DP-2V(27)	30	Board mounting	Male	2	2			SMT	2	Tin	-30 to 85	1reel (500pcs.)	Header; Straight; Locating boss; Suction cap for automatic PCB mounting; Specified packaging
GO	DF11	543-2014-5 20	DF11Z-30DS-2V(20)	30	Board mounting	Female	2	2			SMT	2	Tin	-30 to 85	12pcs. (1magazine)	Socket; Straight; Specified packaging; Changed Finish
GO	DF11	543-2014-5 22	DF11Z-30DS-2V(22)	30	Board mounting	Female	2	2			SMT	2	Tin	-30 to 85	1reel (500pcs.)	Socket; Straight; Heat resisting tape; Specified packaging; Changed Finish
GO	DF11	543-2014-5 50	DF11Z-30DS-2V(50)	30	Board mounting	Female	2	2			SMT	2	Gold	-30 to 85	12pcs. (1magazine)	Socket; Straight; Specified packaging; Changed Finish
GO	DF11	543-2014-5 51	DF11Z-30DS-2V(51)	30	Board mounting	Female	2	2			SMT	2	Gold	-30 to 85	1reel (500pcs.)	Socket; Straight; No Heat resisting tape; Specified packaging; Changed Finish
GO	DF11	543-2014-5 52	DF11Z-30DS-2V(52)	30	Board mounting	Female	2	2			SMT	2	Gold	-30 to 85	1reel (500pcs.)	Socket; Straight; Heat resisting tape; Specified packaging; Changed Finish
GO	DF11	543-2031-4 21	DF11Z-32DP-2V(21)	32	Board mounting	Male	2	2			SMT	2	Tin	-30 to 85	1reel (500pcs.)	Header; Straight; Locating boss; Specified packaging
GO	DF11	543-2031-4 27	DF11Z-32DP-2V(27)	32	Board mounting	Male	2	2			SMT	2	Tin	-30 to 85	1reel (500pcs.)	Header; Straight; Locating boss; Suction cap for automatic PCB mounting; Specified packaging
GO	DF11	543-2015-8 20	DF11Z-32DS-2V(20)	32	Board mounting	Female	2	2			SMT	2	Tin	-30 to 85	12pcs. (1magazine)	Socket; Straight; Specified packaging
GO	DF11	543-2015-8 22	DF11Z-32DS-2V(22)	32	Board	Female	2	2			SMT	2	Tin	-30 to 85	1reel	Socket; Straight; Heat resisting tape; Specified packaging;

					mounting										(500pcs.)	Changed Finish
GO	DF11	543-2015-8 50	DF11Z-32DS-2V(50)	32	Board mounting	Female	2	2			SMT	2	Gold	-30 to 85	12pcs. (1magazine)	Socket; Straight; Specified packaging; Changed Finish
GO	DF11	543-2015-8 52	DF11Z-32DS-2V(52)	32	Board mounting	Female	2	2			SMT	2	Gold	-30 to 85	1reel (500pcs.)	Socket; Straight; Heat resisting tape; Specified packaging; Changed Finish
GO	DF11	543-2032-7 27	DF11Z-40DP-2V(27)	40	Board mounting	Male	2	2			SMT	2	Tin	-30 to 85	1reel (500pcs.)	Header; Straight; Locating boss; Suction cap for automatic PCB mounting; Specified packaging
GO	DF11	543-2016-0 20	DF11Z-40DS-2V(20)	40	Board mounting	Female	2	2			SMT	2	Tin	-30 to 85	10pcs. (1magazine)	Socket; Straight; Specified packaging
GO	DF11	543-2016-0 22	DF11Z-40DS-2V(22)	40	Board mounting	Female	2	2			SMT	2	Tin	-30 to 85	1reel (500pcs.)	Socket; Straight; Heat resisting tape; Specified packaging; Changed Finish
GO	DF11	543-2016-0 50	DF11Z-40DS-2V(50)	40	Board mounting	Female	2	2			SMT	2	Gold	-30 to 85	10pcs. (1magazine)	Socket; Straight; Specified packaging
GO	DF11	543-2016-0 52	DF11Z-40DS-2V(52)	40	Board mounting	Female	2	2			SMT	2	Gold	-30 to 85	1reel (500pcs.)	Socket; Straight; Heat resisting tape; Specified packaging; Changed Finish
GO	DF11	543-2017-3 21	DF11Z-4DP-2V(21)	4	Board mounting	Male	2	2			SMT	2	Tin	-30 to 85	1reel (500pcs.)	Header; Straight; Locating boss; Specified packaging
GO	DF11	543-2017-3 27	DF11Z-4DP-2V(27)	4	Board mounting	Male	2	2			SMT	2	Tin	-30 to 85	1reel (500pcs.)	Header; Straight; Locating boss; Suction cap for automatic PCB mounting; Specified packaging
GO	DF11	543-2001-3 20	DF11Z-4DS-2V(20)	4	Board mounting	Female	2	2			SMT	2	Tin	-30 to 85	41pcs. (1magazine)	Socket; Straight; Specified packaging
GO	DF11	543-2001-3 22	DF11Z-4DS-2V(22)	4	Board mounting	Female	2	2			SMT	2	Tin	-30 to 85	1reel (500pcs.)	Socket; Straight; Heat resisting tape; Specified packaging; Changed Finish
GO	DF11	543-2001-3 50	DF11Z-4DS-2V(50)	4	Board mounting	Female	2	2			SMT	2	Gold	-30 to 85	41pcs. (1magazine)	Socket; Straight; Specified packaging; Changed Finish
GO	DF11	543-2001-3 52	DF11Z-4DS-2V(52)	4	Board mounting	Female	2	2			SMT	2	Gold	-30 to 85	1reel (500pcs.)	Socket; Straight; Heat resisting tape; Specified packaging; Changed Finish
GO	DF11	543-2018-6 21	DF11Z-6DP-2V(21)	6	Board mounting	Male	2	2			SMT	2	Tin	-30 to 85	1reel (500pcs.)	Header; Straight; Locating boss; Specified packaging
GO	DF11	543-2018-6 27	DF11Z-6DP-2V(27)	6	Board mounting	Male	2	2			SMT	2	Tin	-30 to 85	1reel (500pcs.)	Header; Straight; Locating boss; Suction cap for automatic PCB mounting; Specified packaging
GO	DF11	543-2002-6 20	DF11Z-6DS-2V(20)	6	Board mounting	Female	2	2			SMT	2	Tin	-30 to 85	35pcs. (1magazine)	Socket; Straight; Specified packaging
GO	DF11	543-2002-6 22	DF11Z-6DS-2V(22)	6	Board mounting	Female	2	2			SMT	2	Tin	-30 to 85	1reel (500pcs.)	Socket; Straight; Heat resisting tape; Specified packaging; Changed Finish
GO	DF11	543-2002-6 50	DF11Z-6DS-2V(50)	6	Board mounting	Female	2	2			SMT	2	Gold	-30 to 85	35pcs. (1magazine)	Socket; Straight; Specified packaging; Changed Finish
GO	DF11	543-2002-6 52	DF11Z-6DS-2V(52)	6	Board mounting	Female	2	2			SMT	2	Gold	-30 to 85	1reel (500pcs.)	Socket; Straight; Heat resisting tape; Specified packaging; Changed Finish
GO	DF11	543-2019-9 21	DF11Z-8DP-2V(21)	8	Board mounting	Male	2	2			SMT	2	Tin	-30 to 85	1reel (500pcs.)	Header; Straight; Locating boss; Specified packaging
GO	DF11	543-2019-9 27	DF11Z-8DP-2V(27)	8	Board mounting	Male	2	2			SMT	2	Tin	-30 to 85	1reel (500pcs.)	Header; Straight; Locating boss; Suction cap for automatic PCB mounting; Specified packaging

GO	DF11	543-2003-9 20	DF11Z-8DS-2V(20)	8	Board mounting	Female	2	2			SMT	2	Tin	-30 to 85	30pcs. (1magazine)	Socket; Straight; Specified packaging; Changed Finish
GO	DF11	543-2003-9 22	DF11Z-8DS-2V(22)	8	Board mounting	Female	2	2			SMT	2	Tin	-30 to 85	1reel (500pcs.)	Socket; Straight; Heat resisting tape; Specified packaging; Changed Finish
GO	DF11	543-2003-9 50	DF11Z-8DS-2V(50)	8	Board mounting	Female	2	2			SMT	2	Gold	-30 to 85	30pcs. (1magazine)	Socket; Straight; Specified packaging; Changed Finish
GO	DF11	543-2003-9 52	DF11Z-8DS-2V(52)	8	Board mounting	Female	2	2			SMT	2	Gold	-30 to 85	1reel (500pcs.)	Socket; Straight; Heat resisting tape; Specified packaging; Changed Finish

1.All information, such as connector specifications, dimensions, etc, on the web site are reference only. Connector information can be changed without notice.

Please request the latest specification and DWG from HRS before you design in our products.

Please confirm the RoHS status using the RoHS Compliant Part Number Search on this web site.

2.Please check the availability of Non-RoHS compliant products before ordering. Non-RoHS compliant products may be discontinued.

***Product specifications on this website are subject to change without notice. Contact Hirose for latest specifications, drawings, or availabilities.**

**This page is best viewed using Internet Explorer 5.5 or higher.*

Copyright(C) 1990-2007 HIROSE ELECTRIC CO., LTD.