



## Precision CMOS Analog Switches

### FEATURES

- $\pm 15\text{-V}$  Analog Signal Range
- On-Resistance— $r_{DS(on)}$ :  $15\ \Omega$
- Fast Switching Action— $t_{ON}$ :  $100\ \text{ns}$
- TTL and CMOS Compatible
- MSOP-8 and SOIC-8 Packaging

### BENEFITS

- Wide Dynamic Range
- Low Signal Errors and Distortion
- Break-Before-Make Switching Action
- Simple Interfacing
- Reduced Board Space
- Improved Reliability

### APPLICATIONS

- Precision Test Equipment
- Precision Instrumentation
- Battery Powered Systems
- Sample-and-Hold Circuits
- Military Radios
- Guidance and Control Systems
- Hard Disk Drives

### DESCRIPTION

The DG417B/418B/419B monolithic CMOS analog switches were designed to provide high performance switching of analog signals. Combining low power, low leakages, high speed, low on-resistance and small physical size, the DG417B series is ideally suited for portable and battery powered industrial and military applications requiring high performance and efficient use of board space.

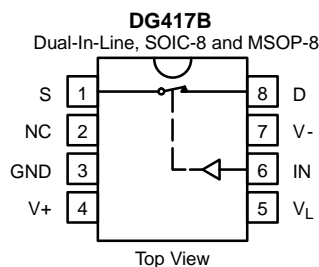
high voltage silicon gate (HVSG) process. Break-before-make is guaranteed for the DG419B, which is an SPDT configuration. An epitaxial layer prevents latchup.

Each switch conducts equally well in both directions when on, and blocks up to the power supply level when off.

To achieve high-voltage ratings and superior switching performance, the DG417B series is built on Vishay Siliconix's

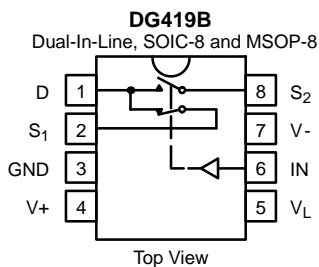
The DG417B and DG418B respond to opposite control logic levels as shown in the Truth Table.

### FUNCTIONAL BLOCK DIAGRAM AND PIN CONFIGURATION



TRUTH TABLE		
Logic	DG417B	DG418B
0	ON	OFF
1	OFF	ON

Logic "0" =  $\leq 0.8\ \text{V}$ , Logic "1" =  $\geq 2.4\ \text{V}$



TRUTH TABLE—DG419B		
Logic	SW <sub>1</sub>	SW <sub>2</sub>
0	ON	OFF
1	OFF	ON

Logic "0" =  $\leq 0.8\ \text{V}$ , Logic "1" =  $\geq 2.4\ \text{V}$



ORDERING INFORMATION		
Temp Range	Package	Part Number
<b>DG417B/418B</b>		
-40 to 85°C	8-Pin Plastic MiniDIP	DG417BDJ
		DG418BDJ
	8-Pin Narrow SOIC	DG417BDY
		DG418BDY
	8-Pin MSOP	DG417BDQ
		DG418BDQ
-55 to 125°C	8-Pin CerDIP	DG417BAK, DG417BAK/883
		DG418BAK, DG418BAK/883
<b>DG419B</b>		
-40 to 85°C	8-Pin Plastic MiniDIP	DG419BDJ
	8-Pin Narrow SOIC	DG419BDY
	8-Pin MSOP	DG419BDQ
-55 to 125°C	8-Pin CerDIP	DG419BAK, DG419BAK/883

NOTE: SMD product is dual marked with /883 number.

### ABSOLUTE MAXIMUM RATINGS

V <sub>-</sub> .....	-20 V
V <sub>+</sub> .....	20 V
GND .....	25 V
V <sub>L</sub> .....	(GND -0.3 V) to (V <sub>+</sub> ) + 0.3 V
Digital Inputs <sup>a</sup> V <sub>S</sub> , V <sub>D</sub> .....	(V <sub>-</sub> ) -2 V to (V <sub>+</sub> ) + 2 V or 30 mA, whichever occurs first
Current, (Any Terminal) Continuous .....	30 mA
Current (S or D) Pulsed 1 ms, 10% duty cycle .....	100 mA
Storage Temperature .....	-65 to 150°C
Power Dissipation (Package) <sup>b</sup>	

8-Pin Plastic MiniDIP <sup>c</sup> .....	400 mW
8-Pin Narrow SOIC <sup>c</sup> .....	400 mW
8-Pin MSOP <sup>d</sup> .....	400 mW
8-Pin CerDIP <sup>e</sup> .....	600 mW

#### Notes:

- Signals on S<sub>X</sub>, D<sub>X</sub>, or IN<sub>X</sub> exceeding V<sub>+</sub> or V<sub>-</sub> will be clamped by internal diodes. Limit forward diode current to maximum current ratings.
- All leads welded or soldered to PC Board.
- Derate 5.3 mW/°C above 75°C
- Derate 4 mW/°C above 70°C
- Derate 8 mW/°C above 75°C

### SCHEMATIC DIAGRAM (TYPICAL CHANNEL)

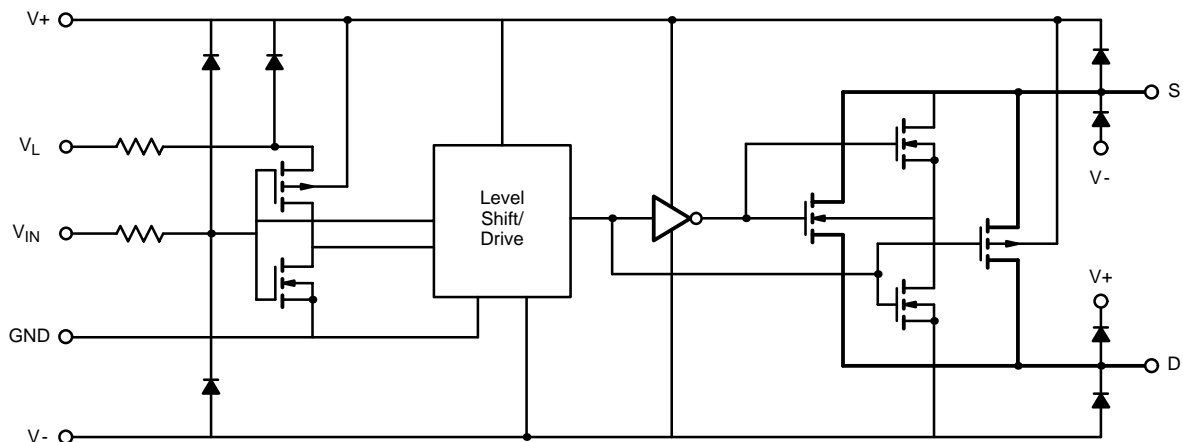


FIGURE 1.



SPECIFICATIONS <sup>a</sup>											
Parameter	Symbol	Test Conditions Unless Otherwise Specified			Temp <sup>b</sup>	Typ <sup>c</sup>	A Suffix -55 to 125°C		D Suffix -40 to 85°C		Unit
		V <sub>+</sub> = 15 V, V <sub>-</sub> = -15 V V <sub>L</sub> = 5 V, V <sub>IN</sub> = 2.4 V, 0.8 V <sup>f</sup>					Min <sup>d</sup>	Max <sup>d</sup>	Min <sup>d</sup>	Max <sup>d</sup>	
<b>Analog Switch</b>											
Analog Signal Range <sup>e</sup>	V <sub>ANALOG</sub>				Full		-15	15	-15	15	V
Drain-Source On-Resistance	r <sub>DS(on)</sub>	I <sub>S</sub> = -10 mA, V <sub>D</sub> = ±12.5 V V <sub>+</sub> = 13.5 V, V <sub>-</sub> = -13.5 V			Room Full	15		25 34		25 29	Ω
Switch Off Leakage Current	I <sub>S(off)</sub>	V <sub>+</sub> = 16.5 V, V <sub>-</sub> = -16.5 V V <sub>D</sub> = ±15.5 V V <sub>S</sub> = ±15.5 V			Room Full	-0.1	-0.25 -20	0.25 20	-0.25 -5	0.25 5	nA
					DG417B DG418B	Room Full	-0.1	-0.25 -20	0.25 20	-0.25 -5	
	DG419B				Room Full	-0.1	-0.75 -60	0.75 60	-0.75 -12	0.75 12	
Channel On Leakage Current	I <sub>D(on)</sub>	V <sub>+</sub> = 16.5 V, V <sub>-</sub> = -16.5 V V <sub>S</sub> = V <sub>D</sub> = ±15.5 V			DG417B DG418B	Room Full	-0.4	-0.4 -40	0.4 40	-0.4 -10	0.4 10
					DG419B	Room Full	-0.4	-0.75 -60	0.75 60	-0.75 -12	0.75 12
<b>Digital Control</b>											
Input Current V <sub>IN</sub> Low	I <sub>IL</sub>				Full		-0.5	0.5	-0.5	0.5	μA
Input Current V <sub>IN</sub> High	I <sub>IH</sub>				Full		-0.5	0.5	-0.5	0.5	
<b>Dynamic Characteristics</b>											
Turn-On Time	t <sub>ON</sub>	R <sub>L</sub> = 300 Ω, C <sub>L</sub> = 35 pF V <sub>S</sub> = ±10 V See Switching Time Test Circuit			DG417B DG418B	Room Full	62		89 106		89 99
Turn-Off Time	t <sub>OFF</sub>				DG417B DG418B	Room Full	53		80 88		80 86
Transition Time	t <sub>TRANS</sub>	R <sub>L</sub> = 300 Ω, C <sub>L</sub> = 35 pF V <sub>S1</sub> = ±10 V, V <sub>S2</sub> = ∓10 V			DG419B	Room Full	60		87 96		87 93
Break-Before-Make Time Delay	t <sub>D</sub>	R <sub>L</sub> = 300 Ω, C <sub>L</sub> = 35 pF V <sub>S1</sub> = V <sub>S2</sub> = ±10 V			DG419B	Room	16	3		3	
Charge Injection	Q	C <sub>L</sub> = 10 nF, V <sub>gen</sub> = 0 V, R <sub>gen</sub> = 0 Ω			Room	4					pC
Off-Isolation <sup>e</sup>	OIRR	R <sub>L</sub> = 50 Ω, C <sub>L</sub> = 5 nF, f = 1 MHz			Room	-86					dB
Channel-To-Channel Crosstalk <sup>e</sup>	X <sub>TALK</sub>				DG419B	Room	-87				
Source Off Capacitance	C <sub>S(off)</sub>	f = 1 MHz, V <sub>S</sub> = 0 V					Room	12			
Drain Off Capacitance	C <sub>D(off)</sub>				DG417B DG418B	Room	12				
Channel On Capacitance	C <sub>D(on)</sub>				DG417B DG418B	Room	50				
		DG419B	Room	57							
<b>Power Supplies</b>											
Positive Supply Current	I <sub>+</sub>	V <sub>+</sub> = 16.5 V, V <sub>-</sub> = -16.5 V V <sub>IN</sub> = 0 or 5 V			Room Full	0.001		1 5		1 5	μA
Negative Supply Current	I <sub>-</sub>				Room Full	-0.001	-1 -5		-1 -5		
Logic Supply Current	I <sub>L</sub>				Room Full	0.001		1 5		1 5	
Ground Current	I <sub>GND</sub>				Room Full	-0.000 1	-1 -5		-1 -5		



SPECIFICATIONS <sup>a</sup> FOR UNIPOLAR SUPPLIES									
Parameter	Symbol	Test Conditions Unless Otherwise Specified $V_+ = 12\text{ V}, V_- = 0\text{ V}$ $V_L = 5\text{ V}, V_{IN} = 2.4\text{ V}, 0.8\text{ V}^f$	Temp <sup>b</sup>	Typ <sup>c</sup>	A Suffix -55 to 125°C		D Suffix -40 to 85°C		Unit
					Min <sup>d</sup>	Max <sup>d</sup>	Min <sup>d</sup>	Max <sup>d</sup>	
<b>Analog Switch</b>									
Analog Signal Range <sup>e</sup>	$V_{ANALOG}$		Full		0	12	0	12	V
Drain-Source On-Resistance	$r_{DS(on)}$	$I_S = -10\text{ mA}, V_D = 3.8\text{ V}$ $V_+ = 10.8\text{ V}$	Room Full	26		35 52		35 45	$\Omega$
<b>Dynamic Characteristics</b>									
Turn-On Time	$t_{ON}$	$R_L = 300\ \Omega, C_L = 35\text{ pF}, V_S = 8\text{ V}$ See Switching Time Test Circuit	Room Full	100		125 155		125 143	ns
Turn-Off Time	$t_{OFF}$		Room Full	38		66 73		66 69	
Break-Before-Make Time Delay	$t_D$	$R_L = 300\ \Omega, C_L = 35\text{ pF}$	Room	62	25		25		
Transition Time	$t_{TRANS}$	$R_L = 300\ \Omega, C_L = 35\text{ pF}$ $V_{S1} = 0\text{ V}, 8\text{ V}, V_{S2} = 8\text{ V}, 0\text{ V}$	Room Full	95		119 153		119 141	
Charge Injection	Q	$C_L = 10\text{ nF}, V_{gen} = 0\text{ V}, R_{gen} = 0\ \Omega$	Room	3					pC
<b>Power Supplies</b>									
Positive Supply Current	$I_+$	$V_+ = 13.2\text{ V}, V_L = 5.25\text{ V}$ $V_{IN} = 0\text{ or }5\text{ V}$	Room Full	0.001		1 5		1 5	$\mu\text{A}$
Negative Supply Current	$I_-$		Room	-0.001	-1 -5		-1 -5		
Logic Supply Current	$I_L$		Room	0.001		1 5		1 5	
Ground Current	$I_{GND}$		Room	-0.001	-1 -5		-1 -5		

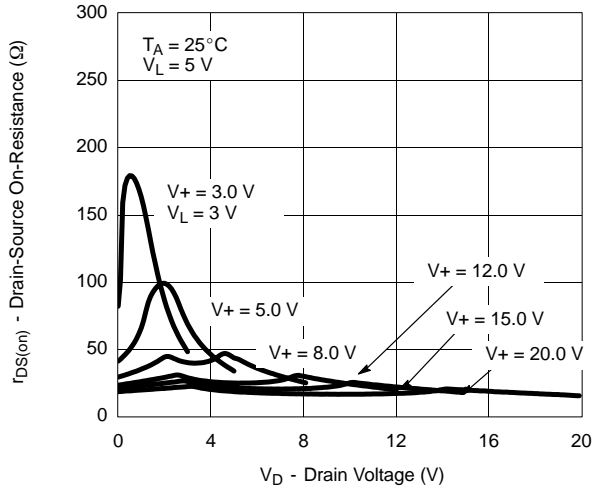
Notes:

- a. Refer to PROCESS OPTION FLOWCHART.
- b. Room = 25°C, Full = as determined by the operating temperature suffix.
- c. Typical values are for DESIGN AID ONLY, not guaranteed nor subject to production testing.
- d. The algebraic convention whereby the most negative value is a minimum and the most positive a maximum, is used in this data sheet.
- e. Guaranteed by design, not subject to production test.
- f.  $V_{IN}$  = input voltage to perform proper function.

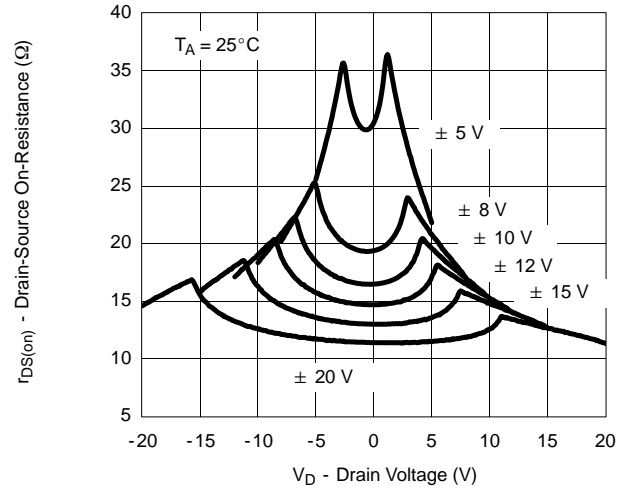


**TYPICAL CHARACTERISTICS (25°C UNLESS NOTED)**

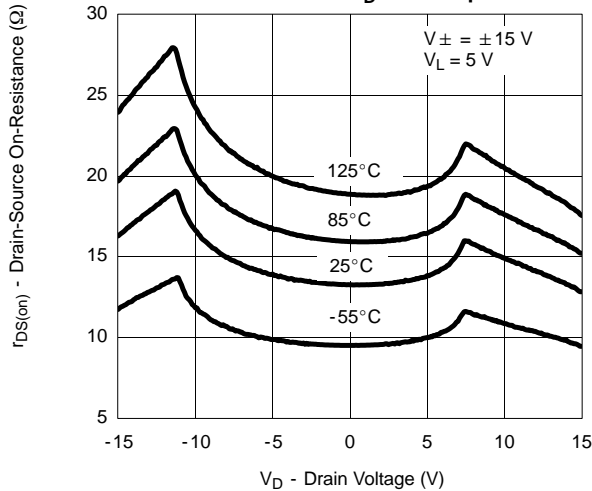
**On-Resistance vs.  $V_D$  and Unipolar Supply Voltage**



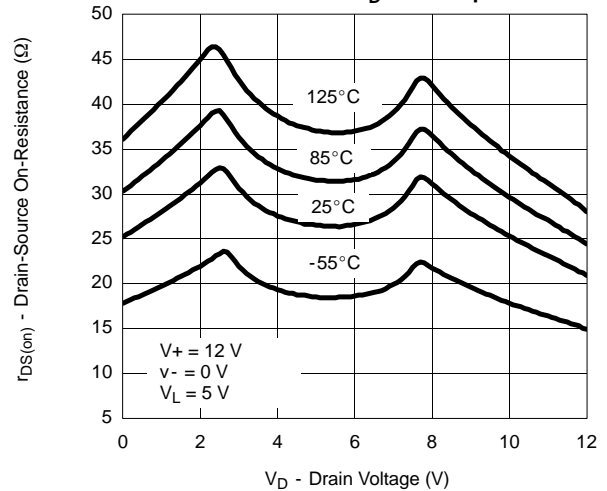
**On-Resistance vs.  $V_D$  and Dual Supply Voltage**



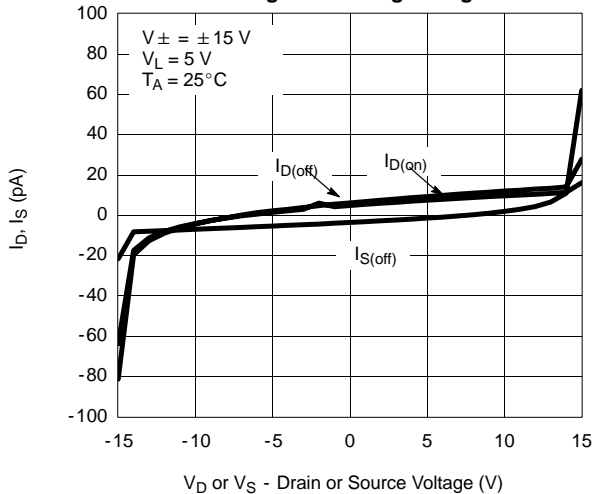
**On-Resistance vs.  $V_D$  and Temperature**



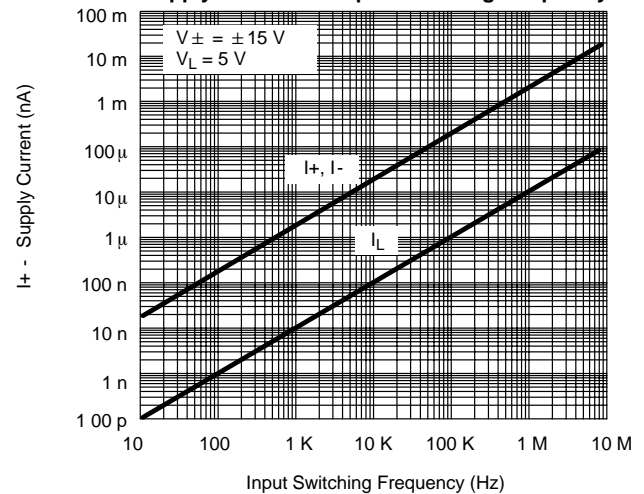
**On-Resistance vs.  $V_D$  and Temperature**



**Leakage vs. Analog Voltage**

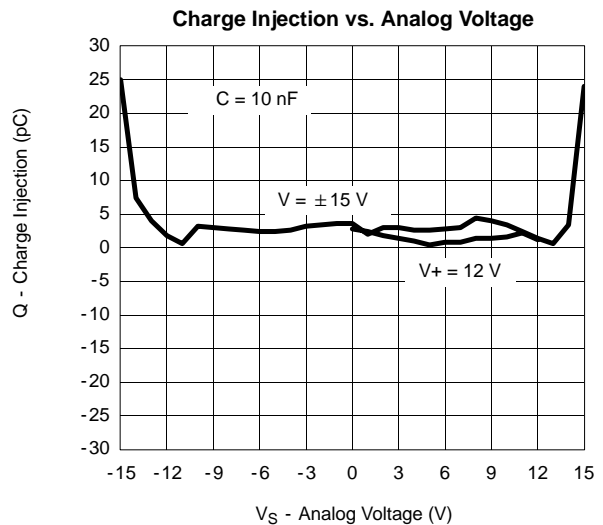
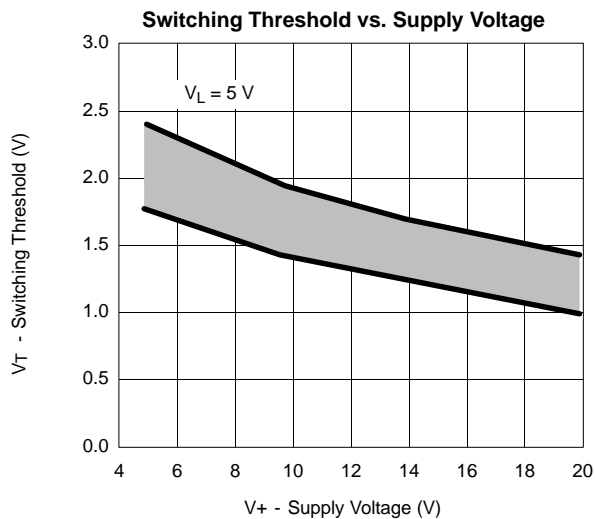
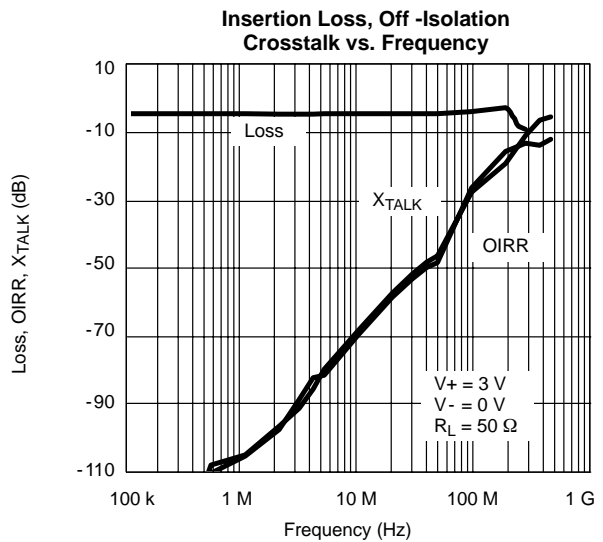
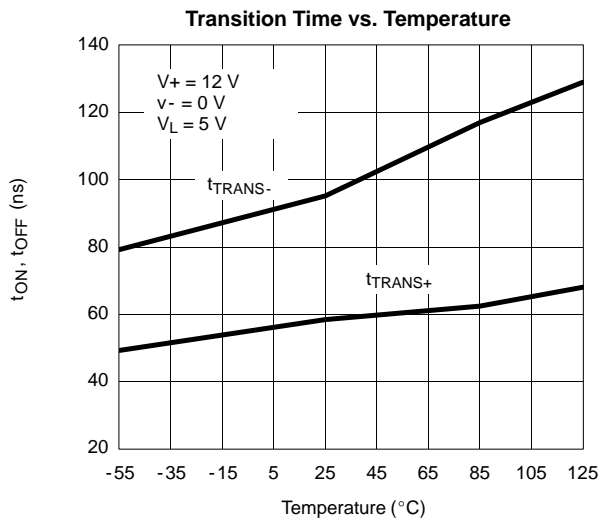
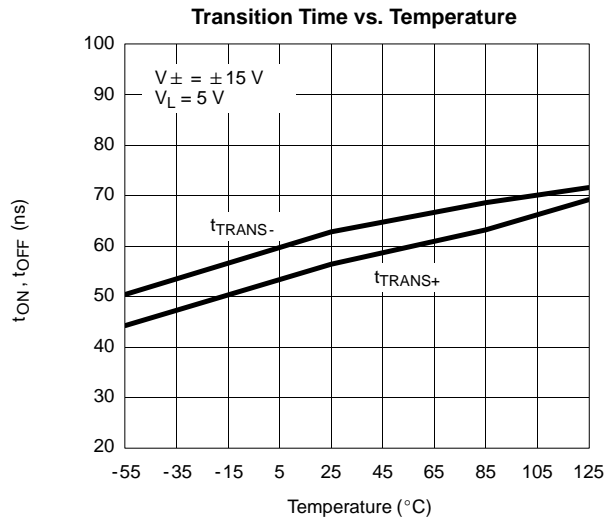
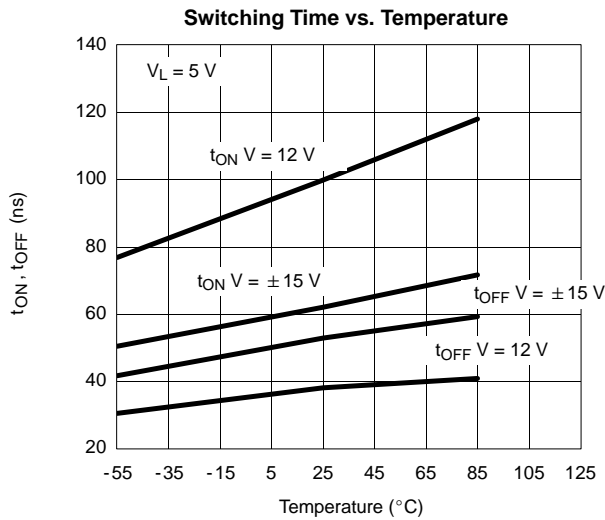


**Supply Current vs. Input Switching Frequency**



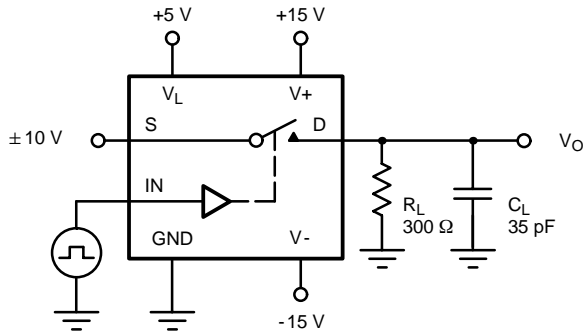


**TYPICAL CHARACTERISTICS (25°C UNLESS NOTED)**



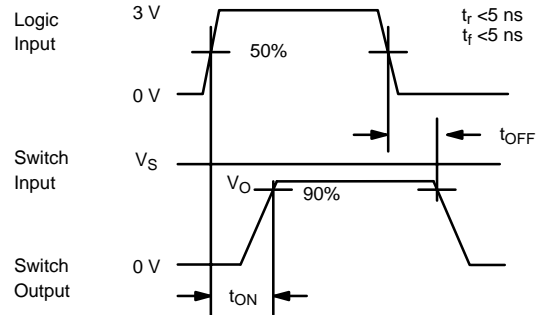
**TEST CIRCUITS**

$V_O$  is the steady state output with the switch on.



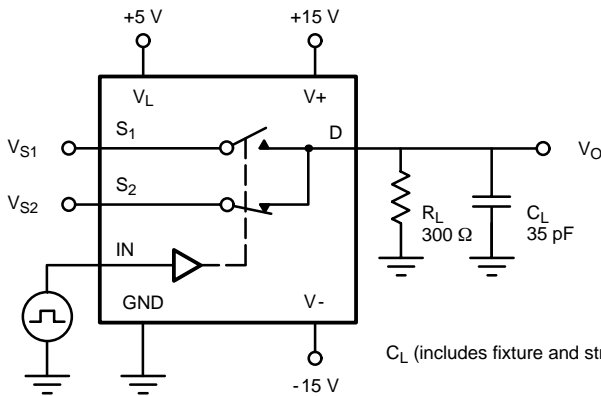
$C_L$  (includes fixture and stray capacitance)

$$V_O = V_S \frac{R_L}{R_L + r_{DS(on)}}$$

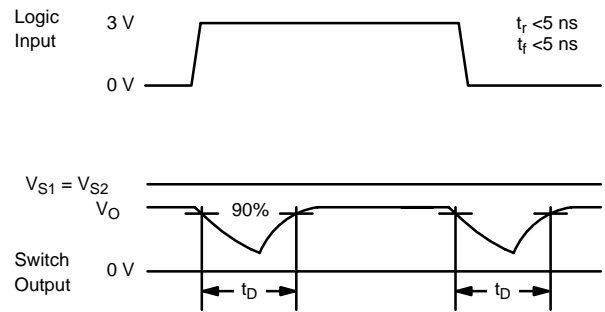


Note: Logic input waveform is inverted for switches that have the opposite logic sense.

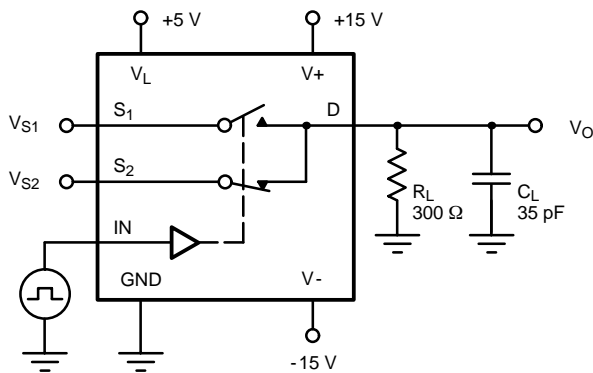
**FIGURE 2. Switching Time (DG417B/418B)**



$C_L$  (includes fixture and stray capacitance)

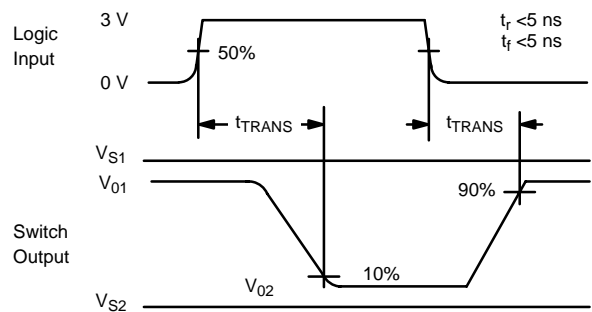


**FIGURE 3. Break-Before-Make (DG419B)**



$C_L$  (includes fixture and stray capacitance)

$$V_O = V_S \frac{R_L}{R_L + r_{DS(on)}}$$



**FIGURE 4. Transition Time (DG419B)**

**TEST CIRCUITS**

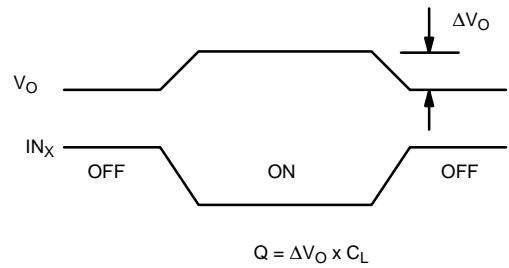
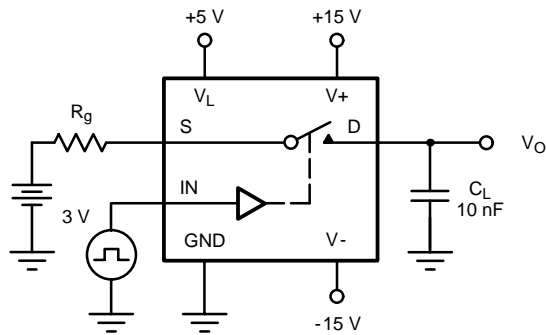


FIGURE 5. Charge Injection

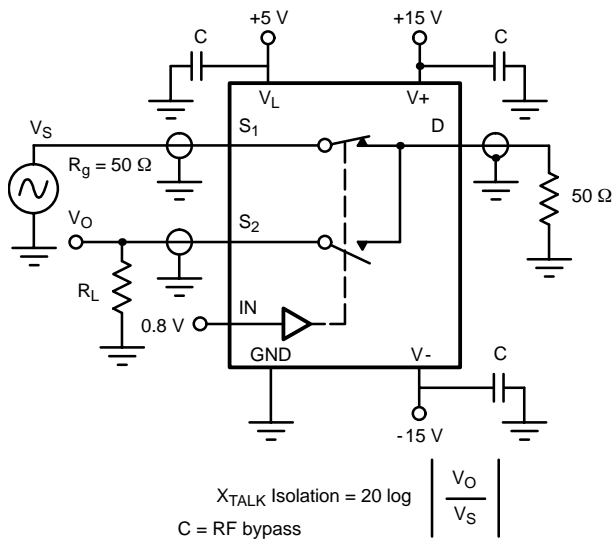


FIGURE 6. Crosstalk (DG419B)

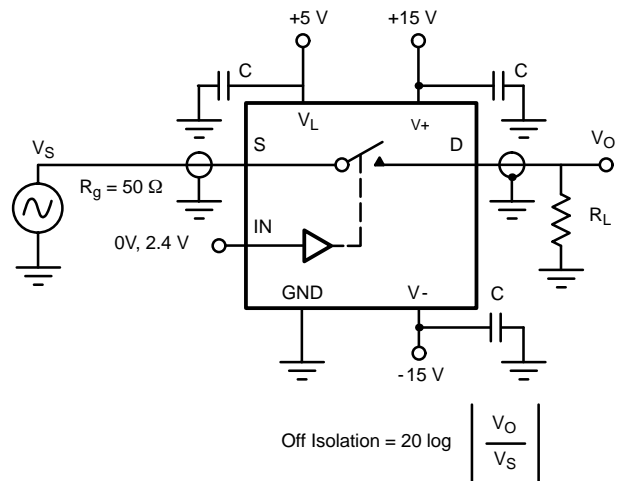


FIGURE 7. Off Isolation

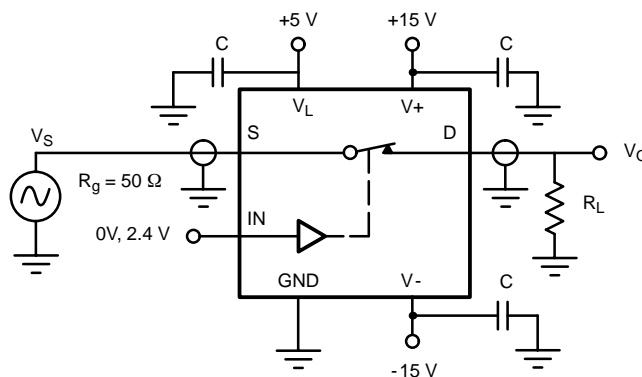


FIGURE 8. Insertion Loss



**TEST CIRCUITS**

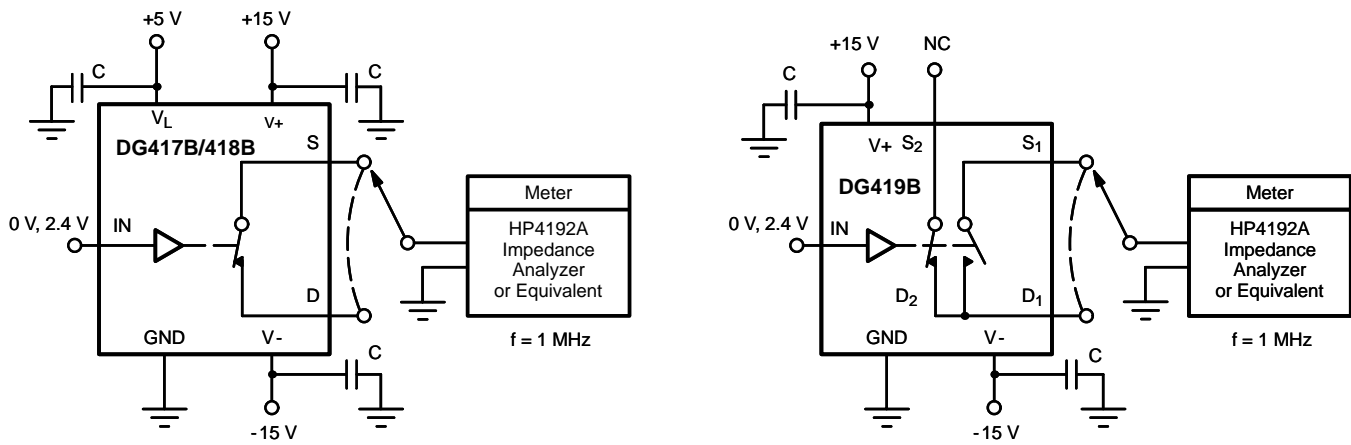


FIGURE 9. Source/Drain Capacitances



## Notice

Specifications of the products displayed herein are subject to change without notice. Vishay Intertechnology, Inc., or anyone on its behalf, assumes no responsibility or liability for any errors or inaccuracies.

Information contained herein is intended to provide a product description only. No license, express or implied, by estoppel or otherwise, to any intellectual property rights is granted by this document. Except as provided in Vishay's terms and conditions of sale for such products, Vishay assumes no liability whatsoever, and disclaims any express or implied warranty, relating to sale and/or use of Vishay products including liability or warranties relating to fitness for a particular purpose, merchantability, or infringement of any patent, copyright, or other intellectual property right.

The products shown herein are not designed for use in medical, life-saving, or life-sustaining applications. Customers using or selling these products for use in such applications do so at their own risk and agree to fully indemnify Vishay for any damages resulting from such improper use or sale.