

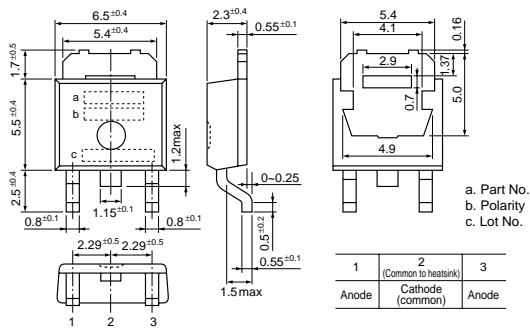
4-4-2 2 Chip

Part No.	V _{RM} (V)	I _o (A)	V _F (V)	I _R (mA)	Package	Fig. No.
SPJ-63S	30	6.0	0.45	3.0	Surface mount (D pack)	1
FMJ-23L		10	0.45	5.0	TO-220F	2
FMJ-2203		20	0.45	10		
FMJ-2303		30	0.45	15		
FMB-24	6.0	4.0	0.55	5.0	TO-220F	1
SPB-64S		0.55	3.5	Surface mount (D pack)		
FMB-24M	10	0.55	5.0	TO-220F	2	
FMW-24L		0.55	5.0			
FMB-24L		0.55	5.0			
FME-2104		0.60	0.5			
FMB-34S	40	12	0.58	5.0	FM80	4
FMW-24H		0.55	7.5	TO-220F	2	
FMB-24H			7.5			
FMB-34		15	0.55	10	FM80	4
MPE-24H			0.60	0.75	TO-220S	3
FME-24H		20	0.60	0.75	TO-220F	2
FMB-2204			0.55	10		
FMW-2204			0.55	10		
FMB-2304	0.55		15			
FMB-34M	30	0.55	20	FM80	4	

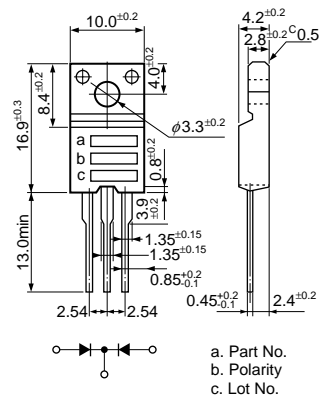
Part No.	V _{RM} (V)	I _o (A)	V _F (V)	I _R (mA)	Package	Fig. No.
FMB-26	60	4.0	0.62	1.0	TO-220F	2
SPB-66S		6.0	0.65	1.0	Surface mount (D pack)	1
FMB-26L		10	0.62	2.5	TO-220F	2
FME-2106			0.72	1.0		
FMB-36		15	0.62	5.0	FM80	4
FMB-2206		20	0.7	8.0	TO-220F	2
FMB-36M	0.62		10.0	FM80	4	
FMB-2306	90	30	0.7	8.0	TO-220F	2
FMB-29			4.0	0.81	3.0	
FMB-29L		8.0	0.81	5.0		
FMB-39		15	0.81	10	FM80	
FMB-39M	0.81		15	FM80		
MPE-29G	100	20	0.85	1.0	TO-220S	3
FME-220A			0.85	1.0	TO-220F	2
FME-230A		30	0.85	1.5	TO-220F	

External Dimensions

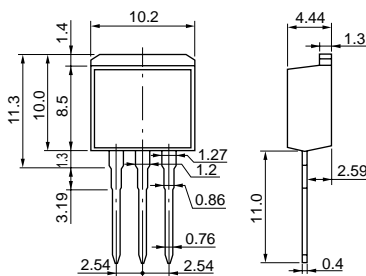
• No. 1 Surface Mount (D pack)



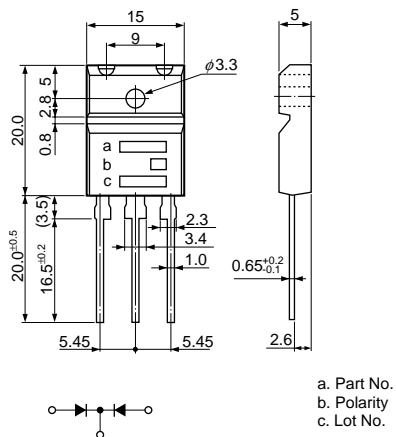
• No. 2 (TO-220F)



• No. 3 (TO-220S)



• No. 4 (FM80)



(unit: mm)